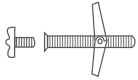


Clothing Display Kits

Please Note:

For mounting on sheet rock/drywall, we recommend using 3/16" Molly bolts or Toggle bolts.

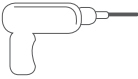


Toggle Bolts



Molly Bolts

Recommended Tools:



Hand Saw



Metric #2.5 & #3



Phillips Screw Driver

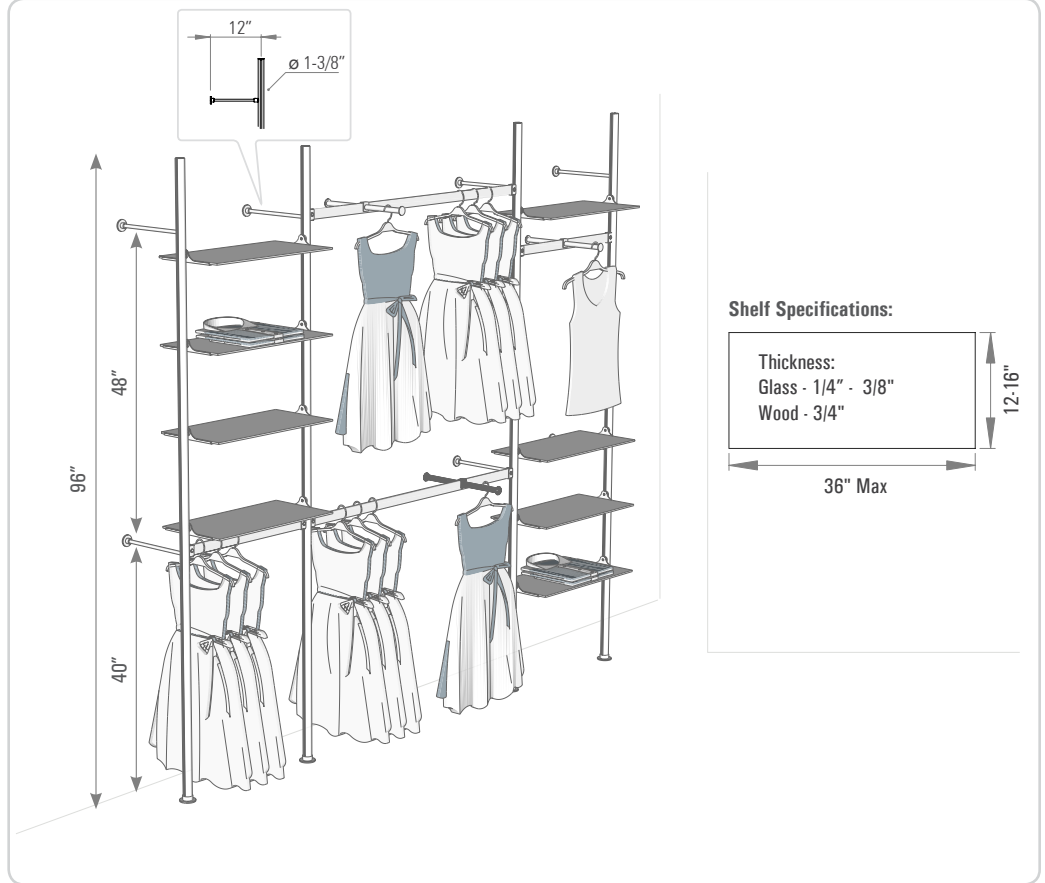


4.8mm (3/16")

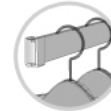
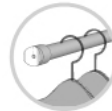


Level

FYI: Tools and mounting hardware are not provided



Included in Kit



Kit	Total Setting Width	Wall-to-Floor Pole	Rotating Shelf Bracket	Round Tube Hangrail	Rectangular Tube Hangrail	Faceout
PSK11-1C241	27.5" W x 96" H	2	8	1	-	-
PSK11-1C361	39.5" W x 96" H	2	8	1	-	-
PSK11-1C242	27.5" W x 96" H	2	4	2	-	-
PSK11-1C362	39.5" W x 96" H	2	4	2	-	-
PSK11-2C1	65.5" W x 96" H	3	8	1	2	2
PSK11-2C2	65.5" W x 96" H	3	12	1	2	2
PSK11-3C1	91.5" W x 96" H	4	16	3	2	2
PSK12-1C241	27.5" W x 96" H	2	4	0	2	-
PSK12-1C242	27.5" W x 96" H	2	4	0	2	1
PSK12-1C243	27.5" W x 96" H	2	4	0	2	2
PSK12-1C481	51.5" W x 96" H	2	-	0	2	2
PSK12-2C1	77.5" W x 96" H	3	8	0	3	3
PSK12-3C1	103.5" W x 96" H	4	16	0	4	3

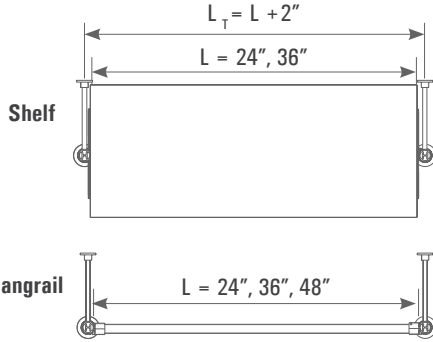
General Note: It is the responsibility of the purchaser and/or installer to verify that the mounting surface is solid and capable of supporting the intended weight of display. It is recommended to consult with a professional and determine the appropriate fastener/anchor needed for the mounting surface. Specialty Store Services is not accountable for faulty installation and ill use of its products beyond recommended limitations.

Clothing Display Kits

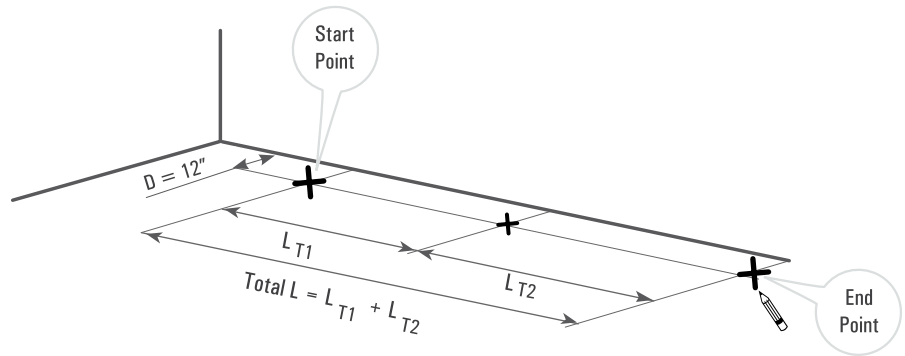
Stage 1 : Preparation

1 Calculate pole positions for each module as follows: Length $L + 2''$

Top View



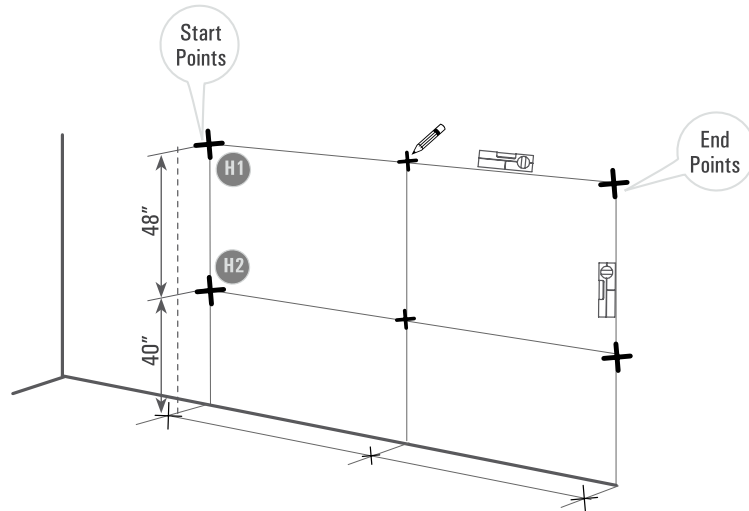
2 Mark the start point as follows: D - Distance from the wall = 12''
 Calculate the length of each module in the setting and mark the end point of the setting.
 Draw a line between the start and end points.
 Mark the pole positions on the floor along the marked line based on the length of each module



3 Mark the start and end points for H1 (Top) and H2 (Support) on the wall directly in line with the start and end points on the floor

Draw a line between all H1 points, and all H2 points, adjust with a level

Mark all the points in between the start and end points based on the length of each module



Max Weight Load (lbs)

Per Section : 520lbs

Per Shelf:

	Thickness	24"	36"
Tempered Glass	1/4"	48	15
	5/16"	84	21
	3/8"	135	51
MDF	3/4"	80	30

Per Hangrail:

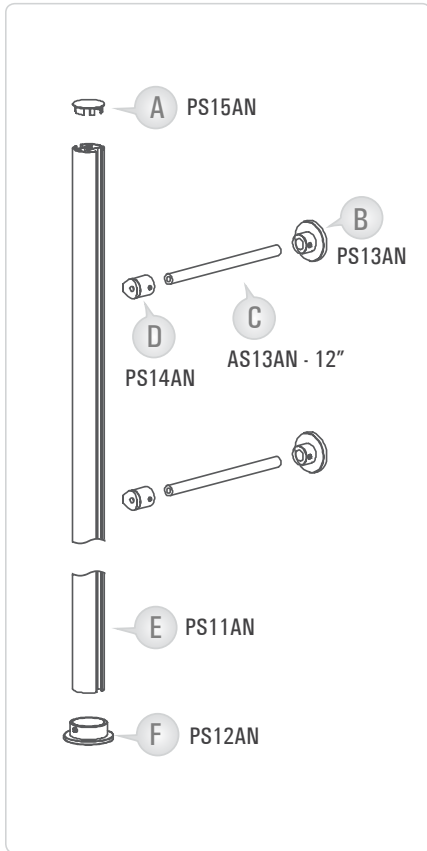


	Dispersed Load	Concentrated Load
24"	81	99
36"	55	66
48"	40	25

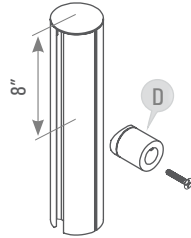
General Note: It is the responsibility of the purchaser and/or installer to verify that the mounting surface is solid and capable of supporting the intended weight of display. It is recommended to consult with a professional and determine the appropriate fastener/anchor needed for the mounting surface. Specialty Store Services is not accountable for faulty installation and ill use of its products beyond recommended limitations.

Clothing Display Kits

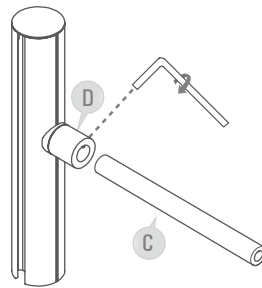
Stage 2 : Pole Installation



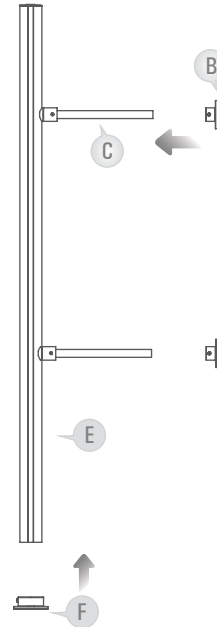
1 Attach Part D with screw 3/16" to the back mark line



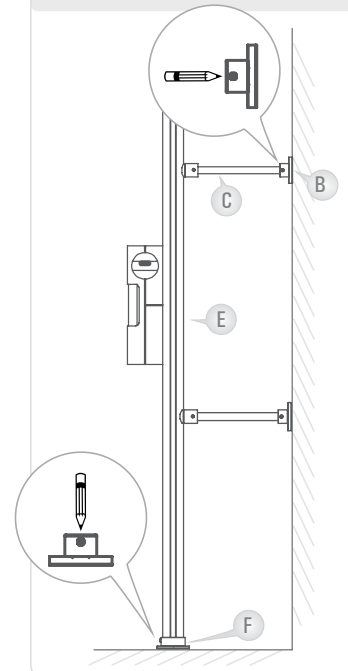
2 Insert Part C into Part D and tighten Allen screw



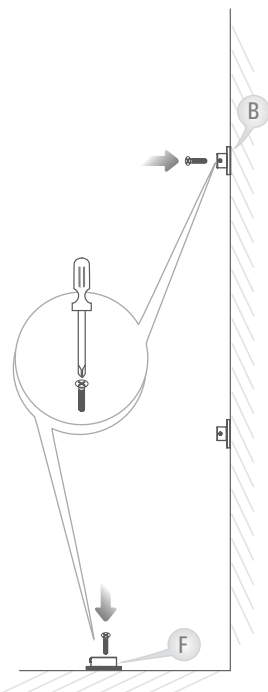
3 Insert part B into Part C. Insert Part F into Part E. DO NOT TIGHTEN YET!



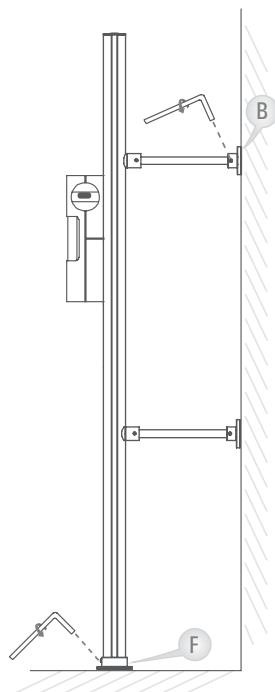
4 Position the pole near the wall. Adjust pole horizontally and vertically using level. Mark attachment point for Parts B and F



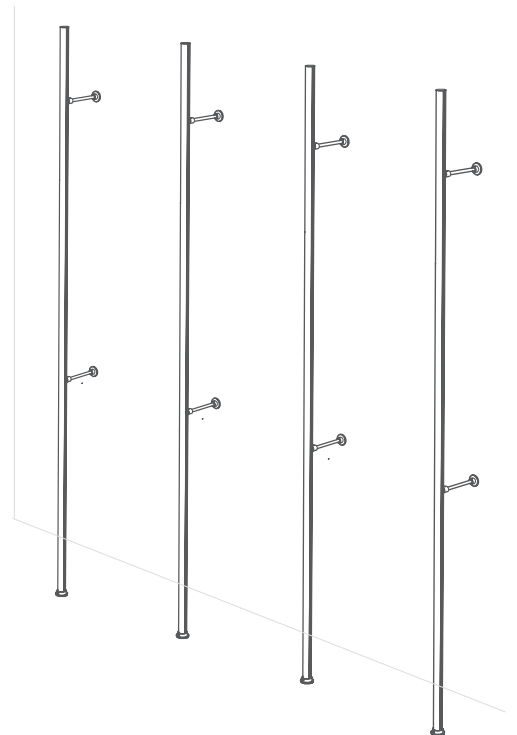
5 Drill holes at marked points using the appropriate hardware for the type of wall/floor. Mount Parts B and F at the marked points



6 Place pole in to Parts B and F and adjust pole horizontally and vertically using level. Tighten with Allen key



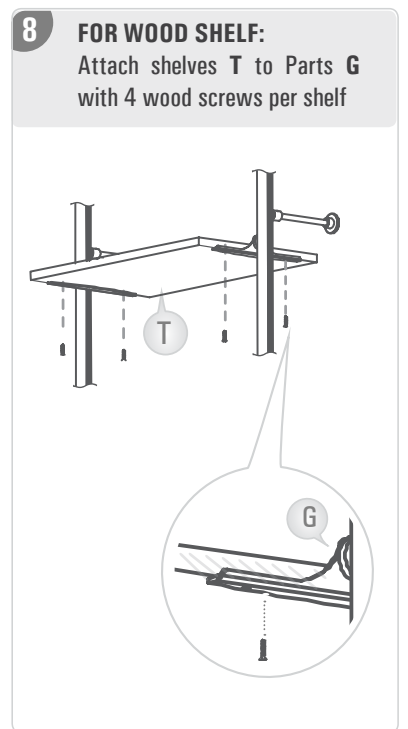
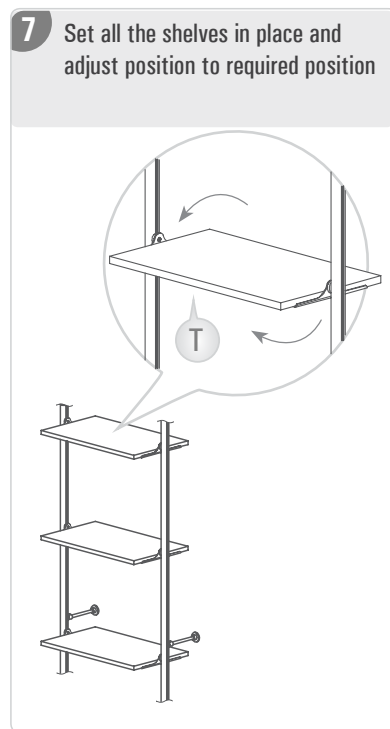
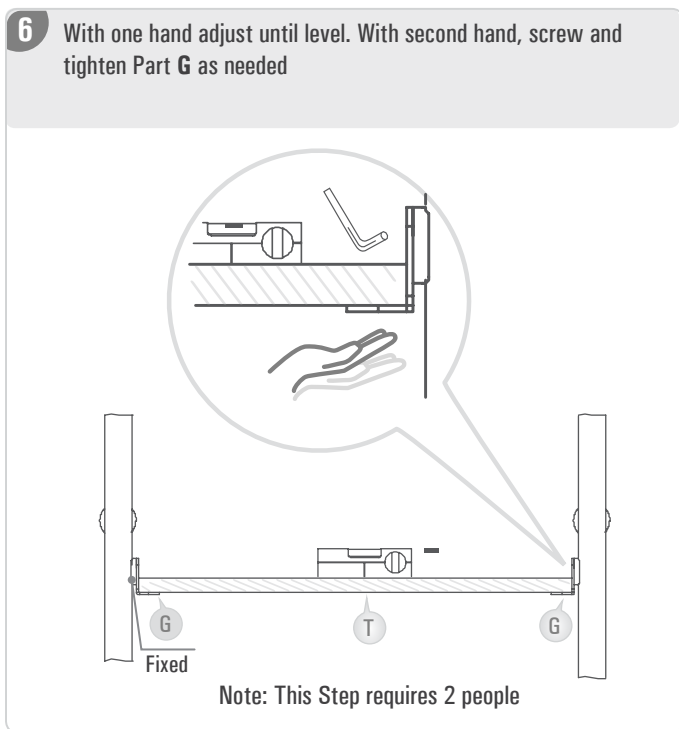
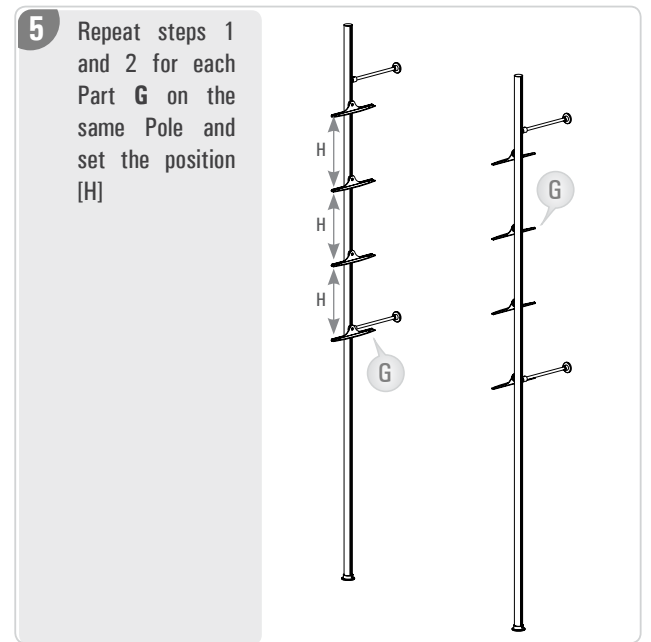
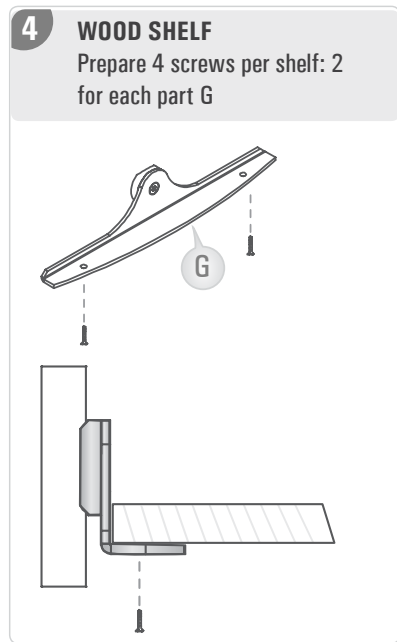
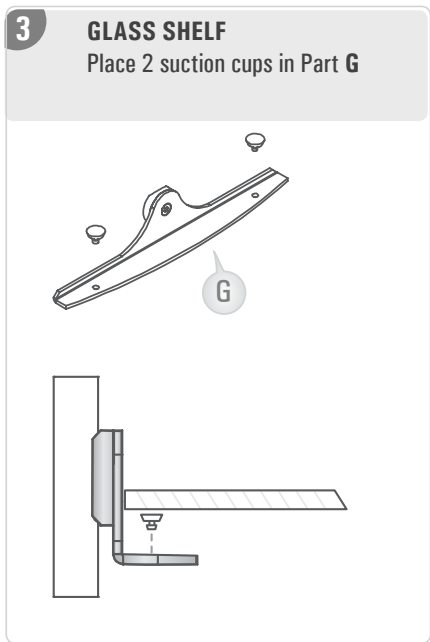
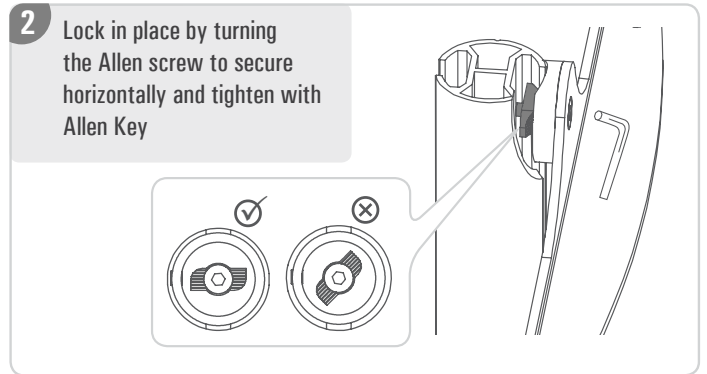
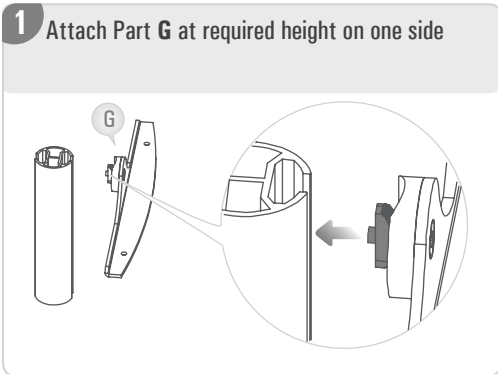
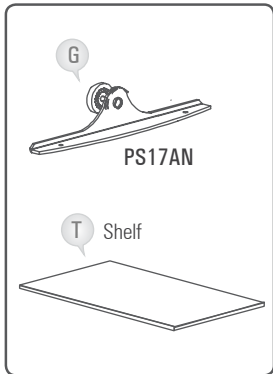
7 Repeat this stage and install the remaining poles



General Note: It is the responsibility of the purchaser and/or installer to verify that the mounting surface is solid and capable of supporting the intended weight of display. It is recommended to consult with a professional and determine the appropriate fastener/anchor needed for the mounting surface. Specialty Store Services is not accountable for faulty installation and ill use of its products beyond recommended limitations.

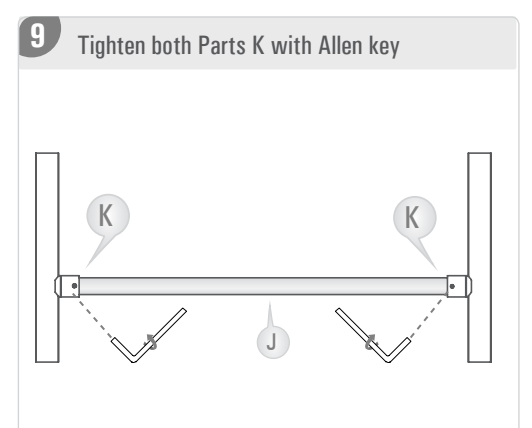
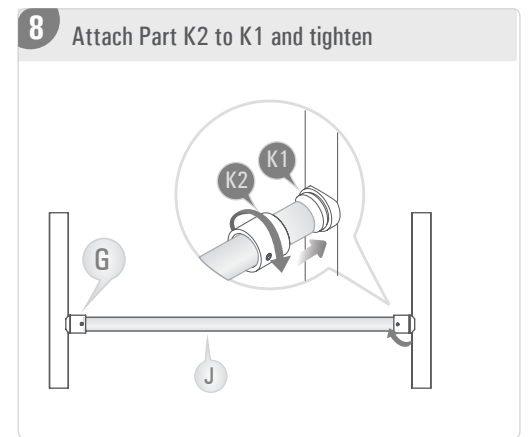
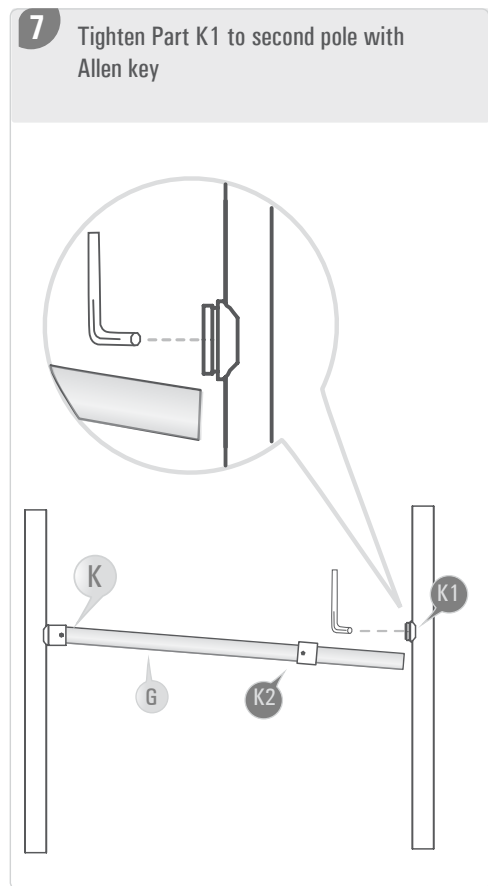
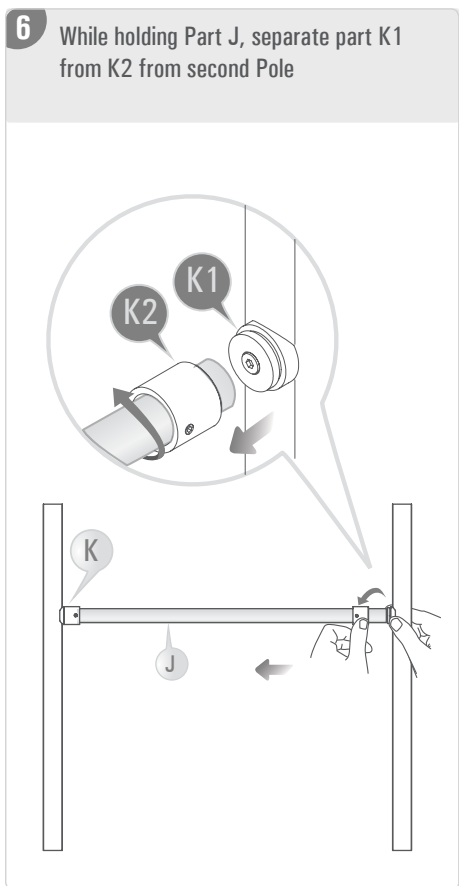
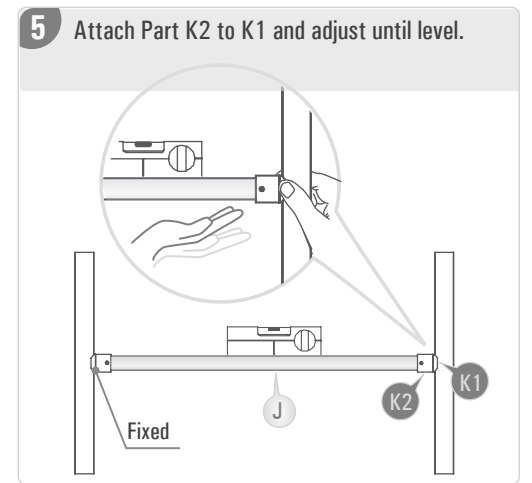
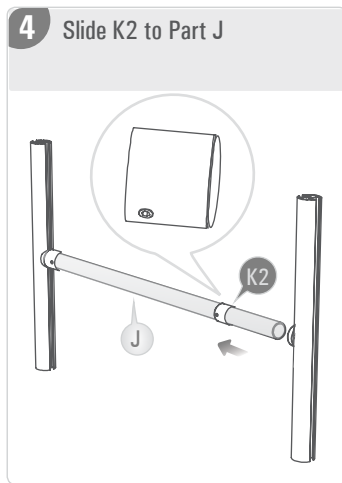
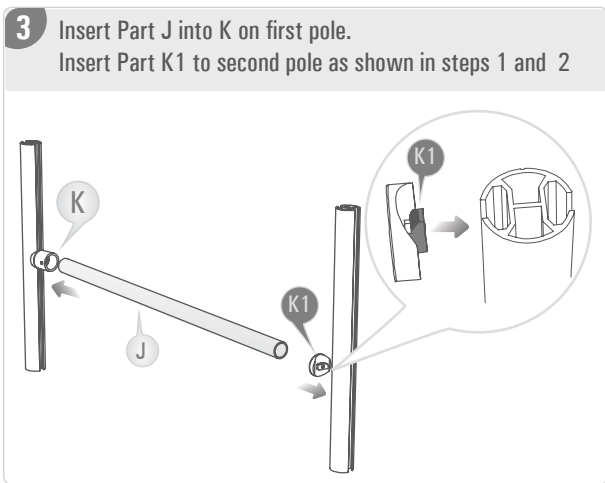
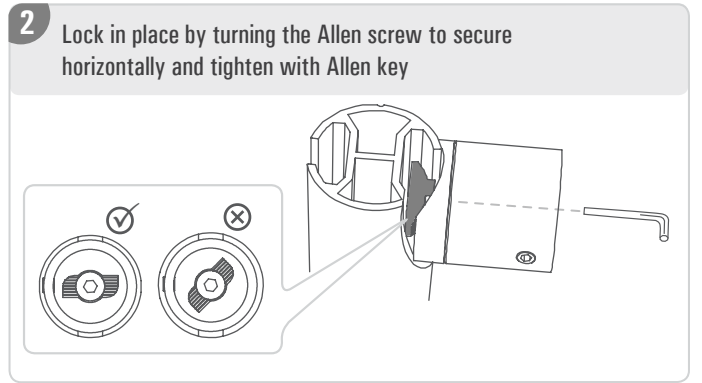
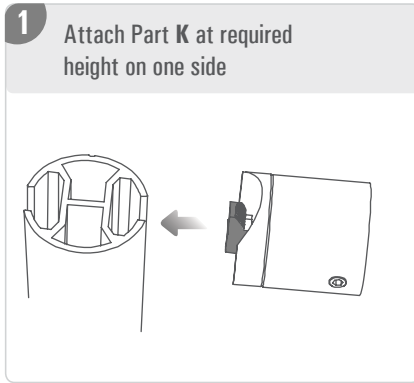
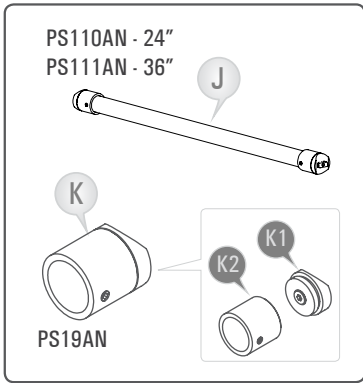
Clothing Display Kits

Stage 3 - Adding Shelves



Clothing Display Kits

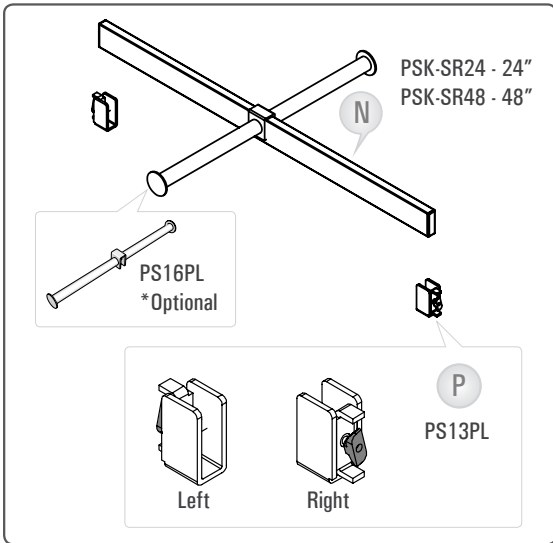
Stage 4 - Adding Round Hang Rail



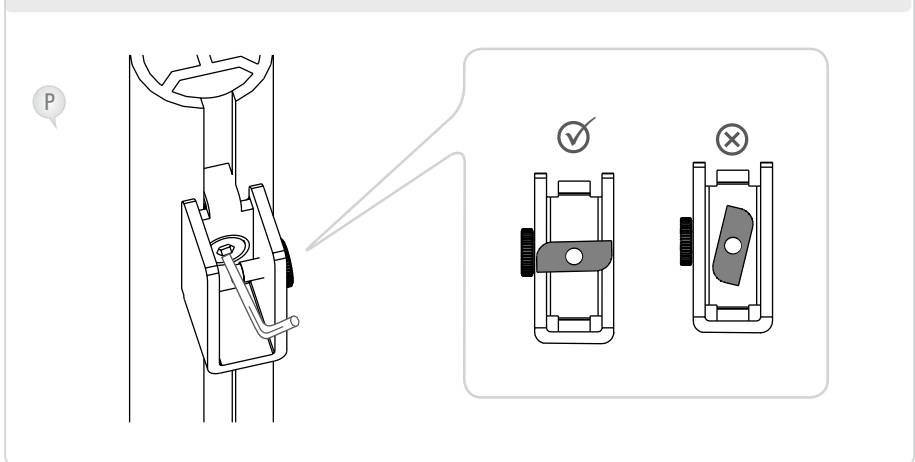
General Note: It is the responsibility of the purchaser and/or installer to verify that the mounting surface is solid and capable of supporting the intended weight of display. It is recommended to consult with a professional and determine the appropriate fastener/anchor needed for the mounting surface. Specialty Store Services is not accountable for faulty installation and ill use of its products beyond recommended limitations.

Clothing Display Kits

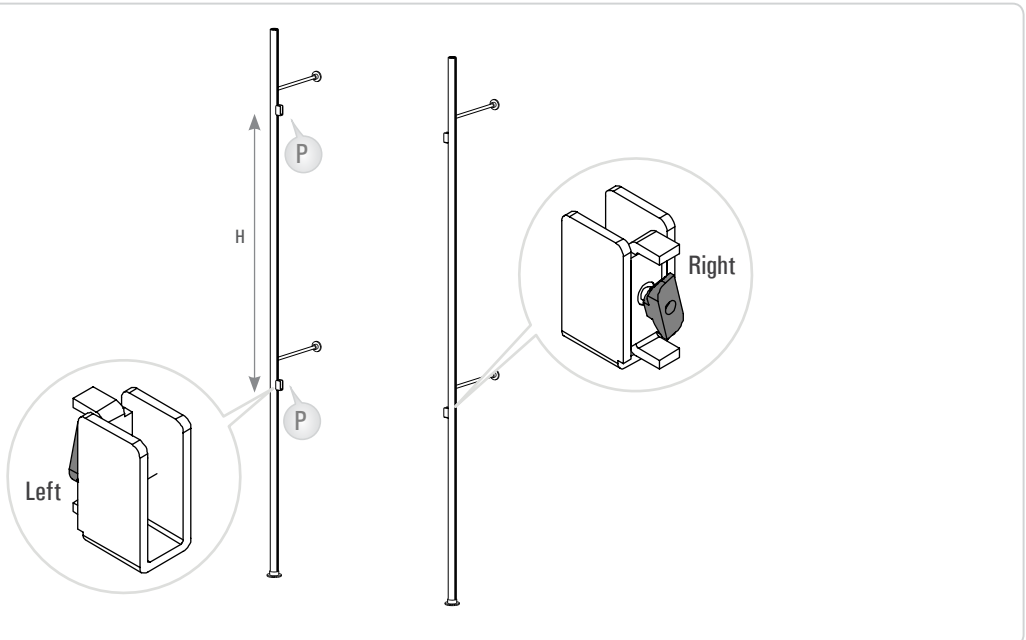
Stage 5 - Adding Rectangular Hang Rail



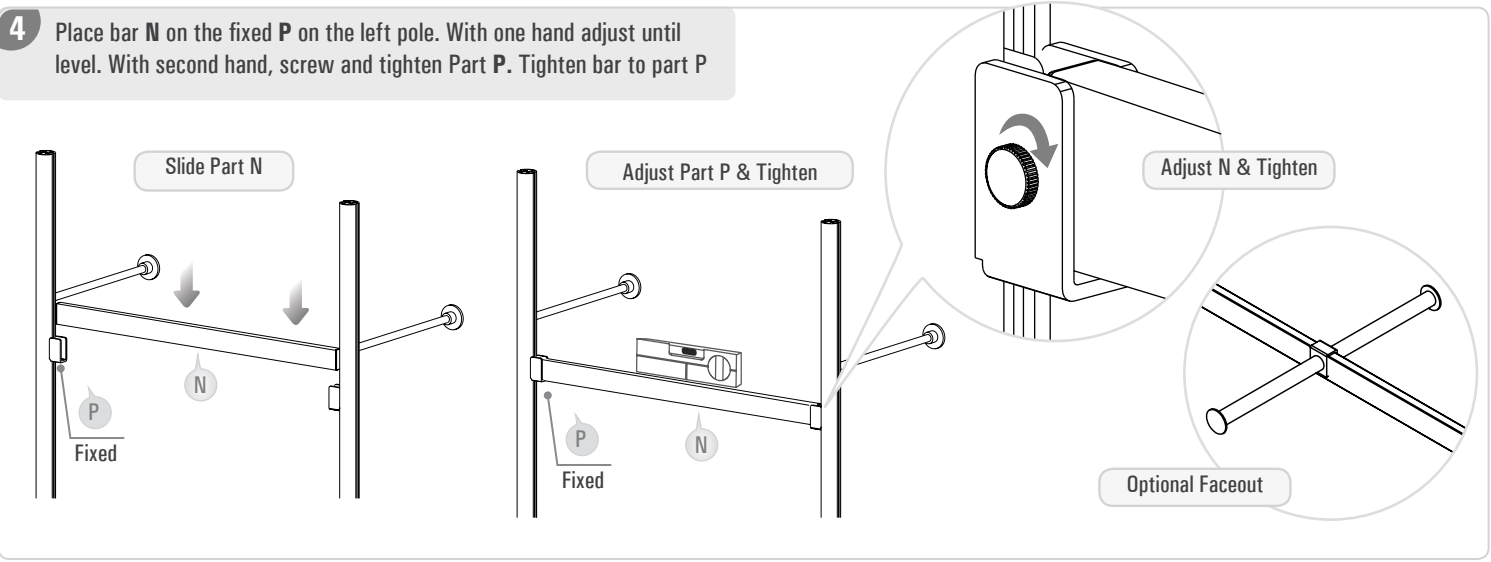
1 Attach Part P at required height on one side.
Lock in place by turning the Allen screw to secure horizontally and tighten with Allen Key



3 Repeat step 1 for each Part P on the left Pole and set the position [H].
On the right Pole Part P needs to be loose, for adjusting after you place the bar



4 Place bar N on the fixed P on the left pole. With one hand adjust until level. With second hand, screw and tighten Part P. Tighten bar to part P



General Note: It is the responsibility of the purchaser and/or installer to verify that the mounting surface is solid and capable of supporting the intended weight of display. It is recommended to consult with a professional and determine the appropriate fastener/anchor needed for the mounting surface. Specialty Store Services is not accountable for faulty installation and ill use of its products beyond recommended limitations.

Clothing Display Kits

Stage 6 - Adding Sign

