

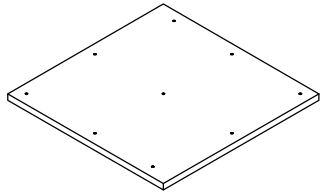


SPECIALTY STORE SERVICES

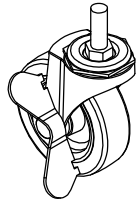
454 Jarvis Ave. Des Plaines, IL 60018
PH: (800) 999-0771 | FX: (888) 368-8001
www.specialtystoreservices.com

LDTSHRT INSTRUCTIONS

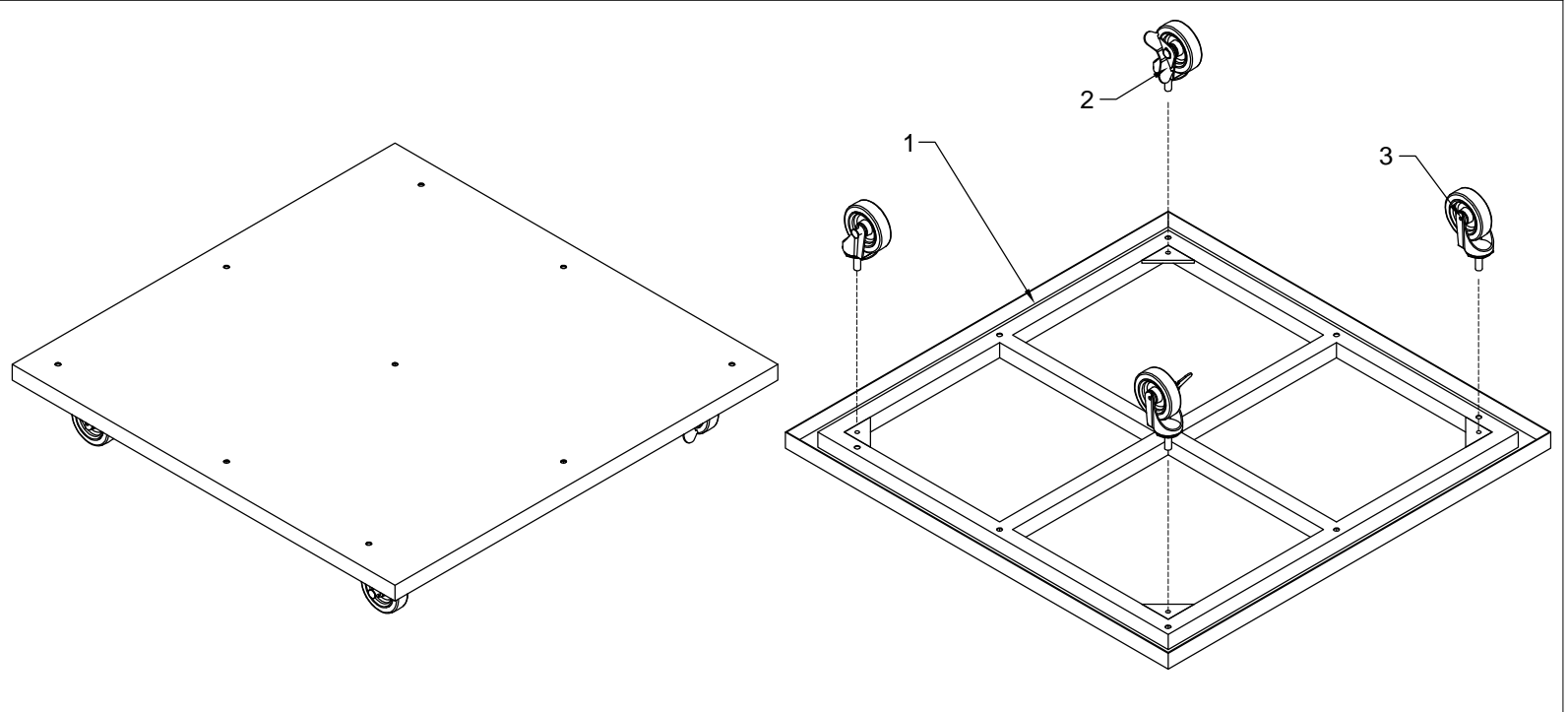
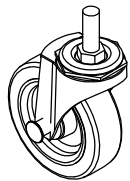
1、 Base (1pcs)



2、 Locking Casters (2pcs)



3、 Non-locking Casters (2pcs)



1、 Install the casters to the base;

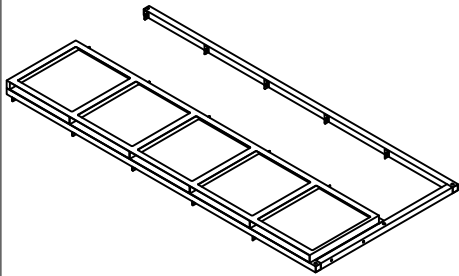


SPECIALTY STORE SERVICES

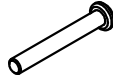
454 Jarvis Ave. Des Plaines, IL 60018
PH: (800) 999-0771 | FX: (888) 368-8001
www.specialtystoreservices.com

LDTSHRT INSTRUCTIONS

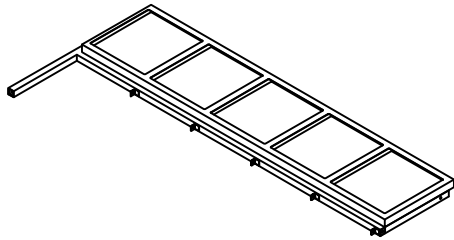
1, U frames (2pcs)



5, Long screws (9pcs)



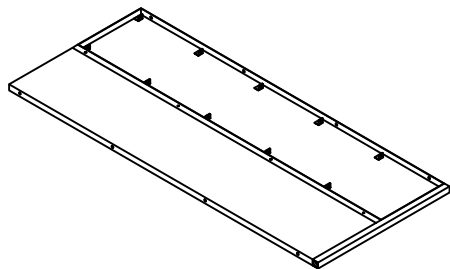
2, L frames (2pcs)



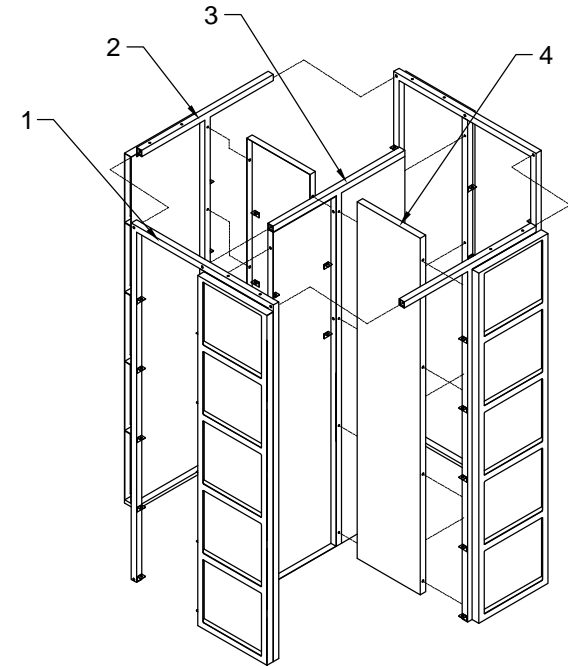
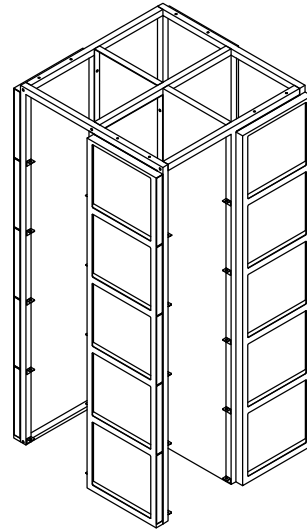
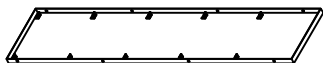
6 shorter screws (8pcs)



3, Center big divider (1pcs)



4, Center small dividers (2pcs)



1. Attached the smaller divider to the big divider with shorter screws in the shape of a cross;
2. Attached U frames to the sides of the big dividers, tighten with L screws;
3. Attached L frames to the side of the smaller dividers, tighten with L screws;

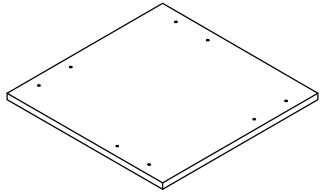


SPECIALTY STORE SERVICES

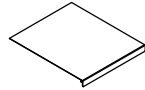
454 Jarvis Ave. Des Plaines, IL 60018
PH: (800) 999-0771 | FX: (888) 368-8001
www.specialtystore.com

LDTSHRT INSTRUCTIONS

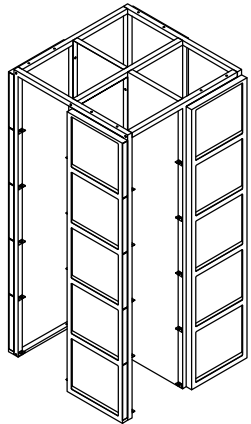
1. Top panel (1pcs)



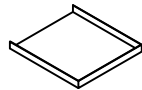
4. Shelves (20 pcs)



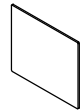
2. Main Frame (1pcs)



5. T-shirt boxes (20pcs)



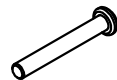
6. Pvc panels (20pcs)



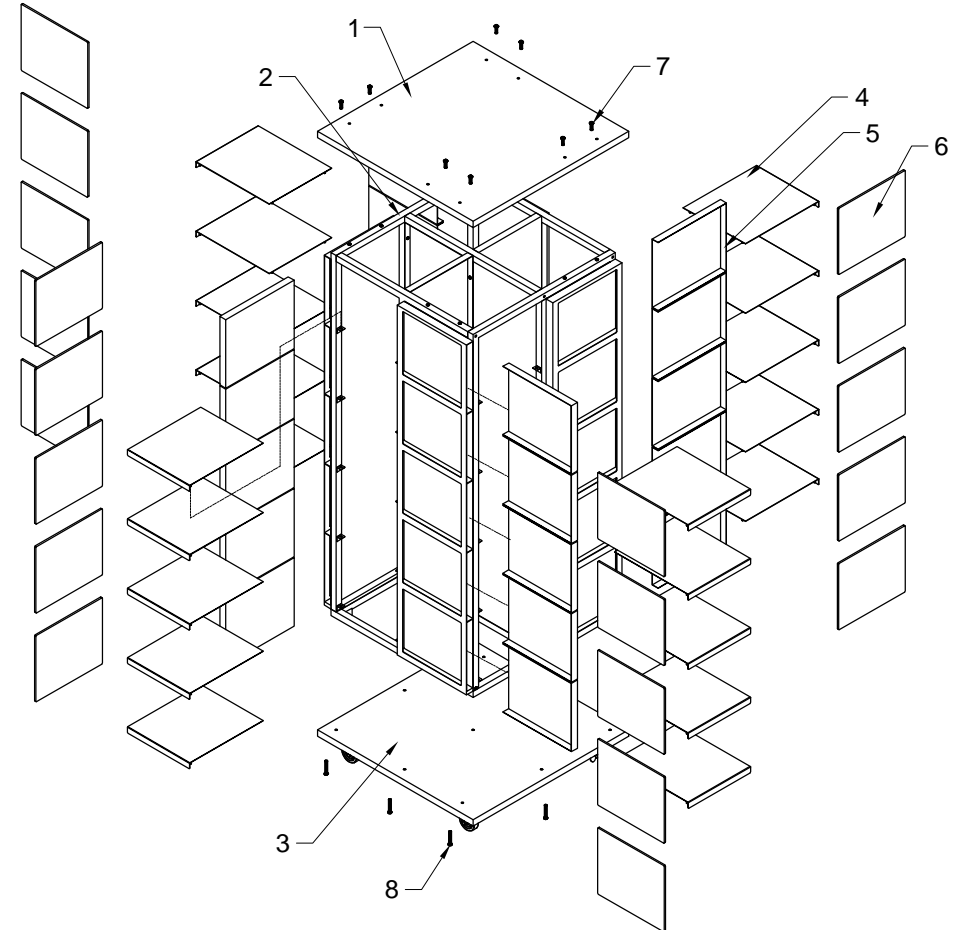
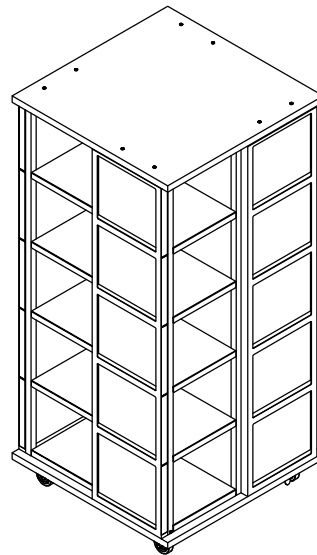
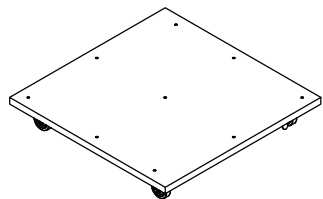
7. Shorter Screws (8pcs)



8. Long screws (9pcs)



3. Base (1pcs)



1. Put main frame on the base, tighten with screws;
2. Put the top panel on the main frame, tighten with screws;
3. T-shirt boxes & pvc panels insert into the frame boxes;
4. Place the shelves into the main frame.