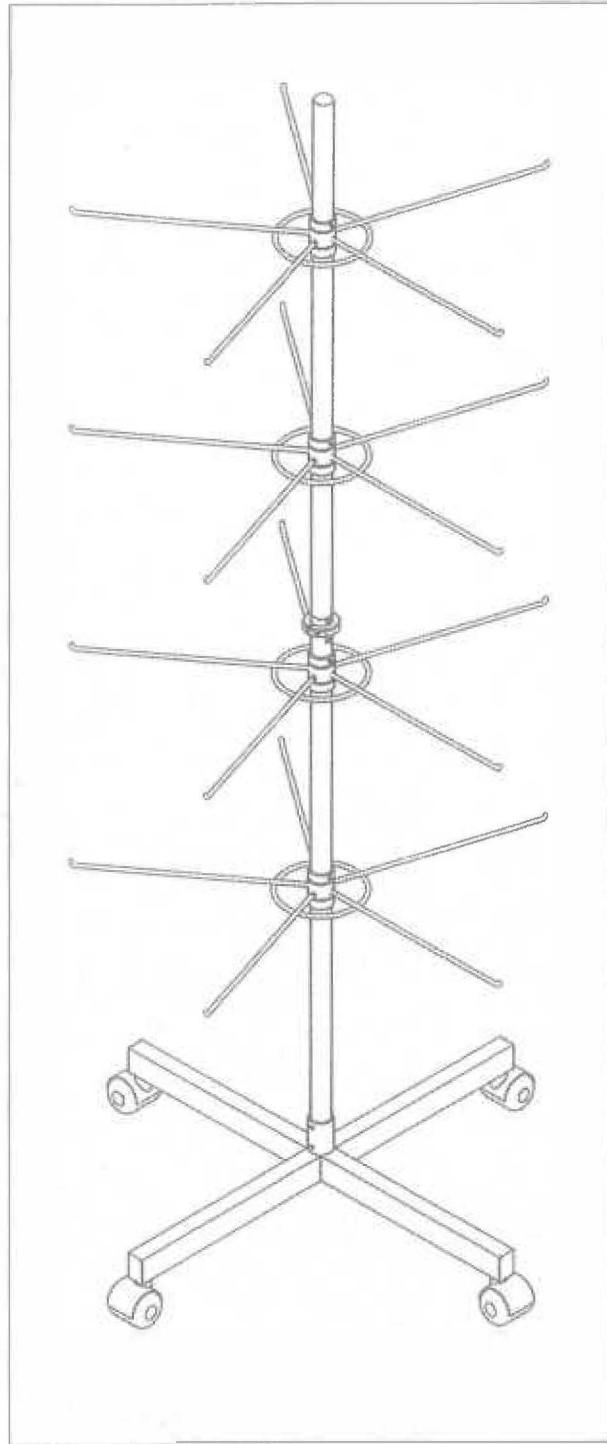
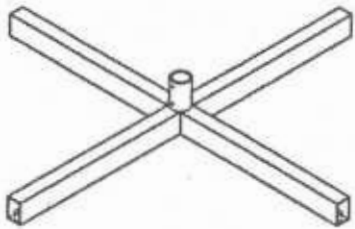


Assembly Instruction for Spinner Rack

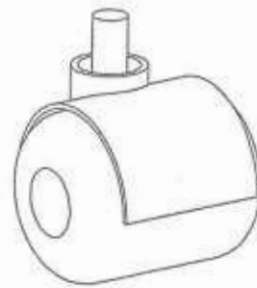


①



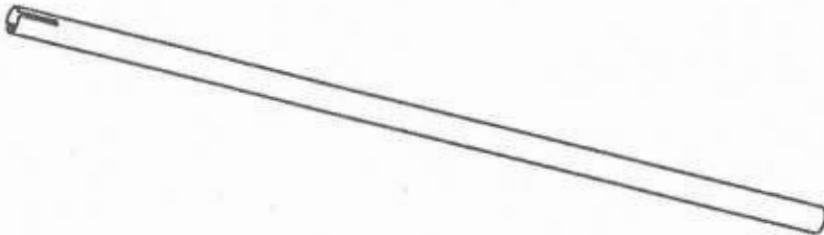
1pc

②



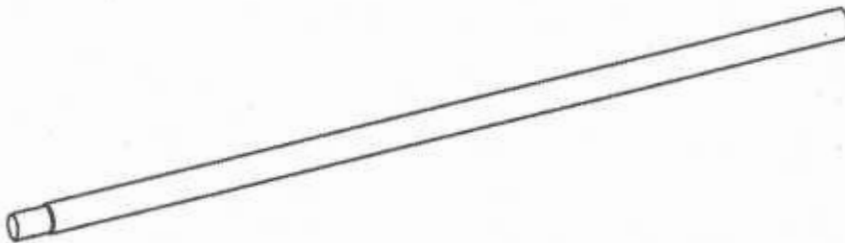
4pcs

③



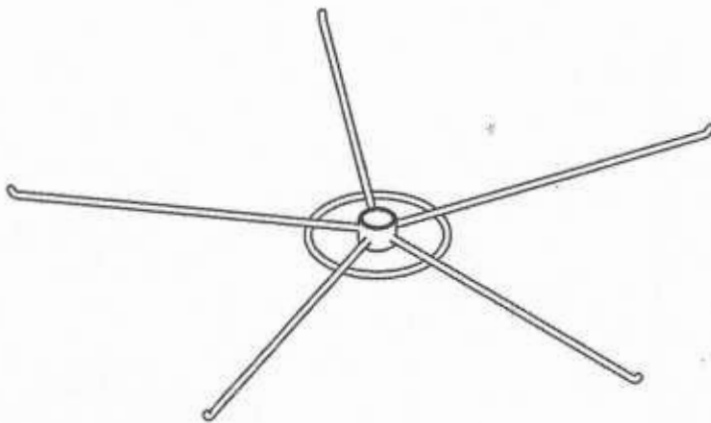
1pc

④



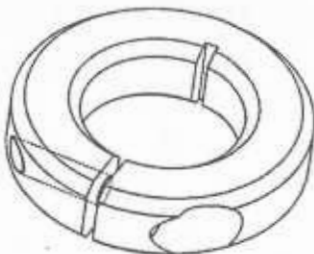
1pc

⑤



4pcs

⑥



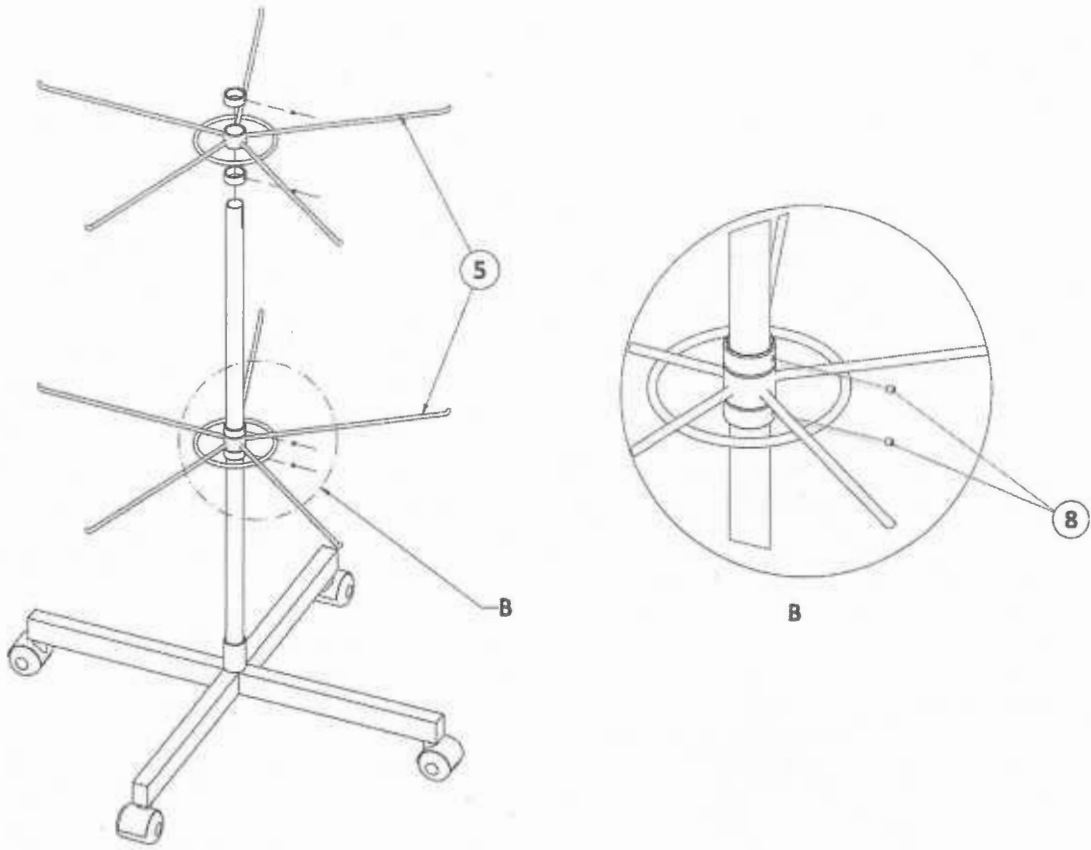
1pc

⑦



8pcs

Step3:



Step4:

