



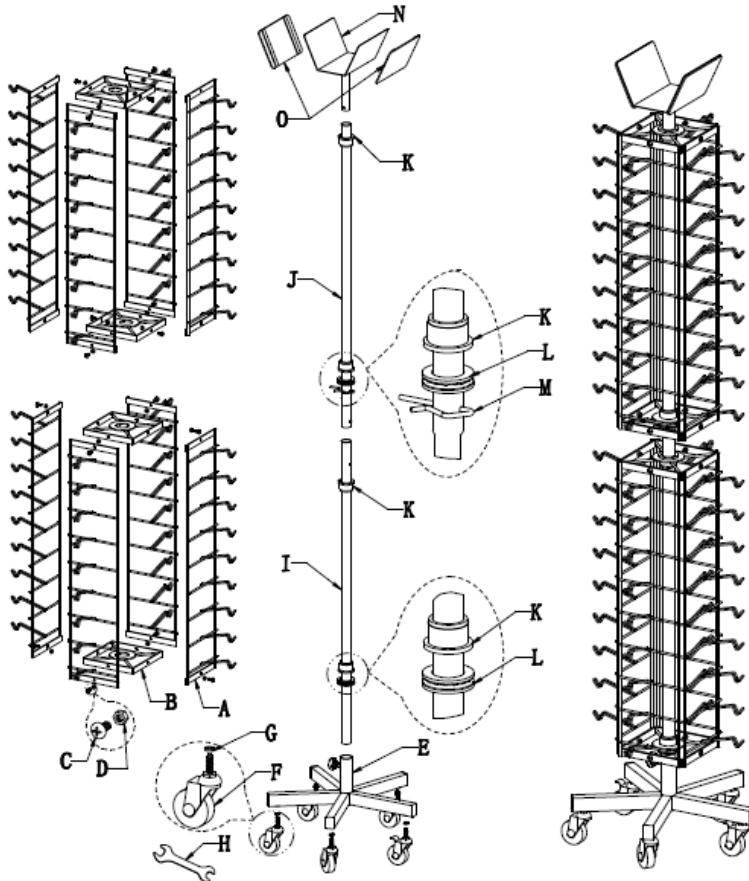
SPECIALTY STORE SERVICES

454 Jarvis Ave. Des Plaines, IL 60018
PH: (800) 999-0771 | FX: (888) 368-8001
www.specialtystoreservices.com

ASSEMBLY

INSTRUCTIONS

#9488 SUNGLASS FLOOR STAND



PARTS LIST

A- Hook frame	8pcs
B- Square frame	4pcs
C- Bolt	16pcs
D- Nut	16pcs
E- Feet base	1pc
F- Wheels	5pcs
G- Spring washer	5pcs
H- Wrench	1pc
I- Lower pole	1pc
J- Upper pole	1pc
K- Busing	4pcs
L- Bearing	2pcs
M- Cotton pin	2pcs
N- Mirror holder	1pc
O- Mirror	2pcs

1. Slide the Spring washer (G) to the Wheel's(F) bolt then fixed Wheels to the Feet base (E),tighten by Wrench(H)
2. Insert the Lower pole(I) to the Feet base(E) tighten by screw, press the button on the end of Upper pole(J) insert to the Lower pole (I)
3. Insert the Cotter Pin(M) into the hole of Pole(I).Slide Bearing(L) and a Busing(K) (smaller side up)
4. Fixed 4 Hook frames (A) to 2 Square frames (B) by Bolts(C) and Nuts(D)(be sure the hooks in one direction), then fixed other 4 hooks frame
5. Slide one Hook frame that step 3 installed to the pole
6. Slide a Bushing (K) to the pole(bigger side up)
7. Install another Cotton pin, Bearing, Busing , Hook frame as up
8. Turn the Upper pole till the button out
9. Tear up the adhesive sticker on the Mirror(N) stick to the Mirror holder (O) tear up the prevent film on the mirror then insert to the Upper pole

FOR ASSEMBLY ONLY NOT AS DRAWINGS!