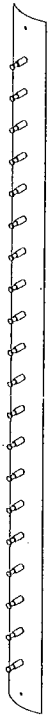


SU-120LINK-KDR10 ASSEMBLY INSTRUCTIONS

Assembly parts list:

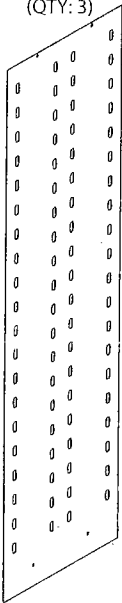
C
NOSE PANELS
(QTY: 6)



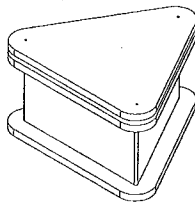
B
FRAME
(QTY: 3)



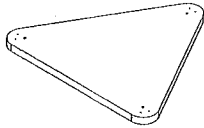
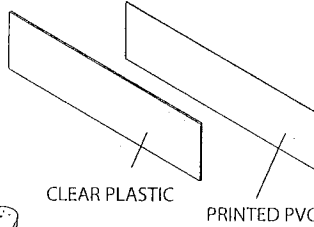
N
PANEL
(QTY: 3)



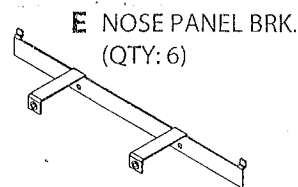
A BASE (QTY: 1)



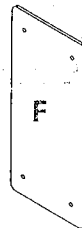
H CROWN SLEEVE (QTY: 3 EACH)



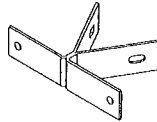
D TOP LID (QTY: 1)



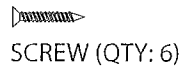
MIRROR (QTY: 1)



G MIRROR BRK.
(QTY: 2)



N CROWN CORNER
(QTY: 3)



SCREW (QTY: 6)

HARDWARE

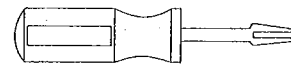
K SCREW (QTY: 6)

L SCREW W. PLASTIC WASHER (QTY: 4)

SCREW (QTY: 12)

NUTS (QTY: 4)

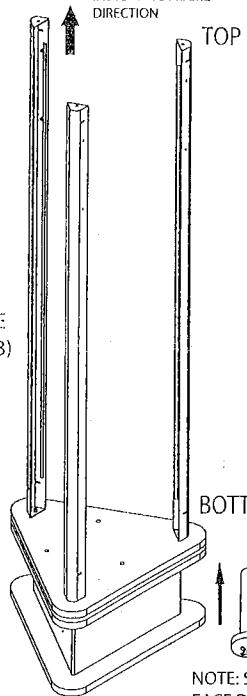
M SCREW (QTY: 4)



PHILIPS SCREW
DRIVER (QTY: 1)

I PLASTIC CLIPS
(QTY: 12)

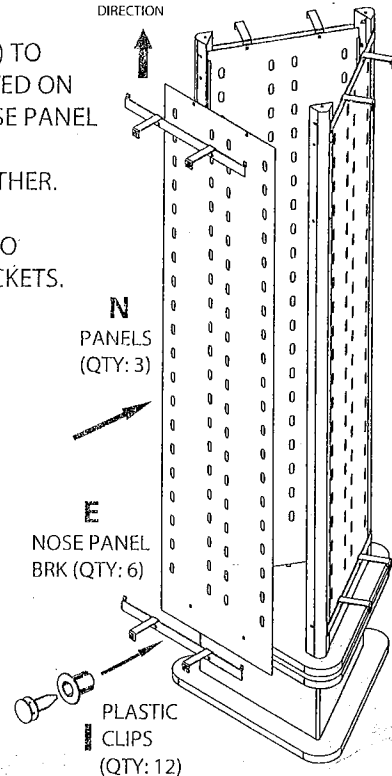
LOOK FOR STICKER
INDICATING FRAME
DIRECTION



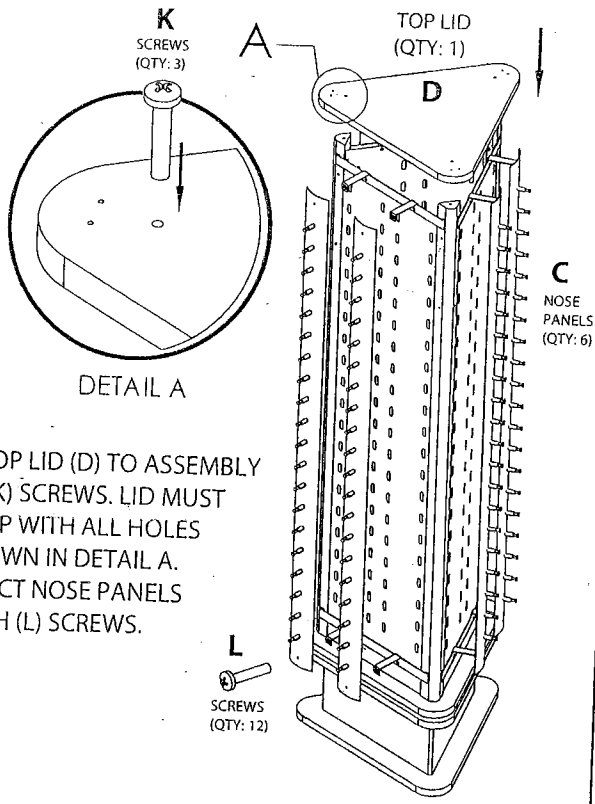
STEP 1:
ASSEMBLE FRAME (B)
TO BASE (A) USING (K)
SCREWS. TURN BASE TOP
TO ACCESS HOLES. SCREW
HEAD WILL FACE DOWN.
LOOK FOR STICKERS
INDICATING TOP DIRECTION.

LOOK FOR STICKER
INDICATING PANEL
DIRECTION

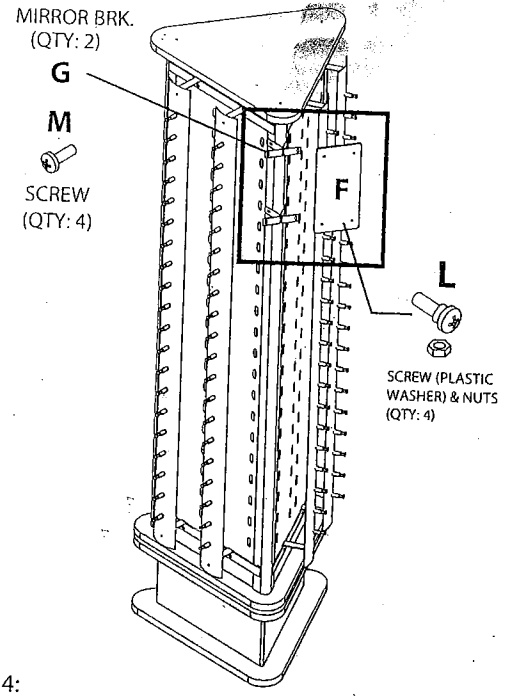
STEP 2:
INSERT PANELS (N) TO
CHANNELS LOCATED ON
FRAMES. ADD NOSE PANEL
BRK (E) TO KEEP
STRUCTURE TOGETHER.
FINALLY, FASTEN
PLASTIC CLIPS (I) TO
PANELS AND BRACKETS.



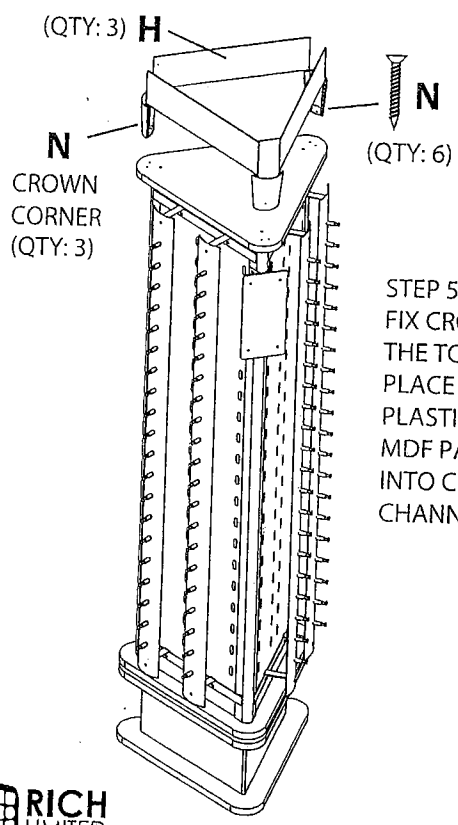
SU-120LINK-KDR10 ASSEMBLY INSTRUCTIONS



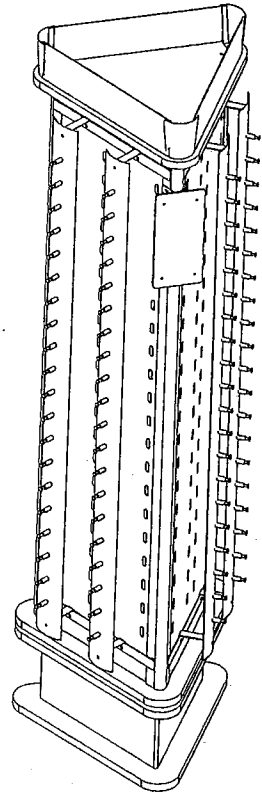
STEP 3:
ADD TOP LID (D) TO ASSEMBLY WITH (K) SCREWS. LID MUST FACE UP WITH ALL HOLES AS SHOWN IN DETAIL A. CONNECT NOSE PANELS (C) WITH (L) SCREWS.



STEP 4:
ADD MIRROR BRK (G) TO FRAME WITH (M) SCREWS. FASTEN MIRROR (F) WITH (L) SCREWS AND NUTS. THESE SCREWS HAVE A PLASTIC WASHER ON THEM.



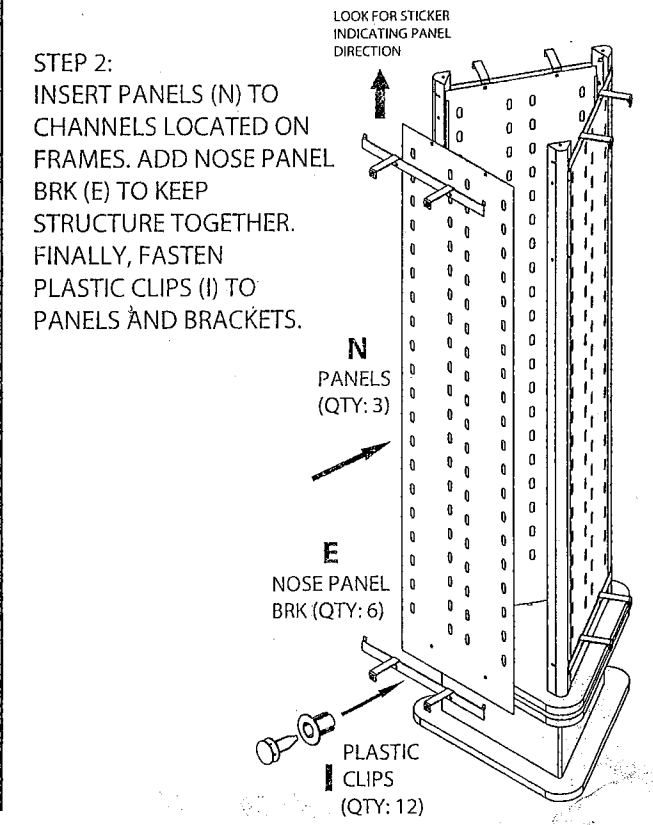
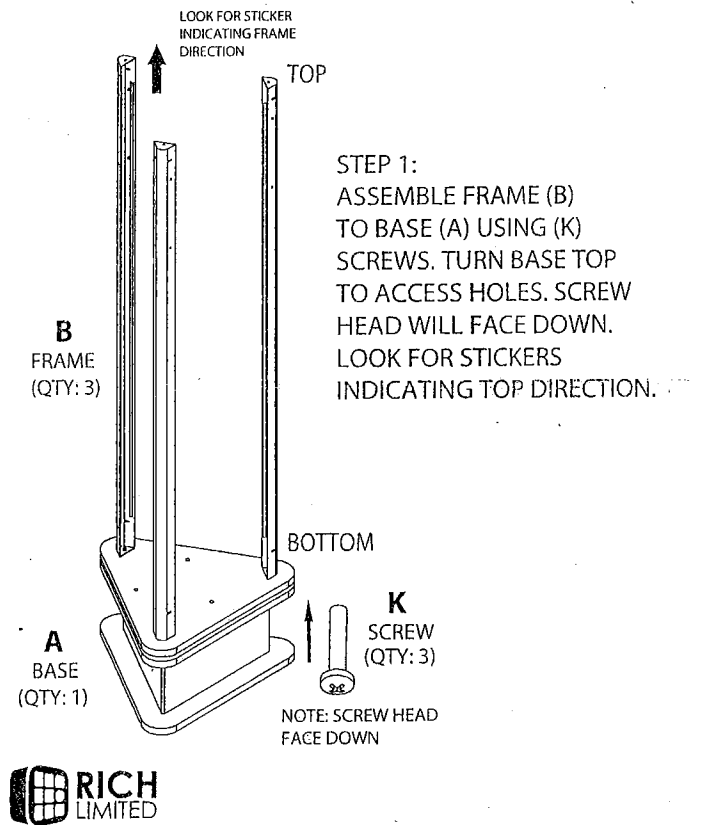
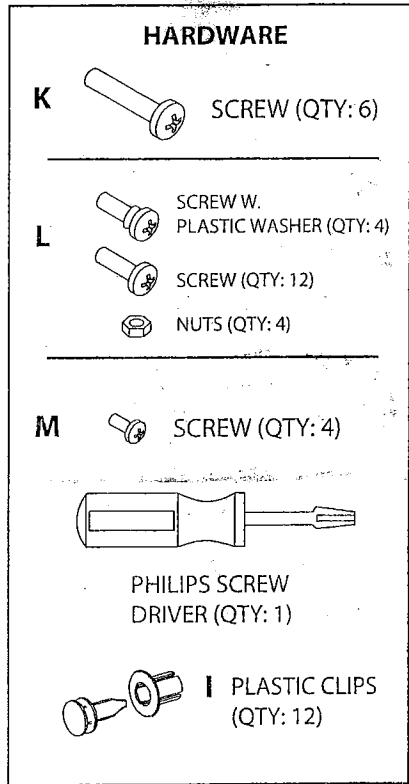
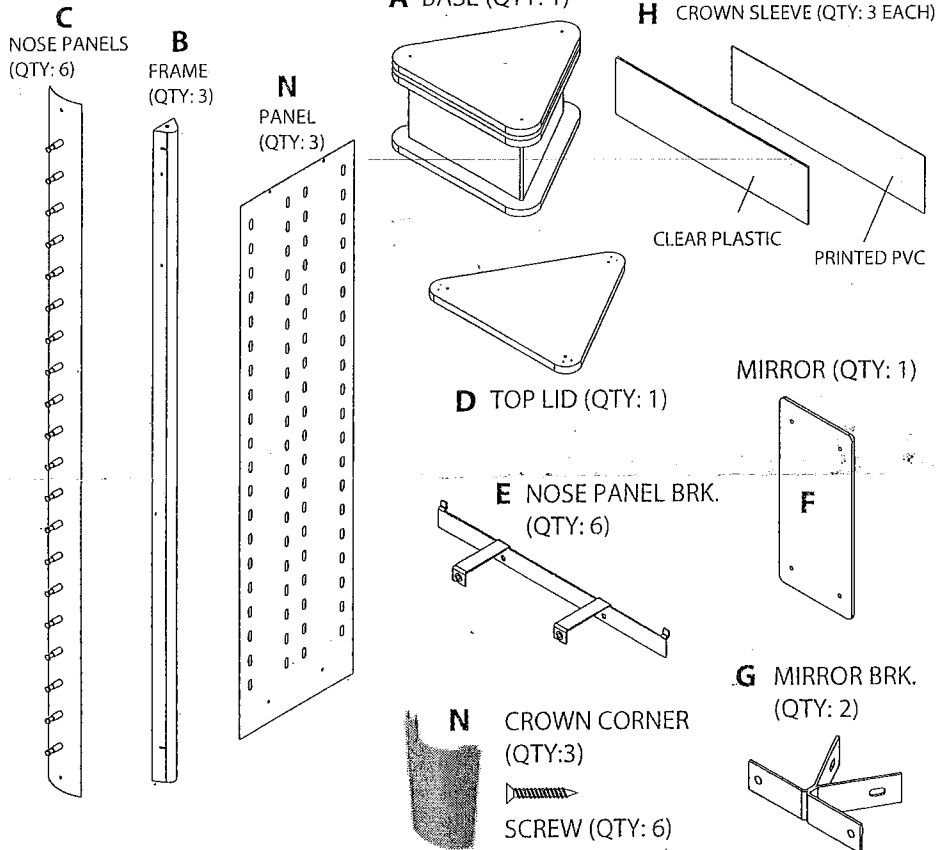
STEP 5:
FIX CROWN BRACKETS (N) TO THE TOP WITH (N) SCREWS. PLACE TOP SIGN IN CLEAR PLASTIC SLEEVE (H) WITH MDF PANEL AND SLIDE INTO CROWN CORNER CHANNELS.



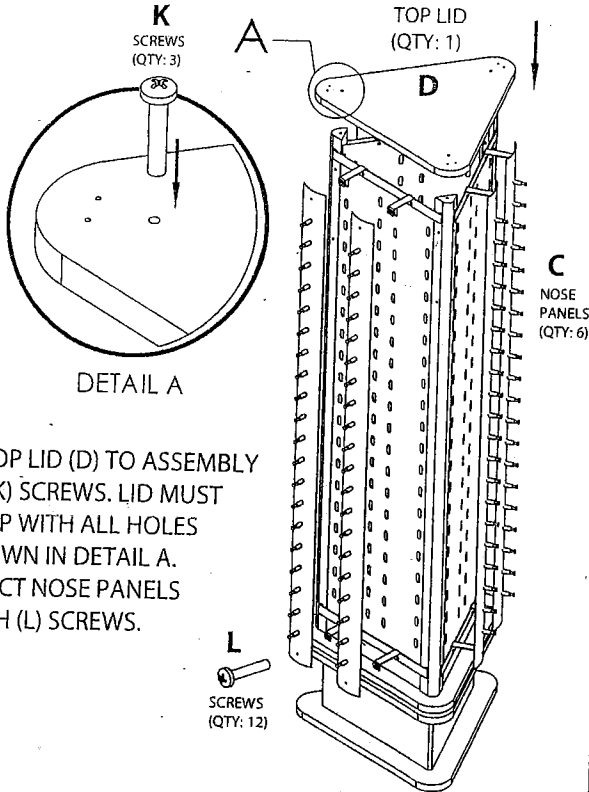
ASSEMBLED UNIT

SU-120LINK-KDR10 ASSEMBLY INSTRUCTIONS

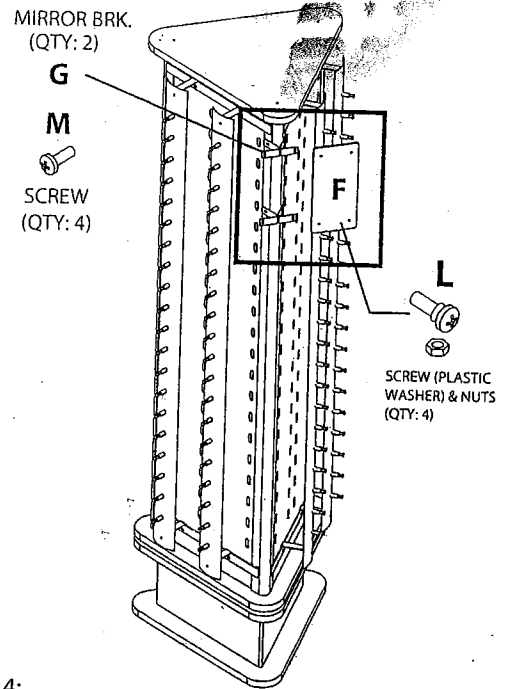
Assembly parts list:



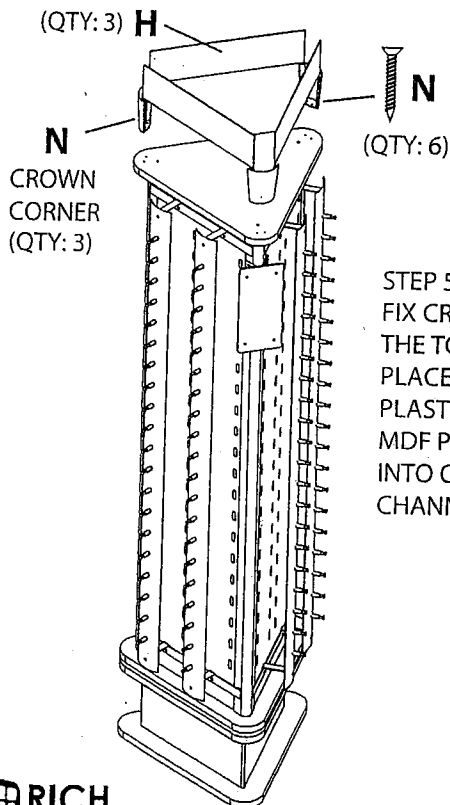
SU-120LINK-KDR10 ASSEMBLY INSTRUCTIONS



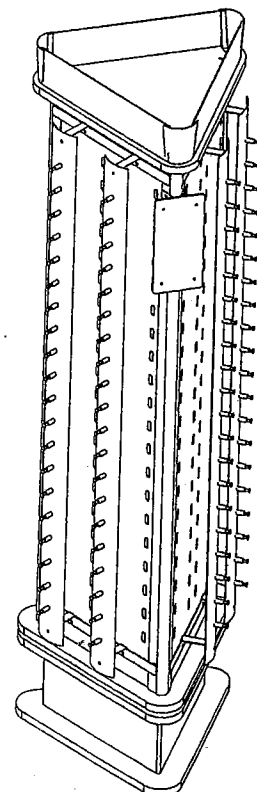
STEP 3:
ADD TOP LID (D) TO ASSEMBLY WITH (K) SCREWS. LID MUST FACE UP WITH ALL HOLES AS SHOWN IN DETAIL A. CONNECT NOSE PANELS (C) WITH (L) SCREWS.



STEP 4:
ADD MIRROR BRK (G) TO FRAME WITH (M) SCREWS. FASTEN MIRROR (F) WITH (L) SCREWS AND NUTS. THESE SCREWS HAVE A PLASTIC WASHER ON THEM.



STEP 5:
FIX CROWN BRACKETS (N) TO THE TOP WITH (N) SCREWS. PLACE TOP SIGN IN CLEAR PLASTIC SLEEVE (H) WITH MDF PANEL AND SLIDE INTO CROWN CORNER CHANNELS.



ASSEMBLED UNIT