

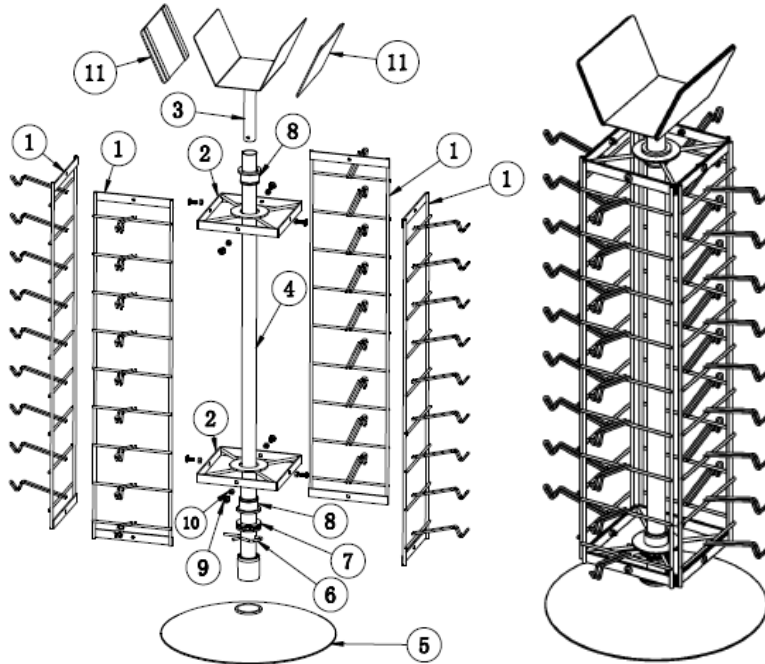


SPECIALTY STORE SERVICES

454 Jarvis Ave. Des Plaines, IL 60018
PH: (800) 999-0771 | FX: (888) 368-8001
www.specialtystoreservices.com

ASSEMBLY INSTRUCTIONS

#9486 Sunglass Counter Spinner



PARTS LIST

A - Hook Frame	4PCS
B - Square Frame	2PCS
C - Mirror Holder	1PCS
D - Middle Pole	1PCS
E - Base	1PCS
F - Cotter Pin	1PCS
G - Bearing	1PCS
H - Plastic Bushing	2PCS
I - Bolt and nut	8SETS
J - Plastic Mirror	2Pcs

1. Insert the Cotter Pin(F) into Middle Pole(D)
2. Insert the Middle Pole(D) to Base(E)
3. Slide Bearing(G) one Plastic Bushing(H)(small side up) down the Middle Pole
4. Use Bolt and Nut(I) to attach four Hook frames(A) with two Square Frame(B)
5. Slide whole frame down the Middle Pole (hooks facing up)
6. Slide another Plastic Bushing(H) (big side up) down the Middle Pole
7. Tear up the adhesive sticker of two Plastic Mirror(J) stick on the Mirror holder(C) remove protective film from Mirror, insert into the Middle pole

NEED MORE HELP? CALL 800-999-0771