



Part # 90161

Assembly Instructions

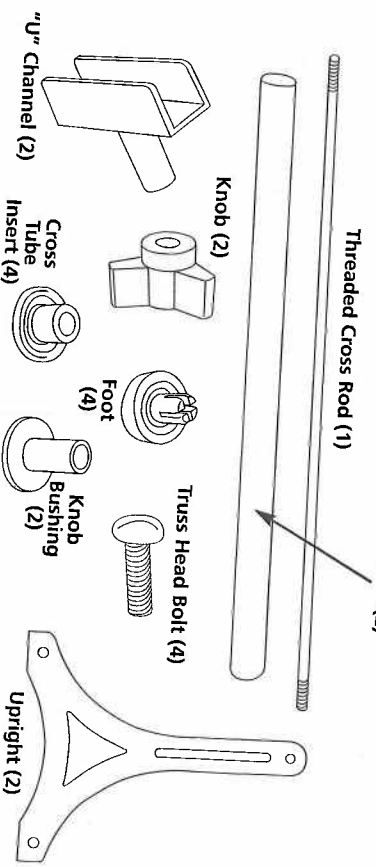
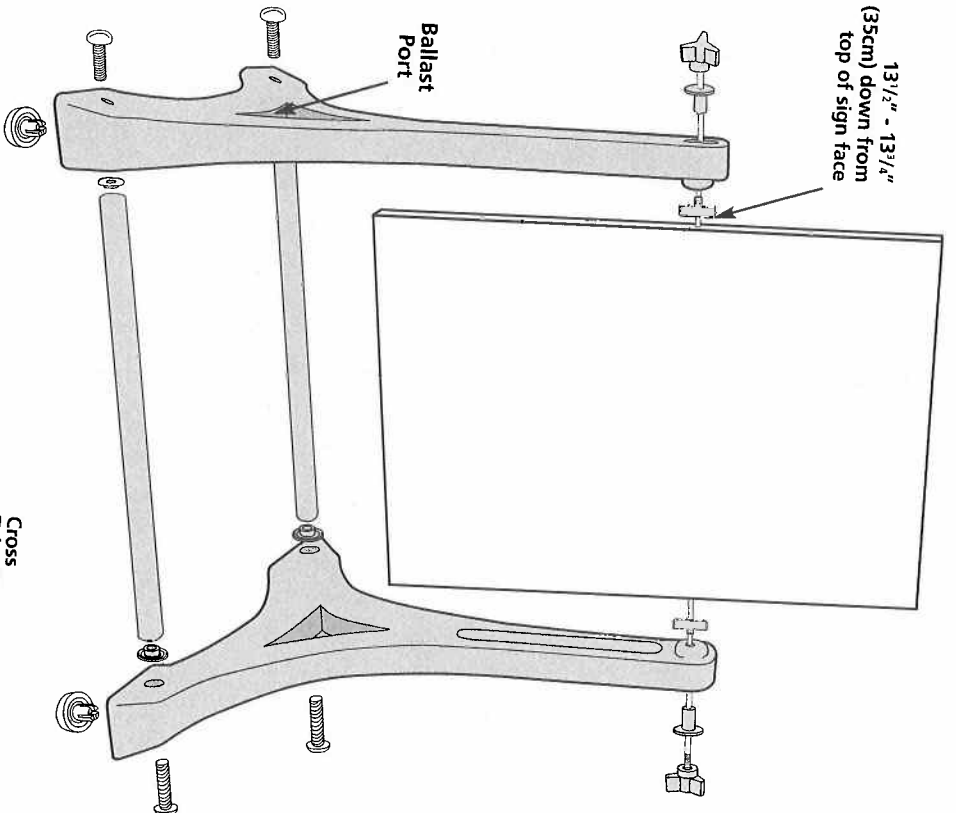
1. Install anti-slip feet by pushing feet into holes on bottom of Uprights and pressing drive pin in completely to lock foot in hole.
2. Attach Cross Tubes to Uprights using Cross Tube Inserts (small bushings) and Truss Head Bolts. Put Tube Insert into Cross Tube (small end in), slide Cross Tube into deep recess of Upright, insert Truss Head Bolt and tighten. Repeat until both Cross Tubes are in place.
3. Measure 13 1/2" - 13 3/4" (35cm) down from top of sign face and mark edge. This is where the Cross Rod will slide through sign.
4. Attach sign to Uprights using Sign Holder Bushing, Knob Bushing, Threaded Cross Rod and Knobs.

Best Method:

- attach Knob to one end of Threaded Cross Rod
- slide on Knob Bushing, large flat face against Knob
- insert Threaded Cross Rod into hole at top of Upright from outside edge
- slide on Sign Holder Bushing, "U" Channel facing in
- insert Threaded Cross Rod into sign face at mark 13 1/2" - 13 3/4" (35cm) from top
- slide on Sign Holder Bushing, "U" Channel facing sign
- insert Threaded Cross Rod into hole at top of Upright
- slide on Knob Bushing, large flat face out
- tighten Knobs firmly making sure sign face sits in "U" Channels

HELPFUL HINTS

- Keep wording/design simple for maximum impact.
- For blank, ready-for-graphics models, decorate sign face **before** attaching to base.
- To transport, tip sign on one Upright and hold from other Upright. Sign is only 24" wide and will fit through any doorway.
- Swinger Sidewalk Signs are designed for winds up to 20-25 mph. In the event of high winds bring sign inside, put sandbags on cross-tubes, or add sand to ballast port on inside of Upright by prying out cap.



SWINGER™ Sidewalk Message Board Signs EXTRA PARTS

Message Board "Revitalizer"

SRP \$87.50



model H-MB-REVITALIZER

Make your old Message Board sign look new again.

Contains 1 - 24" x 36" 2-sided sign face with tracks on both sides; 1 set 314 - 4" letters, numbers & symbols (Black letters, Red numbers. See LETTER DISTRIBUTION below), 1 set 22 jumbo Red 8" numbers with "%" and 2 - 9" reversible Red SALE/Special headers.

Message Board "Deluxifier"

SRP \$13.50



model H-MB-DLX+

Make your standard Message Board message Bigger and Better.

Contains 1 set 22 jumbo Red 8" numbers with "%" and 2 - 9" reversible Red SALE/Special headers.



Message Board Sign Face

SRP \$49.50



model H-MB-FACE

Replace your old worn out face.

Contains 1 - 24" x 36" 2-sided replacement Message Board sign face with tracks on both sides to display up to seven lines of copy. Use for Standard or Deluxe models.

"Deluxe" Letters/Numbers/Headers

SRP \$39.50



model H-DLX-LNH

Replacement Deluxe Letters, Numbers and Symbols.

Contains 1 - set 314 - 4" letters, numbers and symbols (Black letters,

Red numbers. See LETTER DISTRIBUTION below), 1 set 22 jumbo Red 8" numbers with "%" and 2 - 9" reversible Red SALE/Special headers.

Message Board 4" Letters

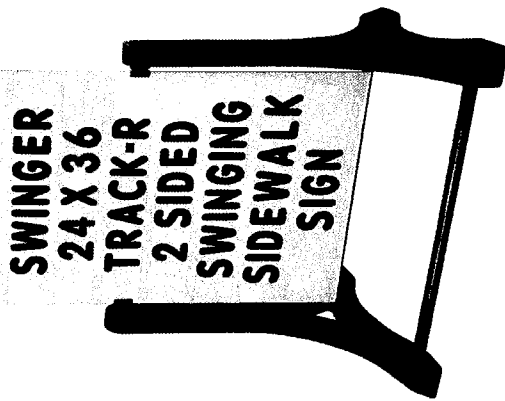
SRP \$27.50



model H-SW-4LN

Replacement basic 4" letters and numbers.

Contains 1 - set 314 - 4" letters, numbers and symbols (Black letters, Red numbers. See LETTER DISTRIBUTION below).



SWINGER
24 X 36
TRACK-R
2 SIDED
SWINGING
SIDEWALK
SIGN

SWINGER™ Sidewalk Sign USER GUIDE

LETTER DISTRIBUTION											
314 - 4" LETTERS, NUMBERS AND SYMBOLS											
A-15	F-6	K-6	P-9	U-6	Z-9	2-6	7-6	(comma)-2	(period)-3		
B-6	G-6	L-9	O-3	V-6	8-2	3-6	8-6	(dash)-5	(colon)-3		
C-6	H-6	M-6	R-9	W-6	5-4	4-6	9-6	(star)-8	(arrow)-6		
D-6	I-12	N-9	S-12	X-3	%-2	5-6	0-6	(bullet)-3	(euro)-2		
E-18	J-6	Q-9	T-9	Y-6	1-6	6-6		(cents)-2			



Joseph Struhl Company, Inc.
195 Atlantic Ave., PO Box N, Garden City Park, NY 11040
1-800-552-0023 • 516-741-3660 • Fax 516-742-3617
www.magicmaster.com