

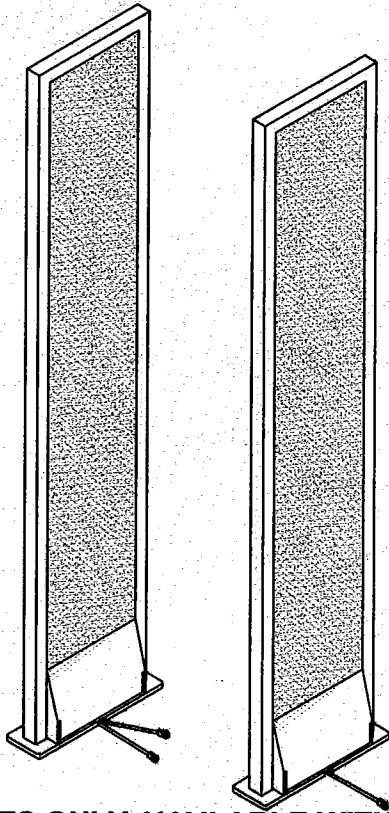
COMMANDER USERS GUIDE INDEX

Parts List.....	1
Baseplate Installation.....	2
Positioning the System.....	3
Permanent Installation.....	4
Wiring Instructions.....	8
Detection.....	11
Paper Label Guidelines.....	12
Hard Tag Guidelines.....	16
Removing Hard Tag.....	19
Alarm Handling.....	21
Troubleshooting.....	22
Warranty.....	Back Cover

PARTS LIST

Remove all contents from packaging. Compare products with the example. If you are missing any parts please contact your supplier immediately. The carton should contain:

TWO COMMANDER ANTENNAS WITH WIRE

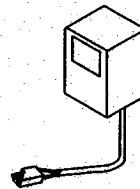


NOTE: WIRES ONLY AVAILABLE WITH BASEPLATE

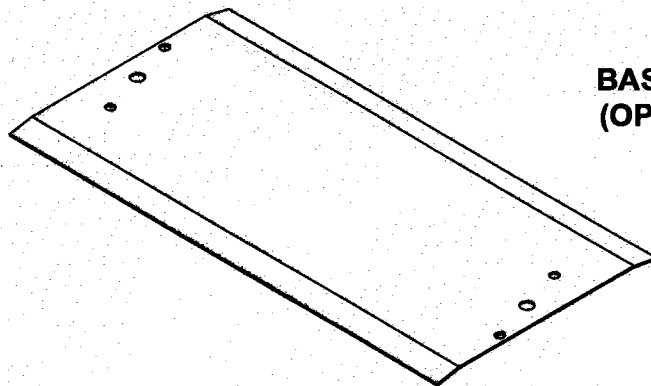
BOLTS AND WASHERS (ONLY WITH BASEPLATE)



POWER SUPPLY WITH 10' OF CORD

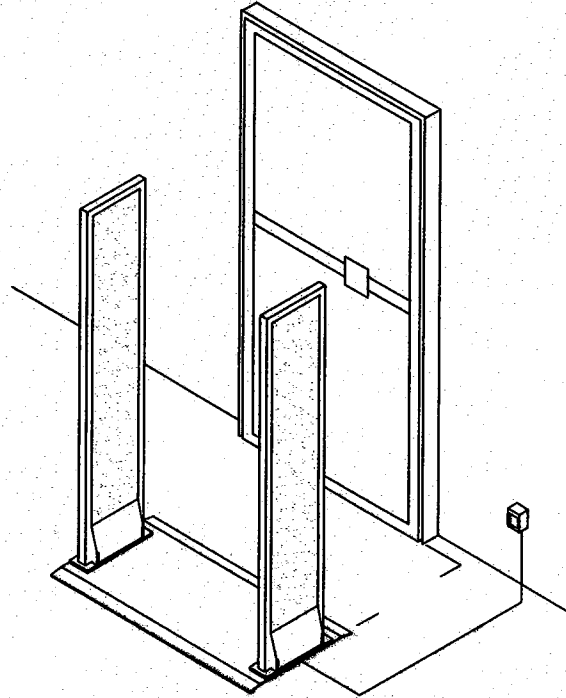


BASEPLATE (OPTIONAL)

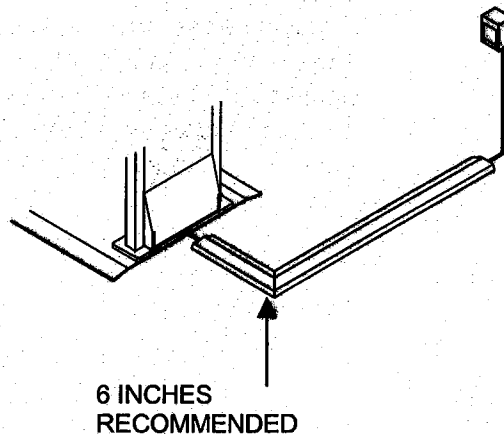


POSITIONING THE SYSTEM

1. Position the system a minimum of 18"(inches) from the doorframe.
2. You must cover the wire using a metal pancake molding(NOT INCLUDED) or rubber molding(NOT INCLUDED) if the wire is in an area where it will be walked upon.
3. Plug the power supply into the closest outlet. We do not recommend using an extension cord for the system.
4. Test the system by placing a single hard tag or paper label into the system. The system will beep approximately 1-1/2 seconds then reset. If a hard tag or paper label is held in the system it will continue to alarm.



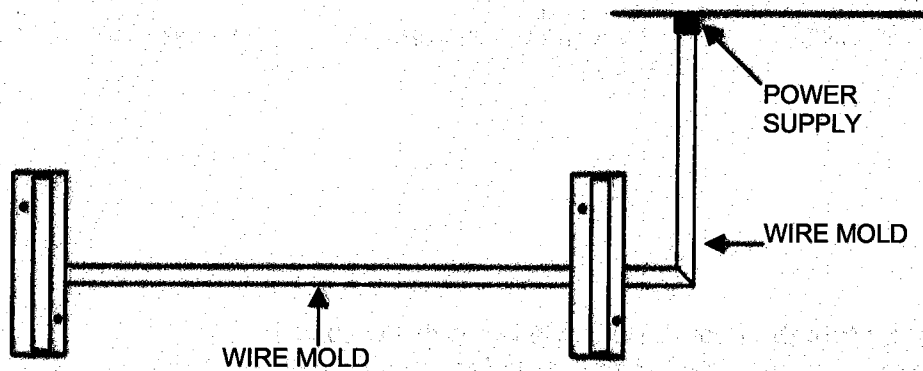
Note: Positioning is the same whether or not system is mounted directly to the floor or is installed on a base plate



PERMANENT INSTALLATION

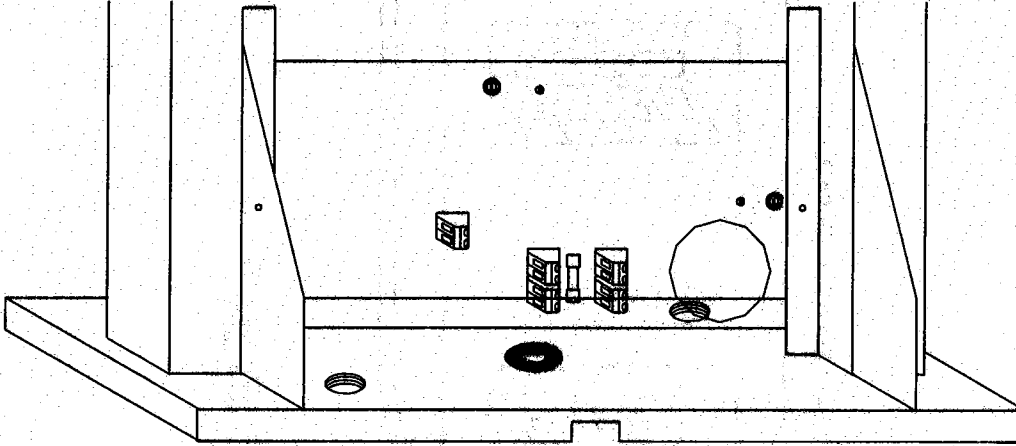
Step 2- Measure the distance between the antennas and make sure that the aisle width is appropriate for the installation site and the size of the detection tag.

<u>Tag Type</u>	<u>Aisle Width/Detection</u>
1.5" Paper Label	36" (91.4cm)
2" Paper Label	48" (122cm)
Flap Label	36" (91.4)
Small Hard Tag	48" (122cm)
Large Hard Tag	66" (168cm)



Square up the antenna to the aisle path. **IMPORTANT: BEFORE DRILLING HOLES FOR BOLTING THE ANTENNAS TO THE FLOOR, THE INSTALLER SHOULD TEST THE SYSTEM IN THE LOCATION IT IS TO BE PLACED.**

FLOOR INSTALLATION



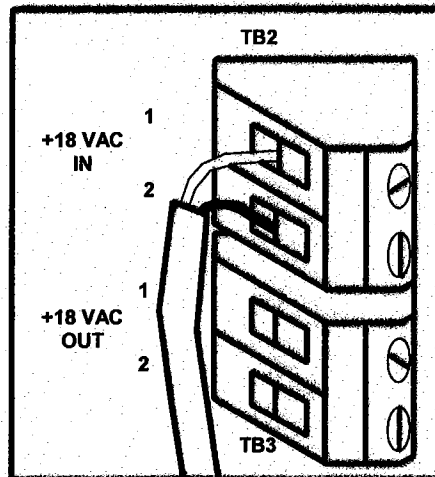
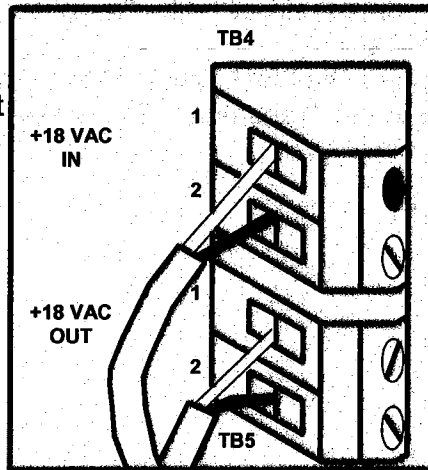
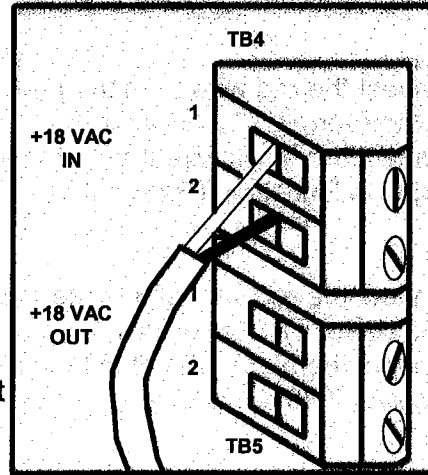
Step 4-Drill the antenna mounting holes using a heavy duty rotary hammer. Drill the holes the size and depth appropriate for the anchors being used and the type of floor being installed on. If the system is being installed on a wooden floor we recommend the use of lag bolts to anchor the system.

Step 5-Clean out holes, install anchors in place (remember to compensate for the width of the baseplate) and bolt antennas in place loosely (this will allow the cables to be placed under the base of the antenna).

WIRING INSTRUCTIONS

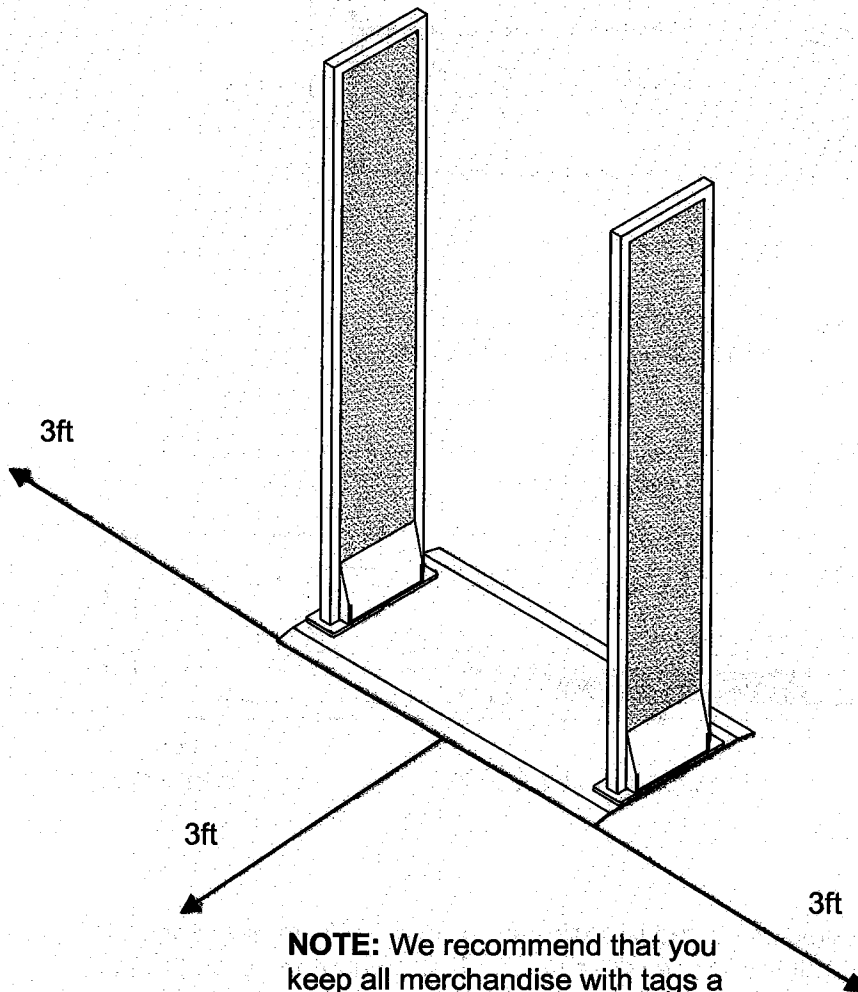
POWER TO TRANSMITTER FIRST

1. Connect the red wire from the power supply to Transmitter TB4 terminal 1.
2. Connect the black wire from the power supply to Transmitter TB4 terminal 2.
3. Connect the red wire of the interconnect pair to Transmitter TB5 terminal 1.
4. Connect the black wire of the interconnect to Transmitter TB5 terminal 2.
5. On the Receiver connect the red wire of the interconnect to the Receiver TB2 terminal 1.
6. Connect the black wire of the interconnect pair to the Receiver TB2 terminal 2.



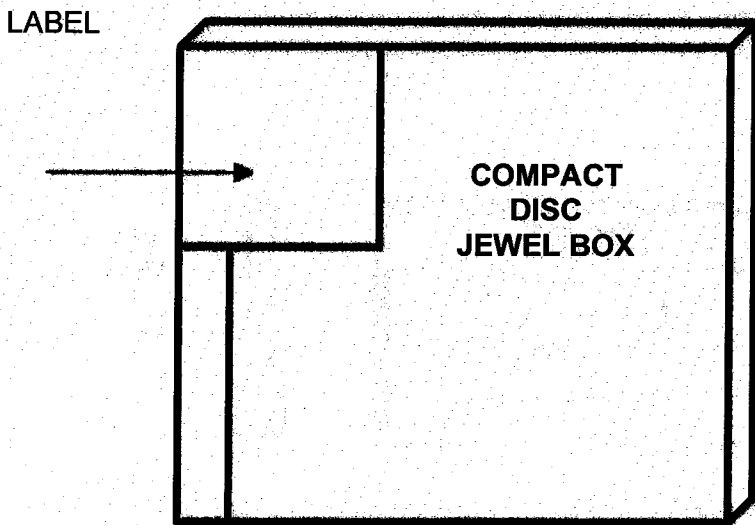
DETECTION AREA

The Commander system will detect hard tags and labels between the two antennas and up to 1 foot on the outside of the antennas.

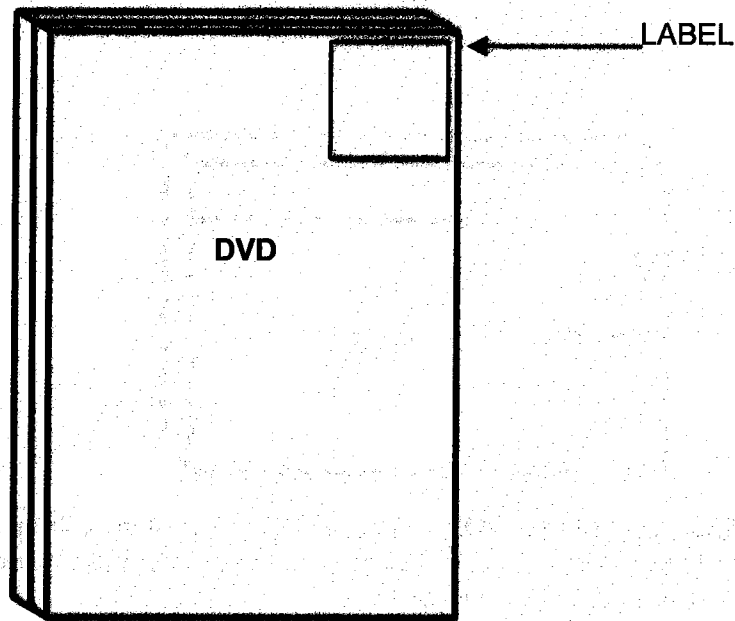


NOTE: We recommend that you keep all merchandise with tags a minimum of 3ft from the sides of the system and 3 feet from the front and back of the system. This will reduce the possibility of the system being alarmed by the displayed merchandise.

PAPER LABEL GUIDELINES

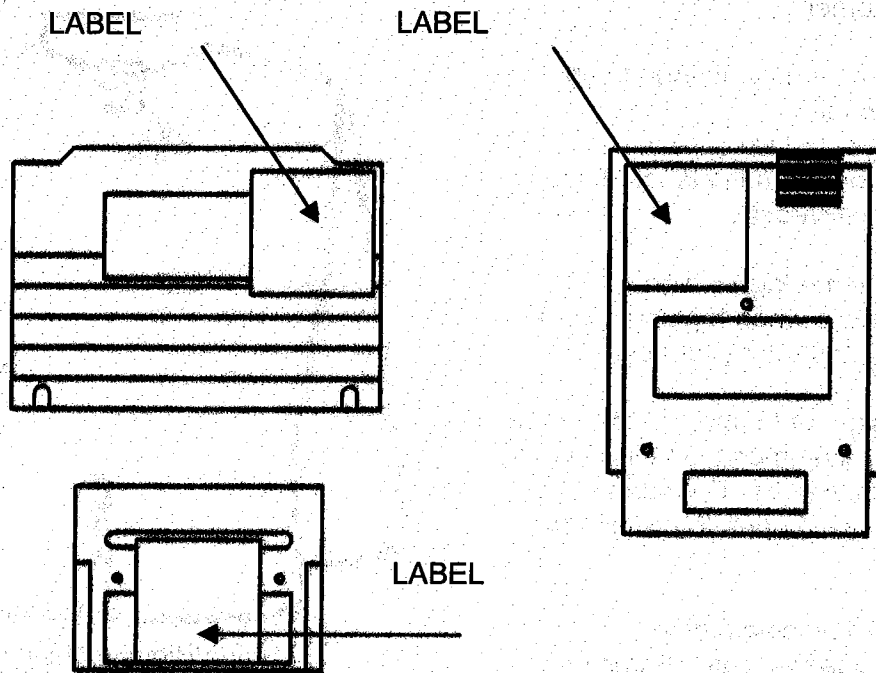


CD BOX – Place the label on any of the four corners. The tag will slightly overlap the actual CD, but your system will work effectively.



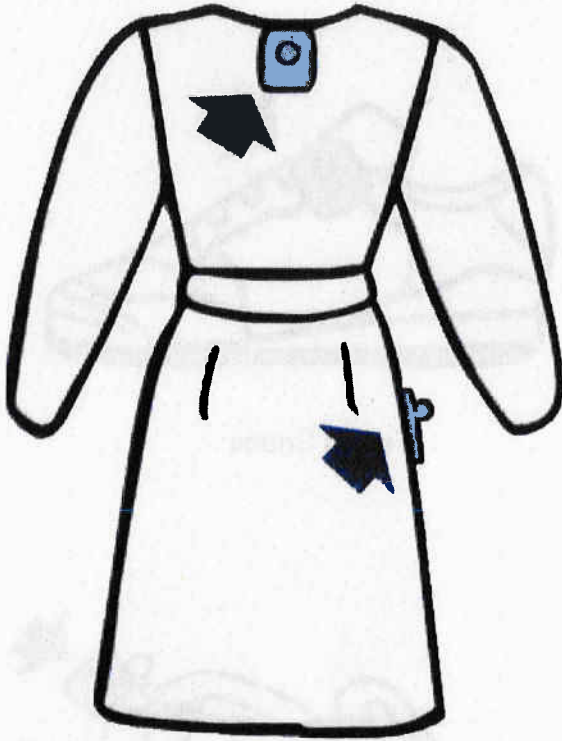
DVD – Place the label on the backside of the case in the upper or lower right corner.

PAPER LABEL GUIDELINES



GAME CARTRIDGES – Place the label on game cartridges as illustrated. Same guidelines apply for PlayStation games.

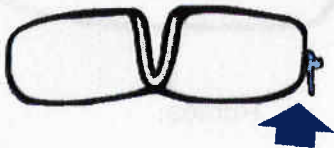
HARD TAG GUIDELINES



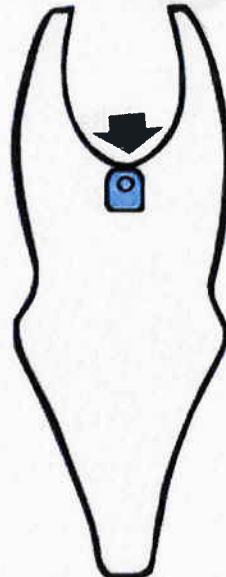
Dresses



Pants



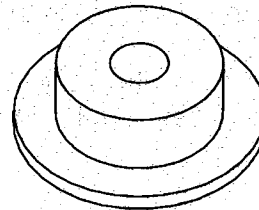
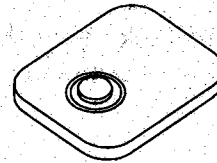
Bikini Bathing Suit



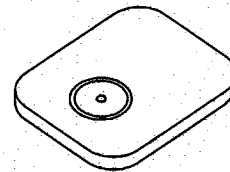
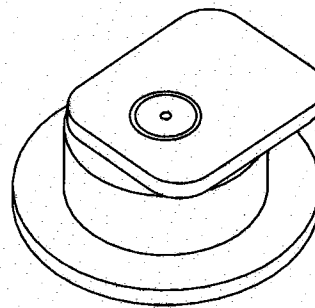
One Piece Bathing Suit

REMOVING HARD TAG

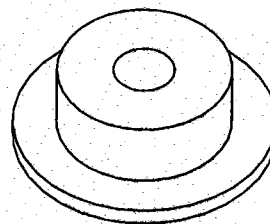
1. Place the hard tag into the detacher with the pin facing up.



2. Remove the pin by holding the hard tag to the detacher and pulling straight up on the pin or garment.



3. Remove the pin and hard tag from the detacher and store for future use.



ALARM HANDLING

There are three reasons for the system to alarm:

1. The **REAL** alarm:
The occurrence of a shoplifting attempt.
2. The **ACCIDENTAL** alarm:
 - a) Personnel neglected to remove a tag at the point of sale.
 - b) An electronic security access card has been carried into the store by a customer, or
 - c) A previously purchased product, with an active tag, from another store using a similar system.
3. The **PHANTOM** alarm:
The alarm sounds for no apparent reason.

If an alarm occurs follow your companies policies and procedures for the type of alarm event.

WARRANTY INFORMATION

- Without prejudice to other rights whether implied by statute or otherwise which the Buyer may have, Manufacturer undertakes, at the Manufacturer's option, forthwith, either to repair, replace or refund the cost of any Products which are, or become defective within a period of twelve (12) months from the date of shipment unless such parts have been obviously misused or abused. Freight and transportation charges paid by Buyer for defective products under warranty returned to Manufacturer shall be refunded under a credit memo to Buyer by Manufacturer. Freight and transportation charges for products repaired or replaced not under warranty shall be paid by Buyer. The aforementioned warranty is explicitly limited to the electronic circuit boards manufactured by Manufacturer.
- Ketec products are warranted only to the extent of any express warranties, which may be given by Ketec with respect to any particular model or unit. Any such warranty given is in lieu of any and all warranties, expressed, implied, or statutory, including, without limitation, any warranties or merchantability or fitness for any particular purpose. All warranties shall become null and void in the event of improper installation of equipment or if any change or alteration is made without the express written authorization by Ketec.

Ketec, Inc.
1256 N. Church Street, Unit A
Moorestown, NJ 08057
Phone: 856-778-4343
Fax: 856-778-8337
www.ketec.com

1. The first part of the document discusses the importance of maintaining accurate records of all transactions.

2. It is essential to ensure that all entries are supported by proper documentation and receipts.

3. Regular audits should be conducted to verify the accuracy of the records and identify any discrepancies.

4. The following table provides a summary of the key findings from the audit process.

Category	Item	Value
Assets	Property	\$1,200,000
	Inventory	\$350,000
	Accounts Receivable	\$250,000
Liabilities	Accounts Payable	\$180,000
	Long-Term Debt	\$450,000
Equity	Shareholders' Equity	\$1,120,000

5. The audit concludes that the financial statements are presented fairly and accurately.

6. The auditor's report is signed and dated as follows:

TROUBLESHOOTING

If a problem develops with the Challenger system it is usually caused by common occurrences. The following is a basic troubleshooting guide to be used prior to contacting your supplier if the need arises. **DO NOT MAKE ANY INTERNAL ADJUSTMENTS TO THE SYSTEM PRIOR TO CONTACTING YOUR SUPPLIER.**

NO DETECTION

1. Insure that the power supply is plugged into an AC with the proper voltage.
2. Feel the case of the power supply for warmth. Warmth indicates the power supply is generating low voltage.
3. Check system detection with more than one hard tag.
4. Turn system 90 degrees and check for detection.
5. Move system to different area of store to check for detection.

WEAK DETECTION

1. Turn system 90 degrees and check detection.
2. Move system to different area of store and check detection.

PHANTOM ALARMS

1. Insure that no tags are within 3 feet of the system.
2. Turn system 90 degrees and monitor phantom alarms.
3. Move system to different area of store and monitor phantom alarms.

Contact your supplier for further instructions.

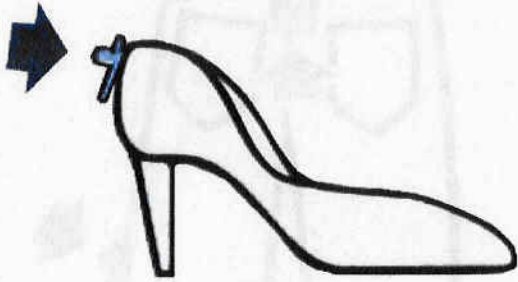
REMOVING HARD TAG

It is possible for the locking mechanism to become jammed when the pin is pulled extremely hard. It is possible to un-jam the pin so that you will be able to remove it when needed.

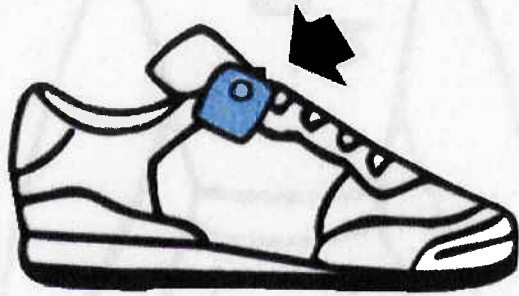
The first step is to place the hard tag into the detacher then press on the head of the pin. This should release the pressure on the locks allowing you to remove the pin.

If you are still unable to release the pin you can tap the locking mechanism (raised area) on the corner of the sales counter, then put the hard tag back into the detacher. The pin should now release.

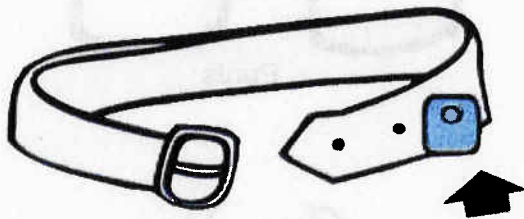
HARD TAG GUIDELINES



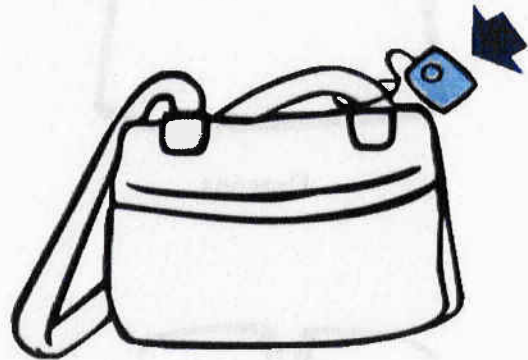
Shoes



Tennis Shoes



Belts



Purses

