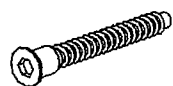
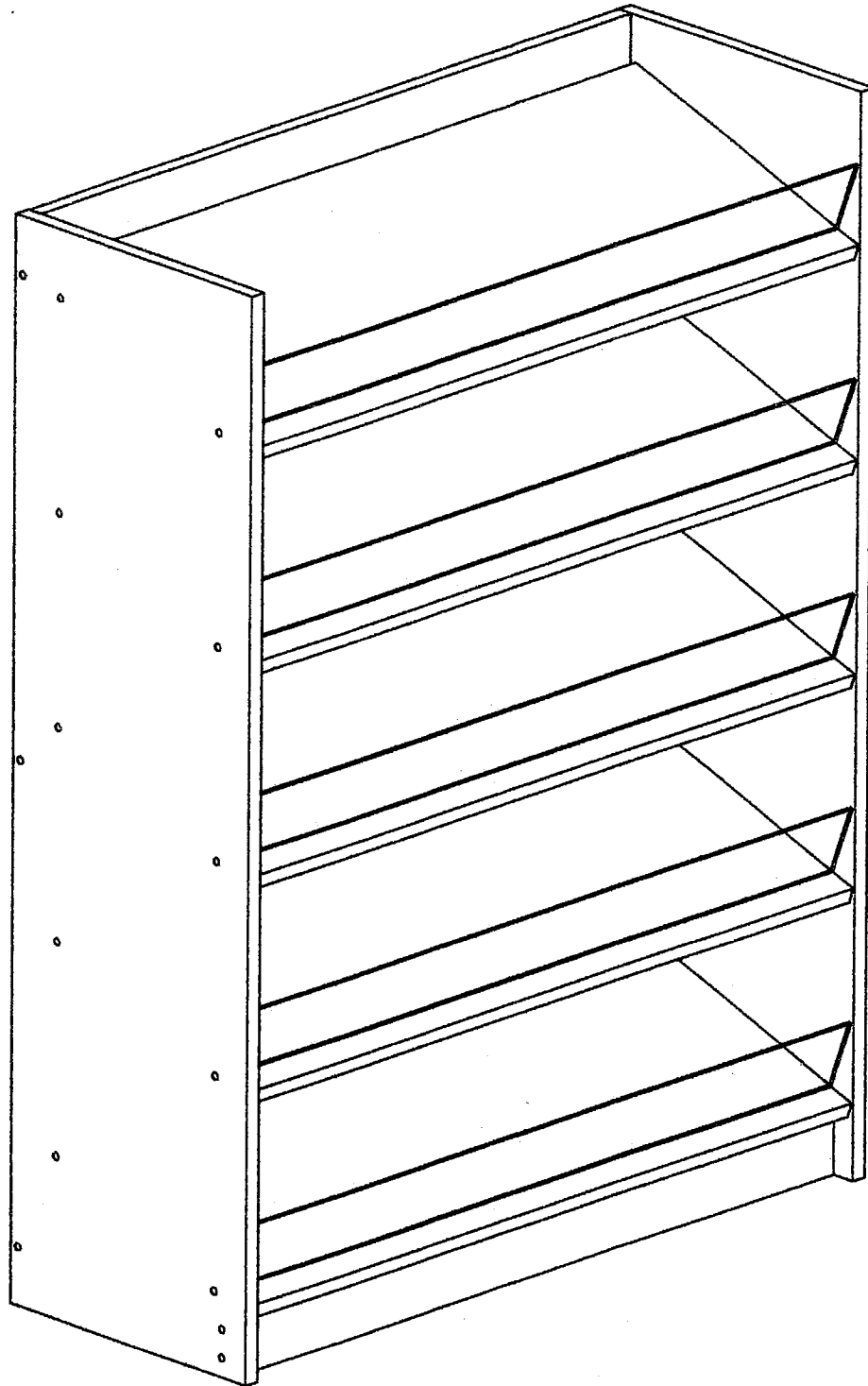
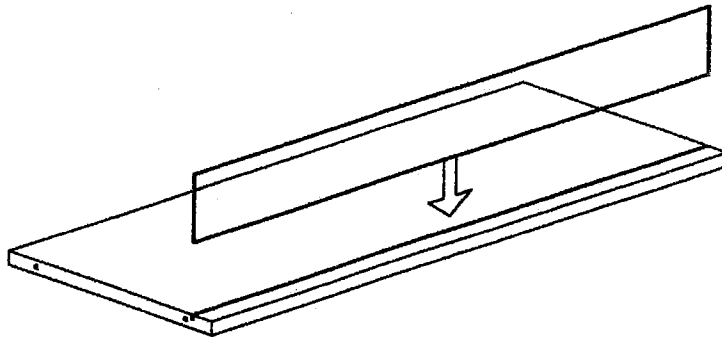


ASSEMBLY INSTRUCTION

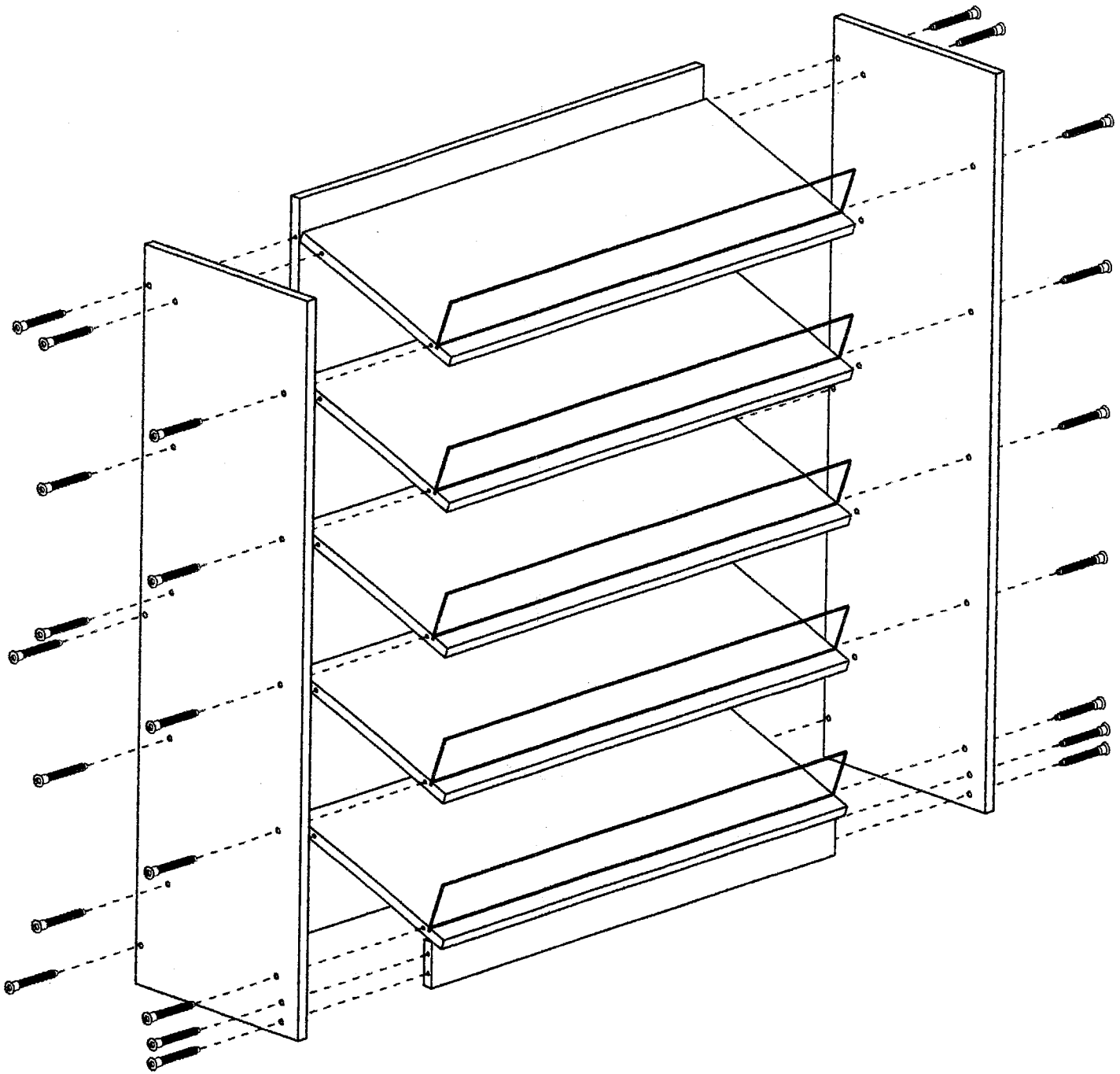
5 SHELF CANDY DISPLAY



× 30



(2)



(5) SHELF TRADING CARD CENTER-#7777

PARTS LIST

- | | |
|-----------------|--|
| (2) Side panels | (28) Screws |
| (1) Back | (28) Caps |
| (5) Shelves | (5) Plastic fronts (separate package) |
| (1) Toe board | |

ASSEMBLY INSTRUCTIONS

- 1) Attach back to side panels using (3) screws each end.
- 2) Attach toe board using (1) screw each end.
- 3) Starting from bottom of display secure shelves in place using (2) screws each end.
(NOTE: Slot in shelf must be towards front edge of display).
- 4) Insert screw cover caps.
- 5) Insert plastic fronts into slot in shelves.

