

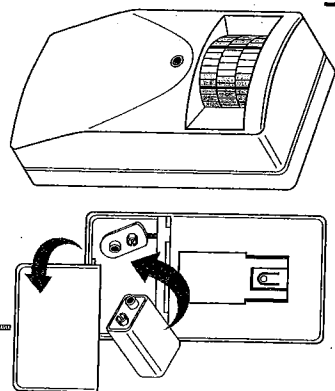
6961

PIR Sensor Transmitter with Wireless Door Chime

The PIR Sensor Transmitter is designed to work with the Door Chime on a distance of 30m (100ft. approx. in open field) and no wiring is required. The PIR Sensor Transmitter detects the movement of heat within an area of 10 metres by 110 degree.

PIR Sensor Transmitter - Battery Installation

1. Remove the locking screw and slide open the battery compartment cover at the rear of PIR Transmitter.
2. Insert 1 x 9 volt alkaline battery (not included) ensuring the battery polarity match the internal marking.
3. Replace the battery compartment cover and screw, then it is ready to use.



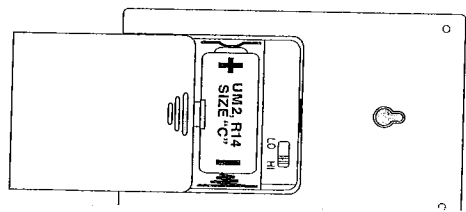
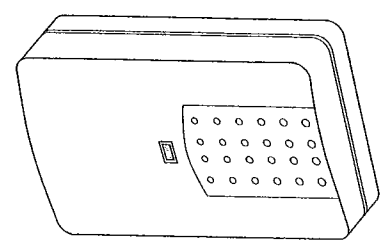
Drill hole and fit wall plug (if fixing to masonry) and screw (self-tapping 3 x 16mm screw) to fixing position. Leave a gap of 3mm between the screw head and the wall. Locate the keyhole slot on the back of the unit over the screw.

Operation

Once the sensor detected any movement in the protecting zone, the LED on PIR Sensor will light up in Green colour as indication, and it sends a wireless signal to the Door Chime unit and the chime sound.

The operating range is upto 30 metres (100 ft. approx. in open field), it can work with the Door Chime virtually anywhere in the home, workshop, office or garden.

However, the transmission range of the wireless signal will be reduced if the signal is transmitter through a number of walls or ceilings. Metal and UPVC doorframes will also reduce the operating range.

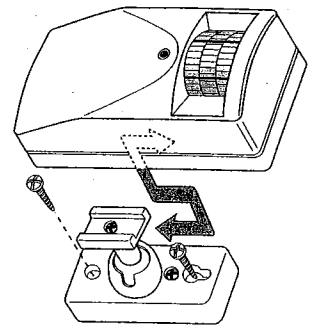


6

Installation

1. Fix the bracket to the wall at the required position using the screws provided. For best coverage, the PIR Sensor Transmitter should be placed at least 2 metres above floor level.
2. Once the required detection angle has been chosen, tighten the locking screw so that unit is held at the correct angle.
3. Slide the PIR Sensor Transmitter onto the bracket by means of the slots at the back.
4. Test to ensure the PIR Sensor Transmitter is located within the operation range before final installation.

Important: Mounting the PIR Sensor Transmitter on the UPVC doorframes or metal surface will reduce the broadcasting range seriously.



Melody Selection

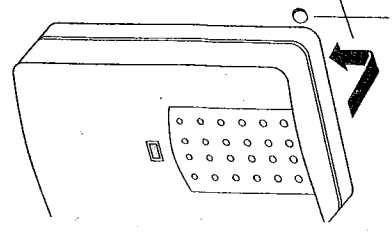
The Melody Selector is located inside the battery compartment of PIR Sensor Transmitter. It is a small button on the top left corner of battery compartment marked with "S". Press the switch once, the melody will change to the next one on the list, there are total 8 melodies for selection. The PIR Sensor Transmitter is pre-set to "Westminster" therefore, if no change is required, it should not be adjusted.

- | | |
|--------------------------|-----------------------|
| 1) Westminster (8-notes) | 5) Banjo on my knee |
| 2) Ding-Dong (2-times) | 6) Twinkle, Twinkle |
| 3) Telephone Ring | 7) It's a small world |
| 4) Circus theme | 8) Dog Barking |

- ### Door Chime unit - Battery Installation
1. Remove the battery compartment door from the back of the unit by sliding it away from the unit.
 2. Insert 2 x 1.5 volt alkaline batteries ("C", UM2 & R14 - not included) into the battery compartment, ensuring the battery match the internal markings.
 3. The Door Chime unit is equipped with advanced self-learning operation code ability, once it is connected with power, it will give 2-beeps sound to indicate that it is ready for the new operation code registration. (Please see digital code set up).
 4. Close the battery compartment door, the chime unit is ready to use.

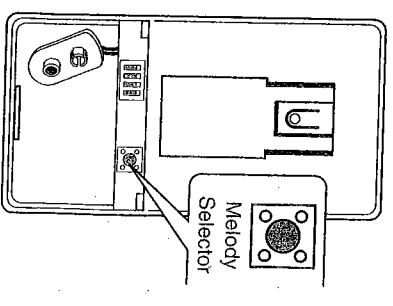
Installation

It has a slotted hang hole on the rear, this will enable the Chime unit to be hooked onto a screw and easily removed or relocated to another room.



5

Optional: One Door Chime unit can work with more than one PIR Sensor Transmitter, you can purchase a further PIR Sensor Transmitter(s) for installation at the different are. Adjust the melody selector, so that each of the PIR Sensor Transmitters will operate different melodies with the Door Chime unit for identification. Do not install more than one PIR Sensor Transmitter in one room.

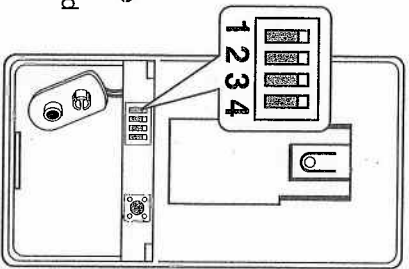


4

Digital Code Set Up

The unit comes from the factory on a pre-set radio frequency digital code. However, should your Door Chime activate intermittently for no reason at all, it is possible that a similar unit is operating nearby on the same frequency digital code. The encoded frequency of the PIR Sensor Transmitter and Door Chime Receiver can be changed to avoid this problem. The Door Chime unit is equipped with advanced self-learning operation code ability, the refore no setting is needed.

1. Remove locking screw of the battery compartment door at the rear of PIR Sensor Transmitter and slide open it.
2. There is a 4-positions dipswitch in Red colour, which is located on the top left of battery compartment, in position 1, 2, 3 & 4, which can be altered to achieve total sixteen (16) possible digital codes.
3. To set the code by select the switch to "ON" or "OFF", then activate the PIR Sensor Transmitter so that the Door Chime unit will sound to indicate that operation code is registered and memorized, and it will only work with it.
4. To re-set the operation code, simply remove the batteries from the Door Chime unit and rest for 30 seconds, it will erase the memory. Re-insert the batteries into the Door Chime unit, it will give 2-beeps sound to indicate that it is ready for the new operation code registration. Activate the PIR Sensor Transmitter again to confirm the new code is working.
5. Test to ensure correct operation before final installation.



Important

1. Do not mount the PIR Sensor Transmitter onto any metal surfaces or UPVC doorframe, as this will reduce the operating range seriously.
2. Do not expose the PIR Sensor transmitter directly to rain or immerse in water.
3. Do not mount the unit close to fireplace or expose it to high temperature.
4. Do not use rechargeable battery.
5. Do not leave exhausted batteries in either unit. If leaving the PIR Sensor Transmitter for long periods, remove the battery from compartment to prevent leakage.
6. Always use alkaline battery as it will give longer service and are less likely to leak.
7. The PIR Sensor Transmitter is designed for indoor use only.
8. Please dispose of old, defective batteries in an environmental friendly manner in accordance with the relevant legislation.
9. Make sure that no naked flame sources, such as lighted candles, should be placed on the unit.
10. The unit should not be exposed to dripping or splashing and that no objects filled with liquids, such as vases, shall be placed on the unit.
11. **CAUTION:** Replace only with the same or equivalent type of battery that recommended by the manufacturer.
12. **CAUTION:** Danger of explosion if battery is incorrectly installed or replaced.

Specification

Power Supply	: 1 x 9 volt battery (not included)
Detection Angle	: 110 degree (horizontal), 20 degree (vertical)
Detection Coverage	: 10 metres
Operation Temperature	: -10 C / +35°C
Operation Distance	: 30 metre (100 ft. approx. in open field)
Selectable Melodies	: 8 melodies
Selectable Channel	: Total sixteen (16 possible coded frequency)

Instruction to the User

This equipment has been tested and found to comply with the limits for a class B digital device, pursuant to part 15 of the FCC Rules. These limits are designed to provide reasonable protection against harmful interference in a residential installation. This equipment generates, uses and can radiate radio frequency energy and if not installed and used in accordance with the instructions, may cause harmful interference to radio communications.

The user is cautioned that changes and modifications made to the equipment without the approval of manufacturer could void the user's authority to operate this equipment.

CE0681



Type R2 Device - device where the sound output is created by the initial operation of the control and where the period of sound output continues for designed duration irrespective of condition of the control.