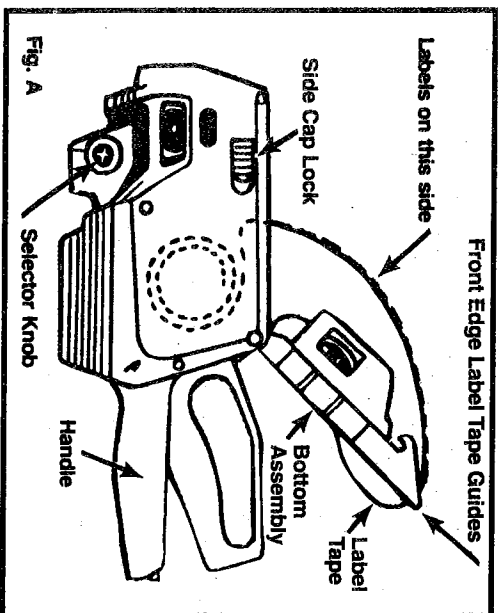


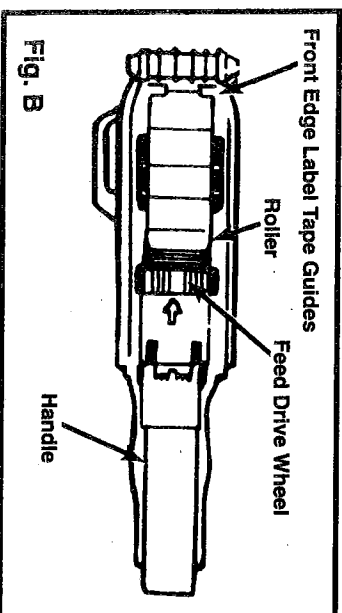
HANDLING INSTRUCTIONS



TO LOAD LABEL GUN

Press both side cap locks and open bottom assembly. Insert label tape as shown in Fig. A. Thread label tape under front edge of label tape guides (Fig. B) and close bottom assembly until it snaps.

Feed label tape between feed drive wheel and roller. Squeeze handle 6 or 7 times. The tape will feed through the gun. Set print head to desired setting. The gun is now ready to use.

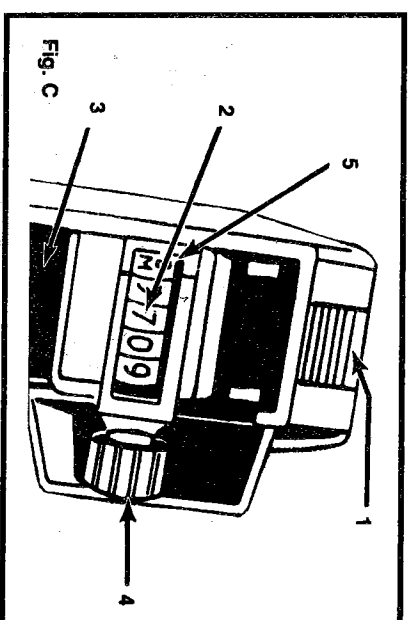


SETTING THE PRICE CODE

Pull selector knob (Fig. C, No. 4) out to desired position shown by selector indicator (Fig. C, No. 5) and turn knob. The white number (Fig. C, No. 2) appearing in the window will be the same as number printing. Always be sure that the **white** portion of the band is displayed in the window.

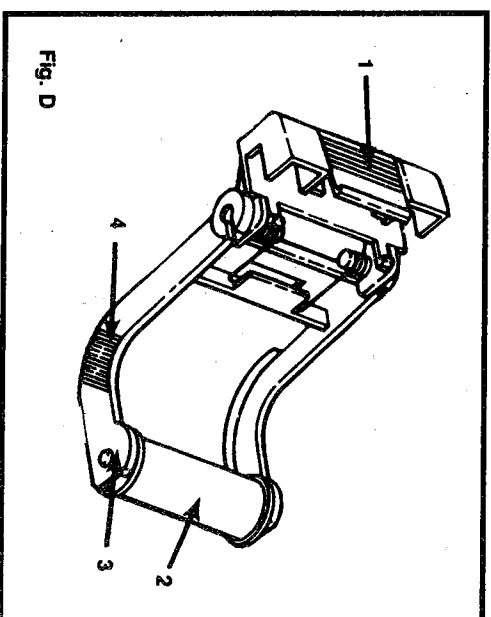
IMPORTANT:

Band selector indicator must be positioned as shown in Fig. C before operating gun.



SLUGS

Optional printing slug can be inserted in open slot at back of printing head (Fig. C, No. 3).



TO REMOVE INK ROLLER CARRIAGE

Squeeze handle, exposing ridged areas (Fig. D, No. 4) of carriage, with thumb and index finger, pull carriage outward. To remove ink roller (Fig. D, No. 2) spread carriage legs apart (Fig. D, No. 3). Roller will drop out.

TO REPLACE INK ROLLER CARRIAGE

With thumb and index finger, insert carriage lip (Fig. D, No. 1) into **small** rectangular opening at top/front of gun at a 30-45° angle, when lip is fully inserted into opening simply push carriage in and downward.

6071