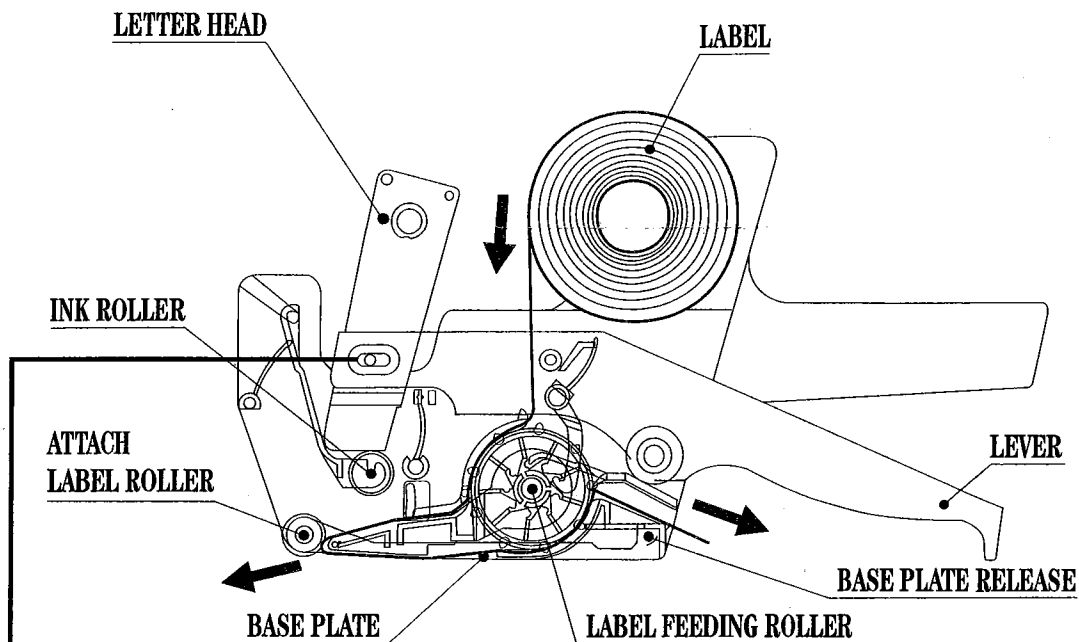
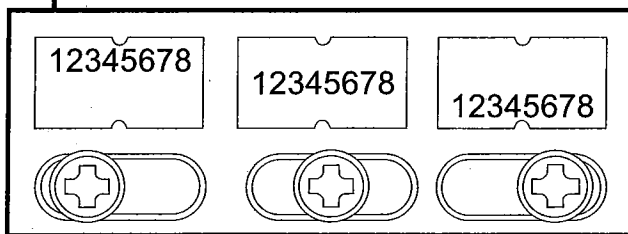


MX-5500

INSTRUCTION

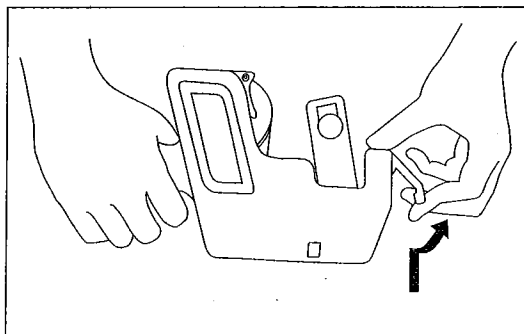


ADJUSTING THE PRINTING POSITION

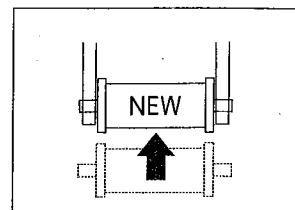
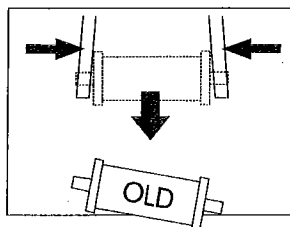


- 1) For upper-position printing.
- 2) For center-position printing.
- 3) For lower-position printing.

CHANGING INK ROLLER



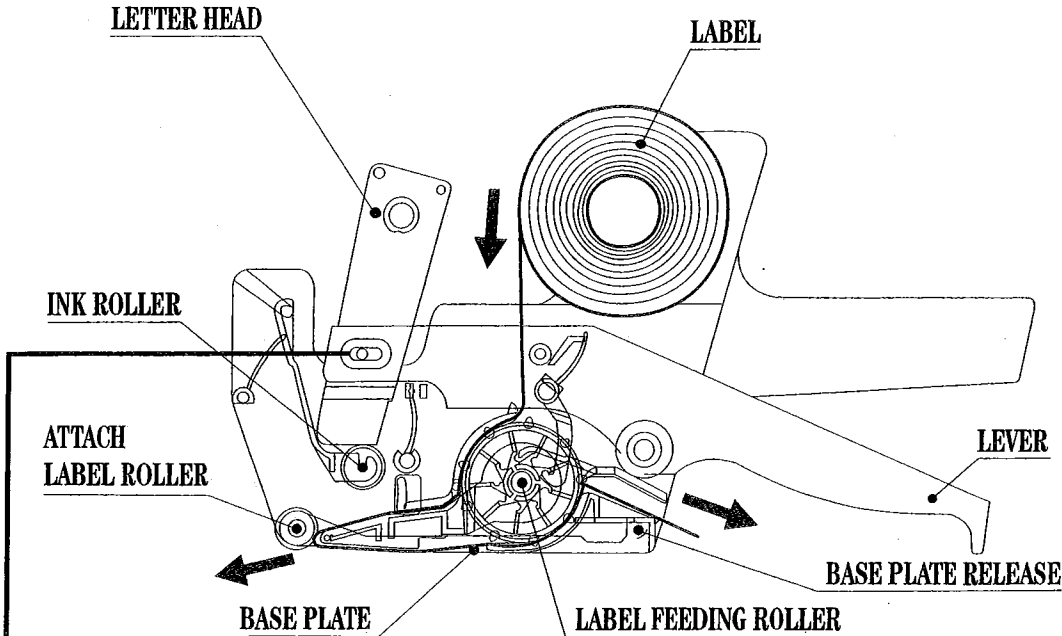
- 1) Press and take-out the ink roller case.
- 2) Push the each side and take-out ink roller
- 3) Insert the new ink roller.



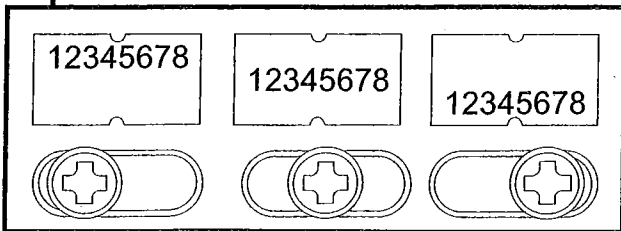
5005

MX-5500

INSTRUCTION

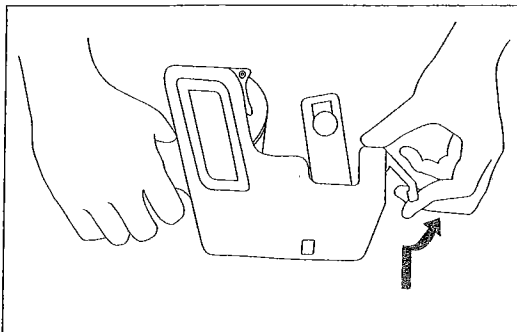


ADJUSTING THE PRINTING POSITION

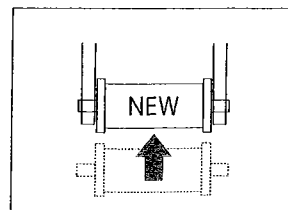
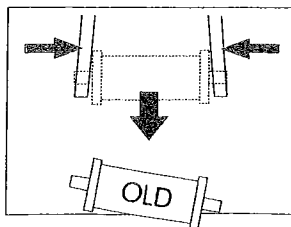


- 1) For upper-position printing.
- 2) For center-position printing.
- 3) For lower-position printing.

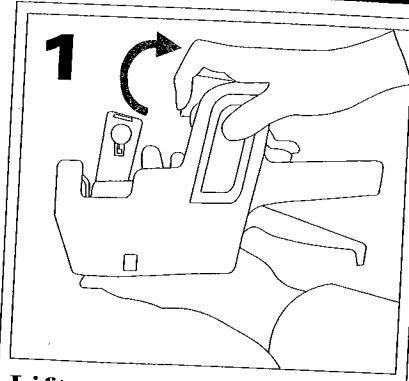
CHANGING INK ROLLER



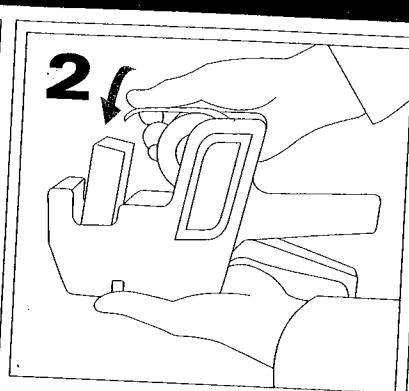
- 1) Press and take-out the ink roller case.
- 2) Push the each side and take-out ink roller
- 3) Insert the new ink roller.



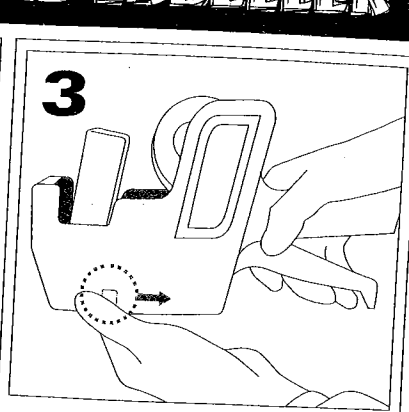
INSERTING LABEL & USE THE LABELLER



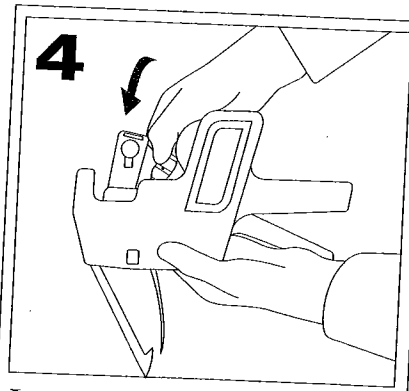
1 Lift open label holder.



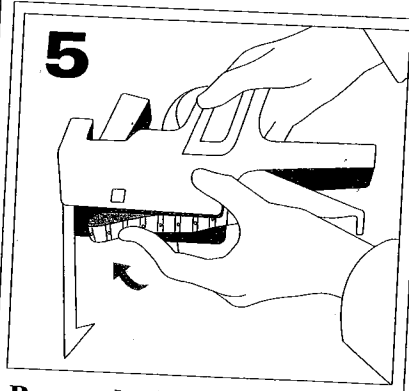
2 Load label roll on to the label holder and press label holder closed.



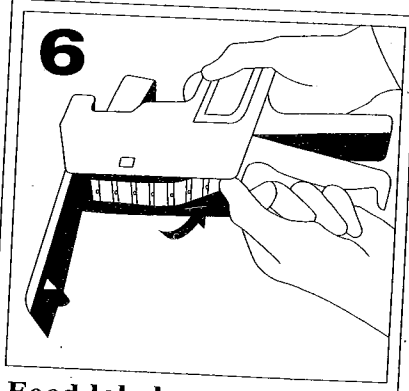
3 Open the base plate by base plate open key.



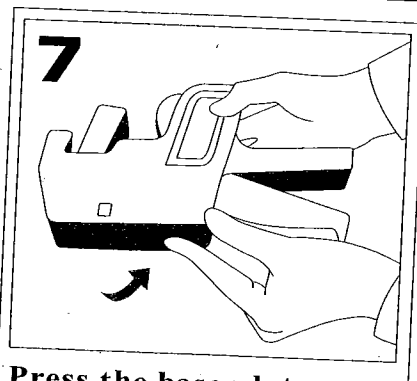
4 Insert the label through the label tunnel.



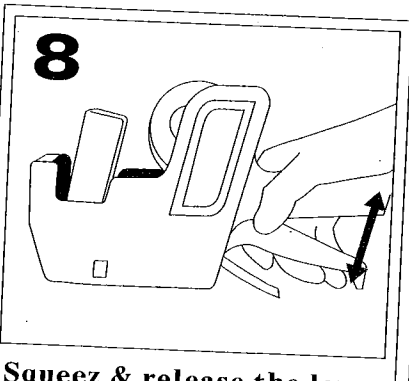
5 Press the base plate closed.



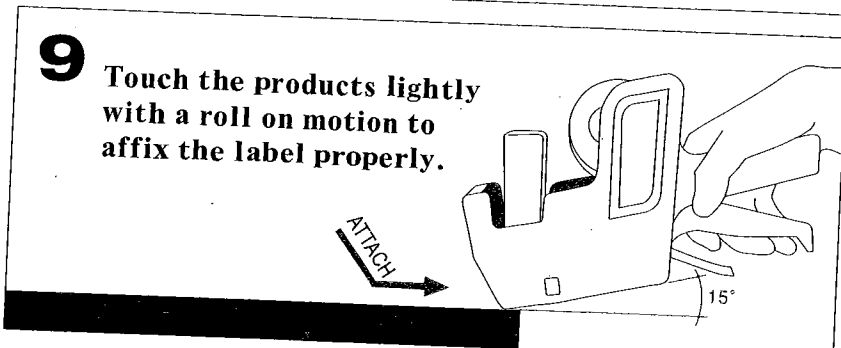
6 Feed labels out the rear of the breaker while lining up the holes on the feeding with the labels.



7 Press the base plate cover closed.

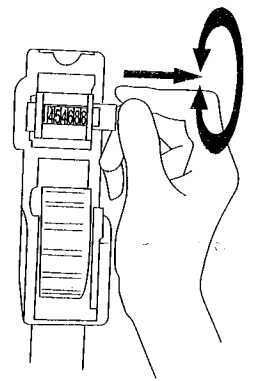


8 Squeeze & release the lever.



9 Touch the products lightly with a roll on motion to affix the label properly.

SETTING THE LABEL HEAD

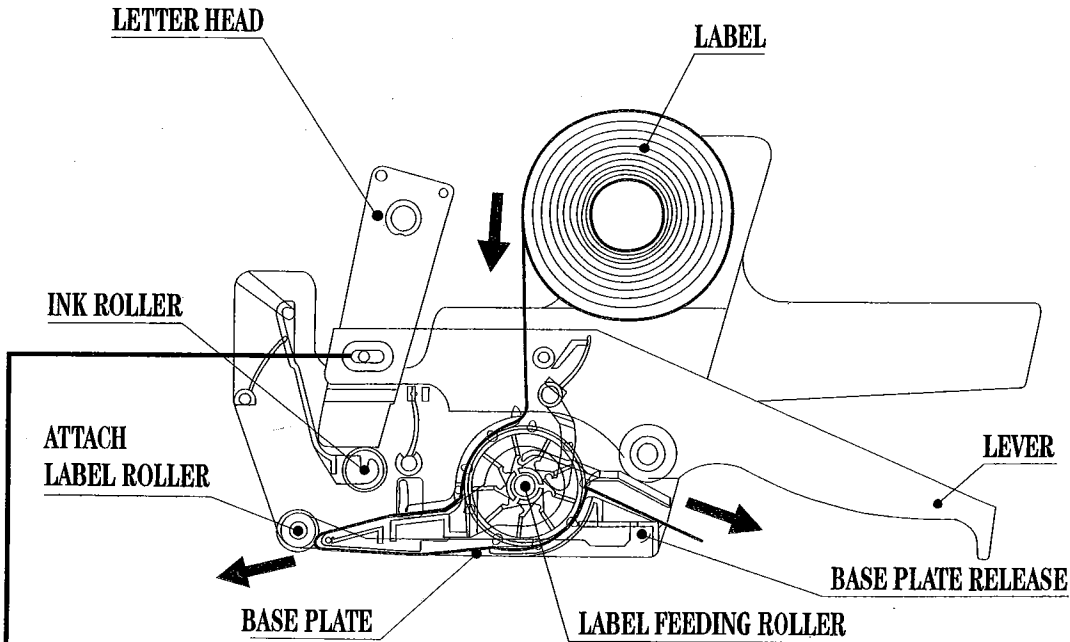


- 1) Pull dial shaft outward and rotate each wheel to the desired position.
- 2) Numbers can be set from the left or the right.
- 3) When the price is set, slide the dial shaft inward.

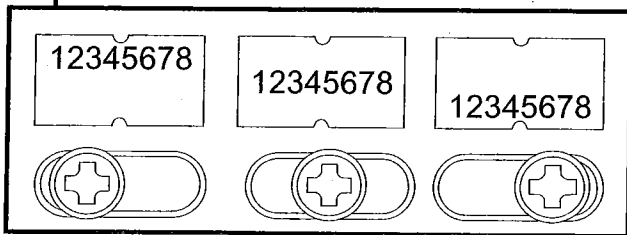
5005

MX-5500

INSTRUCTION

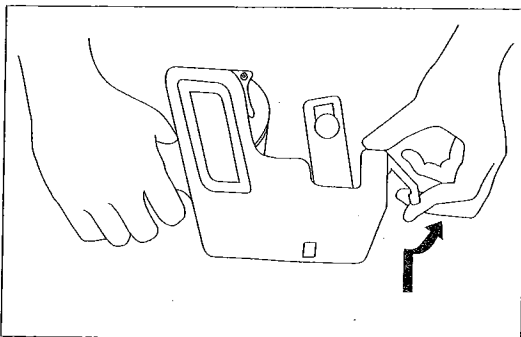


ADJUSTING THE PRINTING POSITION

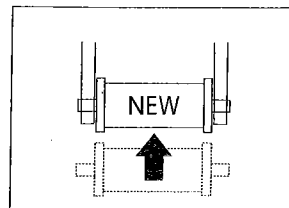
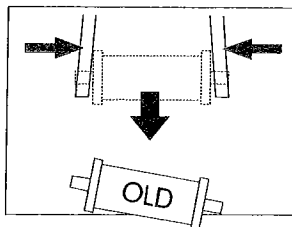


- 1) For upper-position printing.
- 2) For center-position printing.
- 3) For below-position printing.

CHANGING INK ROLLER

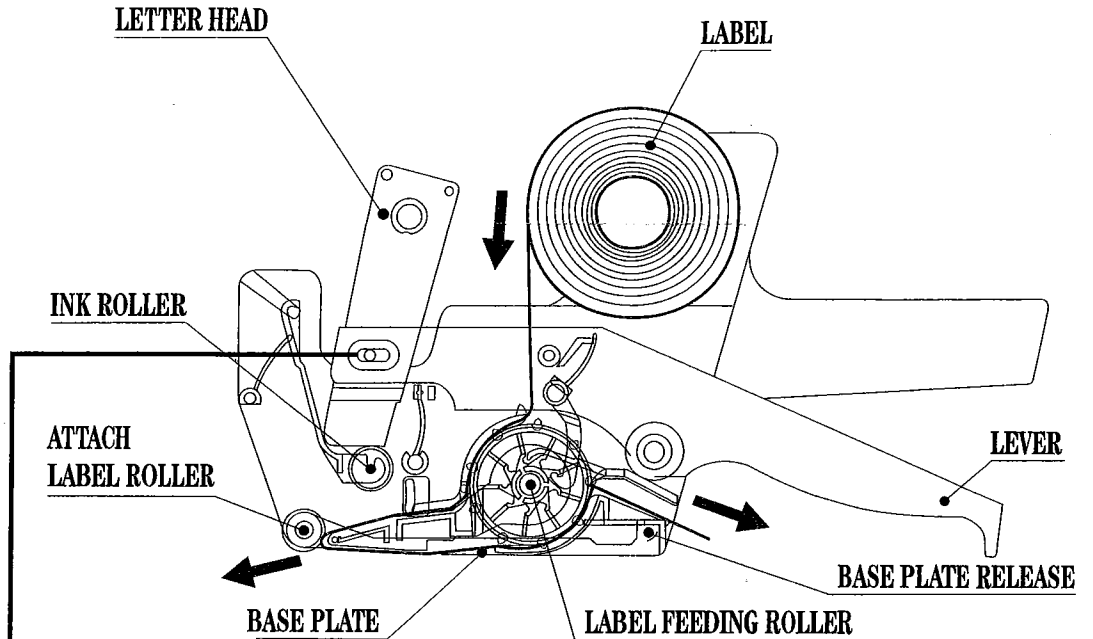


- 1) Press and take-out the ink roller case.
- 2) Push the each side and take-out ink roller
- 3) Insert the new ink roller.

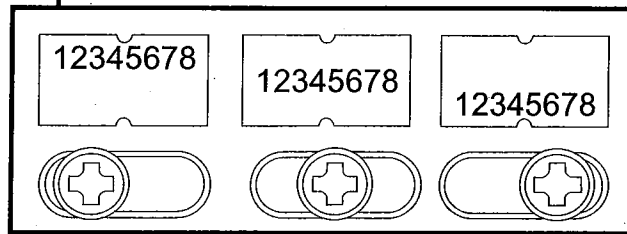


MX-5500

INSTRUCTION

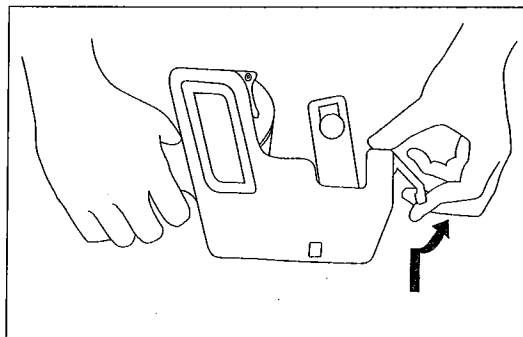


ADJUSTING THE PRINTING POSITION

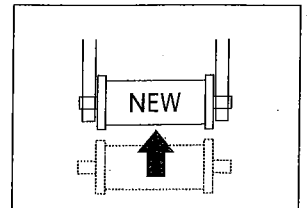
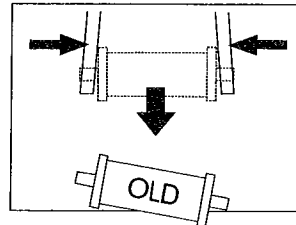


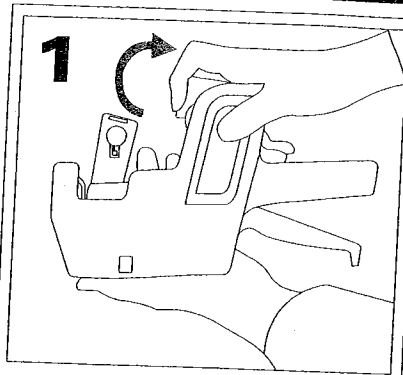
- 1) For upper-position printing.
- 2) For center-position printing.
- 3) For lower-position printing.

CHANGING INK ROLLER

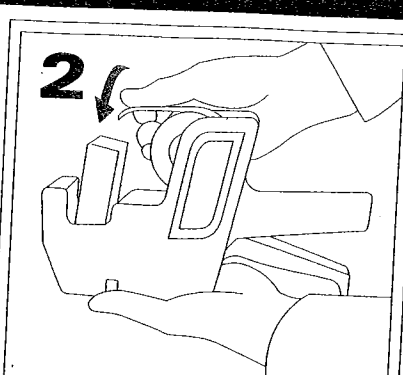


- 1) Press and take-out the ink roller case.
- 2) Push the each side and take-out ink roller
- 3) Insert the new ink roller.

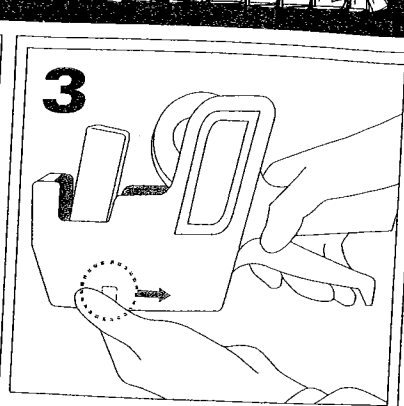




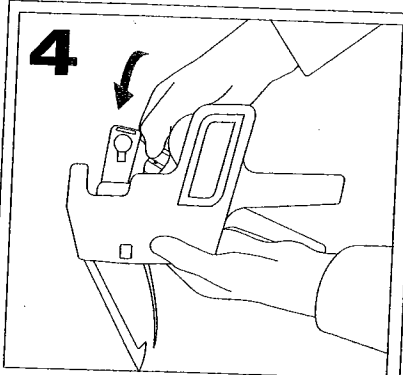
1 Lift open label holder.



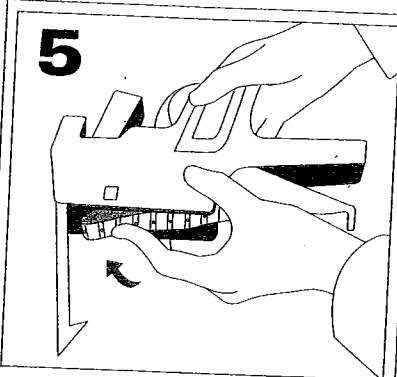
2 Load label roll on to the label holder and press label holder closed.



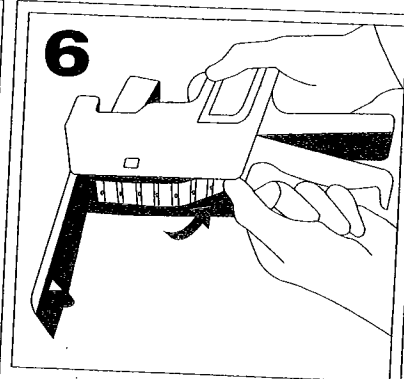
3 Open the base plate by base plate open key.



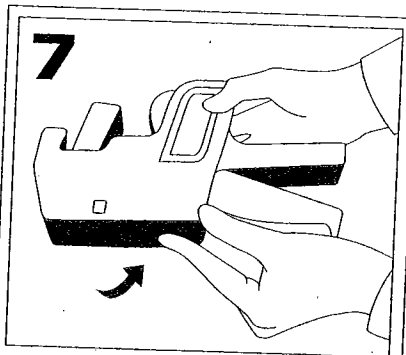
4 Insert the label through the label tunnel.



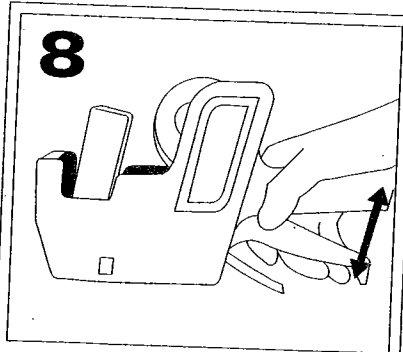
5 Press the base plate closed.



6 Feed labels out the rear of the breaker while lining up the holes on the feeding with the labels.

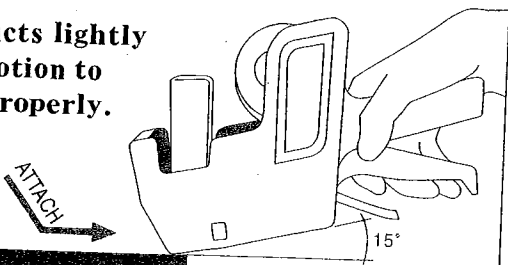


7 Press the base plate cover closed.

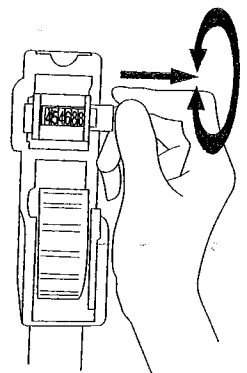


8 Squeeze & release the lever.

9 Touch the products lightly with a roll on motion to affix the label properly.



SETTING THE LABEL HEAD



- 1) Pull dial shaft outward and rotate each wheel to the desired position.
- 2) Numbers can be set from the left or the right.
- 3) When the price is set, slide the dial shaft inward.