



Assembly Instructions

1. Install anti-slip feet by pushing feet into holes on bottom of Uprights and pressing drive pin in completely to lock foot in hole.
2. Attach Cross Tubes to Uprights using Cross Tube Inserts (small bushings) and Truss Head Bolts. Put Tube Insert into Cross Tube (small end in), slide Cross Tube into deep recess of Upright, insert Truss Head Bolt and tighten. Repeat until both Cross Tubes are in place.
3. Measure 13 1/2" - 13 3/4" (35cm) down from top of sign face and mark edge. This is where the Cross Rod will slide through sign.
4. Attach sign to Uprights using Sign Holder Bushing, Knob Bushing, Threaded Cross Rod and Knobs.

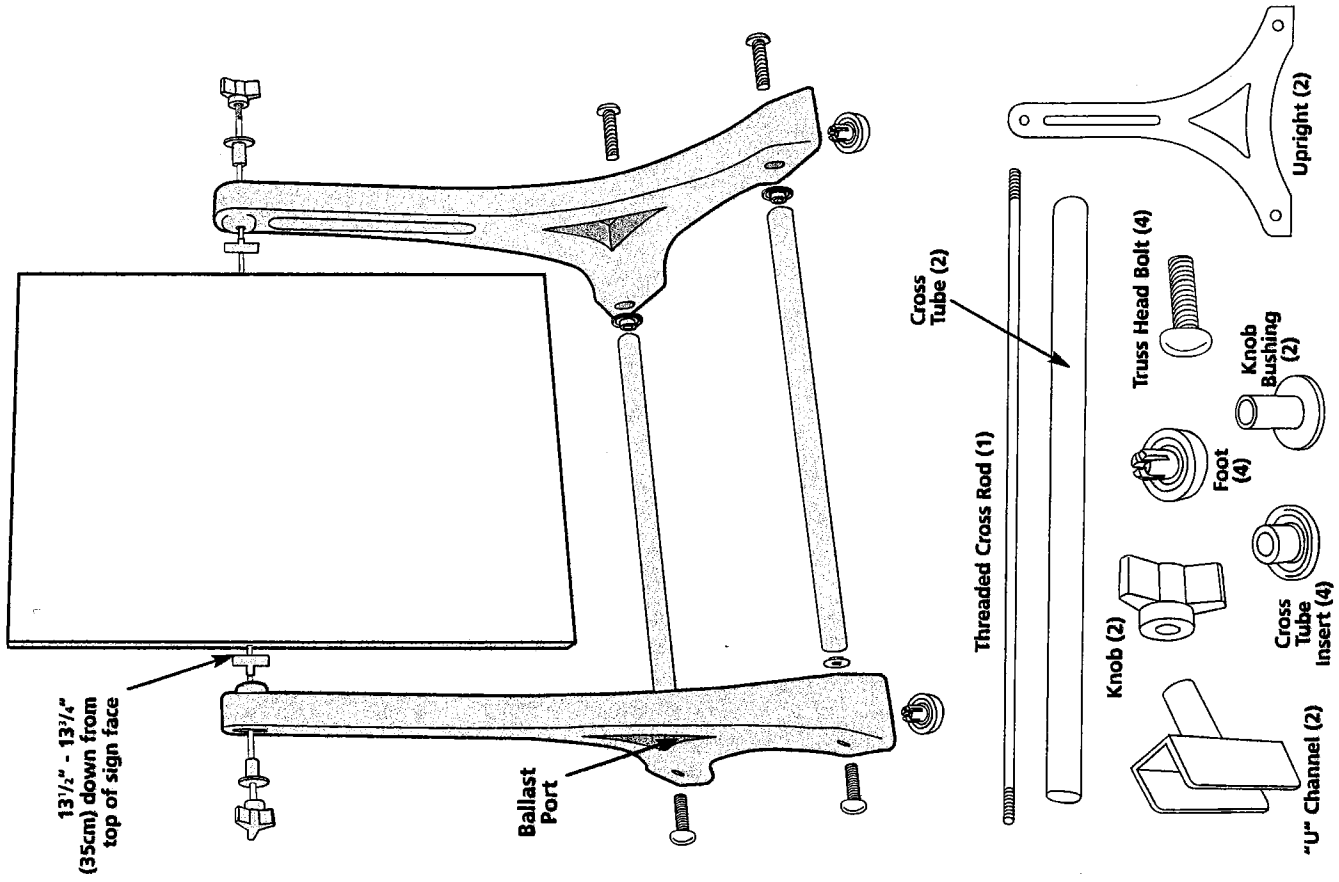
Best Method:

- attach Knob to one end of Threaded Cross Rod
- slide on Knob Bushing, large flat face against Knob
- insert Threaded Cross Rod into hole at top of Upright from outside edge
- slide on Sign Holder Bushing, "U" Channel facing in
- insert Threaded Cross Rod into sign face at mark 13 1/2" - 13 3/4" (35cm) from top
- slide on Sign Holder Bushing, "U" Channel facing sign
- insert Threaded Cross Rod into hole at top of Upright
- slide on Knob Bushing, large flat face out
- tighten Knobs firmly making sure sign face sits in "U" Channels

HELPFUL HINTS

- Keep wording/design simple for maximum impact.
- For blank, ready-for-graphics models, decorate sign face before attaching to base.
- To transport, tip sign on one Upright and hold from other Upright. Sign is only 24" wide and will fit through any doorway.
- Swinger Sidewalk Signs are designed for winds up to 20-25 mph. In the event of high winds bring sign inside, put sandbags on crosstubes, or add sand to ballast port on inside of Upright by prying out cap.

© Copyright 2002 Joseph Struhl Company, Inc.
Prices and specifications subject to change without notice.



40040 + 40100