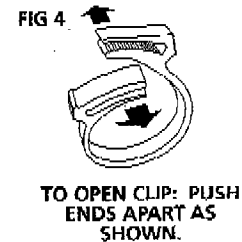
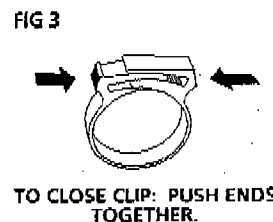
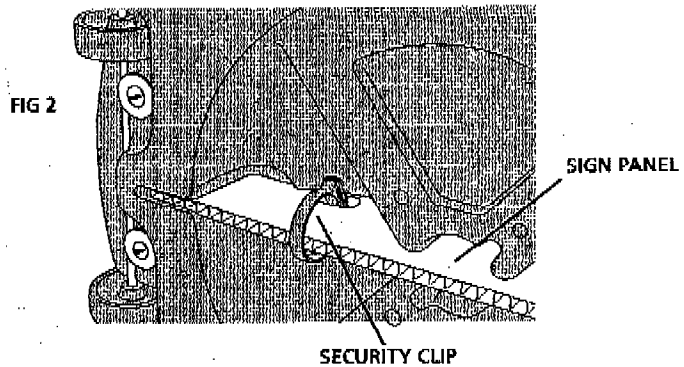
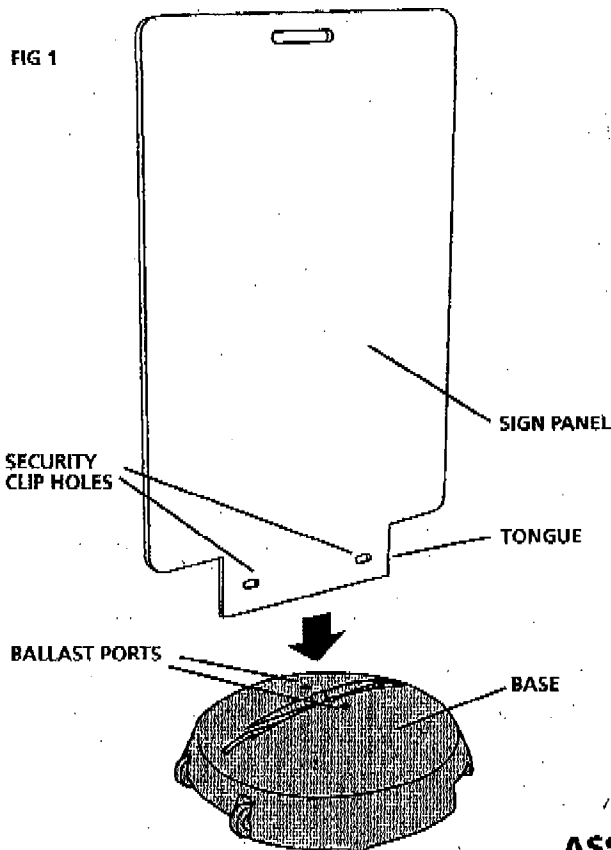


Tip 'n Roll™ Rolling Sidewalk Sign USER GUIDE



ASSEMBLY

1. Install the 3 no-mar anti-slip feet by pushing Feet into holes on bottom of Base and pressing drive pin in completely to lock foot into hole.
2. Install the Sign Panel by inserting the cut out portion (tongue) into the slot in the top of the Base.
3. Install the Sign Panel before lettering the Message Board or after decorating the Ready 4 Graphics model.
4. Turn the sign on its side to reveal the bottom and install the 2 Security Clips into the holes in the Sign Panel that are visible from the bottom of the sign. The head of the clip fits in the hole and then ratchets together by squeezing. To remove, just slide the mating parts sideways as illustrated. See FIG. 3 & 4.
5. Remove the Ballast Port Plugs and fill the Base with sand, gravel or water. If using water do not exceed 3 gallons. Unit can withstand freezing but salt or RV antifreeze can be added to prevent freezing.
6. The sign is now ready for use. To move sign just grip the handhold, tip the sign and roll into position by pulling.

HELPFUL HINTS

- Sign rolls best by pulling, not pushing.
- Letter the Message Board models after the sign face has been installed by bending the letter sheets at the score lines to break apart the letters.
- Decorate the Ready 4 Graphics model before installation. Sign panel can be decorated with digital graphics, computer cut vinyl graphic or screen-printing.
- Keep design/layout simple for maximum impact. For more versatility put a different message on each side.
- To empty ballast (water, sand, etc.) remove Ballast Caps and pour out material. Replace Ballast Cap.
- Tip'n Roll™ signs are designed for winds up to 20-30 mph. In the event of higher winds bring sign inside or add more ballast.

ASSEMBLY

1. Install the 3 no-mar anti-slip feet by pushing feet into holes on bottom of Base and pressing drive pin completely to lock foot into hole.
2. Remove the ballast port plugs and fill the Wheellee™ with sand, gravel or water. If using water do not exceed 3 gallons. Add salt or RV antifreeze to prevent freezing.

WHEEL ATTACHMENT (Optional)

- Insert the Brass Inserts into the holes in the wheel cutout, making sure the split end is pointed down and the top is flush with the top of the hole. You may have to tap the insert lightly to set it in the hole.
- Insert the Wheels onto Axle and, place in recess making sure the wheels fit into wheel cutouts.
- Secure the Axle using the Washers and Bolts. Do not over tighten.

PANEL SIGN

- The slot in the Wheellee™ Universal Sign Base accepts 1/2" (10mm) thick material which should have a 4"x 17-1/2" tongue on the bottom to engage the Slot. This is easily done by cutting out the corners of the sign panel.
- If using 10mm corrugated plastic the flutes should run vertically (up/down) to prevent bending in heavy winds. 1/4" rods with a small bend can be inserted into the flutes for extra strength.
- If using sign face material thinner than 1/2" just add spacers for the 4"x 17-1/2" tongue plus 1" of the sign face (5"x 17-1/2"). Spacers should be glued, taped or screwed to the sign panel.
- For added impact the sign faces can be cut to a shape. This may require mirroring the image, but not the copy.
- Depending on material the Wheellee™ Universal Sign Base can accommodate sign faces up to 28"x 44" 22"x 60".

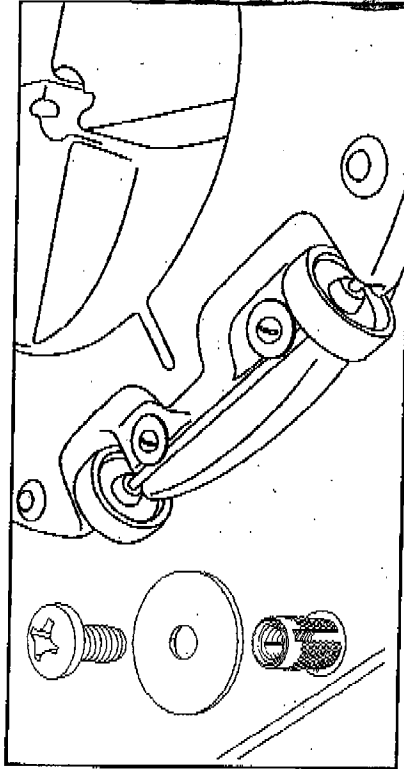
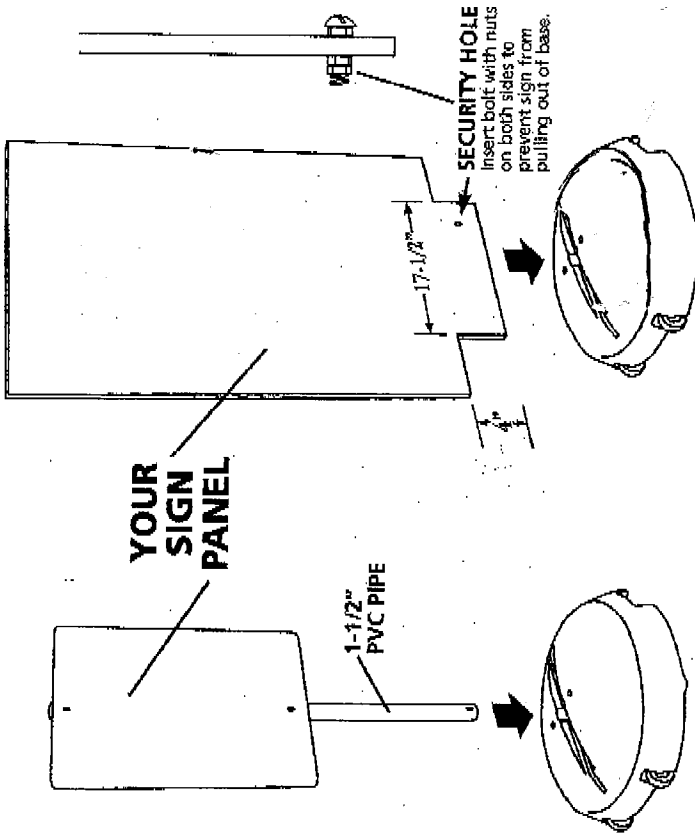
- For security, drill a 1/4" hole 6" from the center of the tongue and 2" up from the bottom, then insert a 1-1/2" long 1/4" bolt with nuts on both sides of the sign face. This will prevent the sign face from being pulled out.

POLE SIGN

- The Hole in the Wheellee™ Universal Sign Base accepts standard 1-1/2" PVC pipe, bought at any home center, hardware store or plumbing supply center, or pipe with a 2" outside diameter. The pipe can be painted for more visual appeal.
- Just push the pipe in from the top of the Wheellee™ Universal Sign Base and twist – the tension will increase as the pipe is inserted. The pipe should touch the ground for maximum strength.
- If adding a sign face just drill 2 holes in the pipe and attach the sign face(s) with screws or bolts.
- The most common size sign is 14"x 22" and the normal height ranges from 48" to 60".

SPRING SIGN

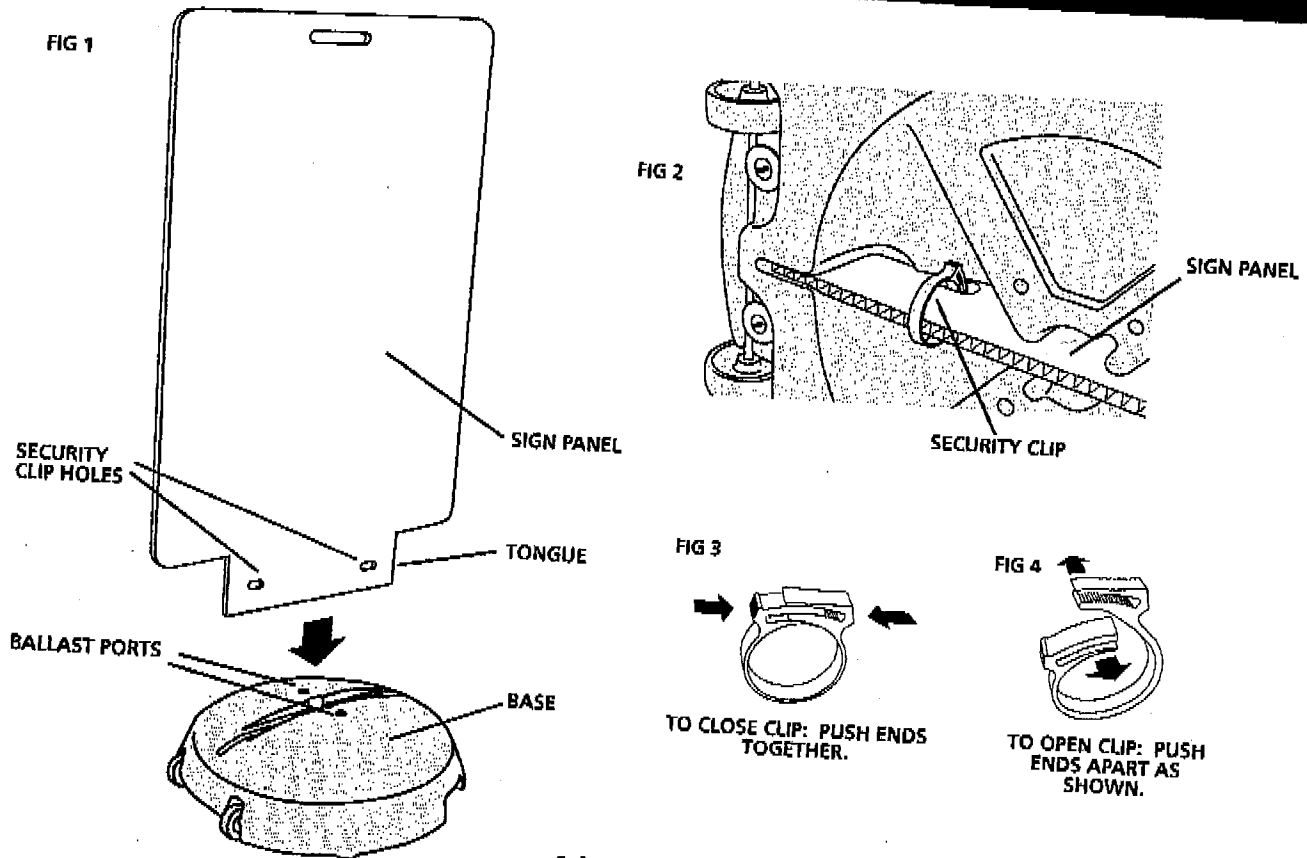
- The Wheellee™ Universal Sign Base has the provision for mounting 2 Spring assemblies (model SPG-ASSY), from the Magic Master® Springer® sidewalk sign, on 16" centers.
- Locate the recesses on the bottom of the Wheellee™ Universal Sign Base, insert a 1/4" x 20 x 3" truss head bolt with the fender washer supplied and screw into the bottom of the spring assembly making sure the sides of the spring assembly fit into the groove on the top and tighten securely.
- Use a 10mm corrugated plastic sign face, flutes long, up to 24" x 36" and slide the rods on the top of the spring assembly into the flutes of the sign face.



HELPFUL HINTS

- Decorate sign or banner before attachment to the Wheellee™.
- Keep design simple for maximum impact.
- To empty ballast (water, sand, etc.) remove Ballast Caps and pour out material. Replace Ballast Caps.
- Sand or small pea gravel works best for ballast and offers the most weight.

Tip 'n Roll™ Rolling Sidewalk Sign USER GUIDE



ASSEMBLY

1. Install the 3 no-mar anti-slip feet by pushing Feet into holes on bottom of Base and pressing drive pin in completely to lock foot into hole.
2. Install the Sign Panel by inserting the cut out portion (tongue) into the slot in the top of the Base.
3. Install the Sign Panel before lettering the Message Board or after decorating the Ready 4 Graphics model.
4. Turn the sign on its side to reveal the bottom and install the 2 Security Clips into the holes in the Sign Panel that are visible from the bottom of the sign. The head of the clip fits in the hole and then ratchets together by squeezing. To remove, just slide the mating parts sideways as illustrated. See FIG. 3 & 4.
5. Remove the Ballast Port Plugs and fill the Base with sand, gravel or water. If using water do not exceed 3 gallons. Unit can withstand freezing but salt or RV antifreeze can be added to prevent freezing.
6. The sign is now ready for use. To move sign just grip the handhold, tip the sign and roll into position by pulling.

HELPFUL HINTS

- Sign rolls best by pulling, not pushing.
- Letter the Message Board models after the sign face has been installed by bending the letter sheets at the score lines to break apart the letters.
- Decorate the Ready 4 Graphics model before installation. Sign panel can be decorated with digital graphics, computer cut vinyl graphic or screen-printing.
- Keep design/layout simple for maximum impact. For more versatility put a different message on each side.
- To empty ballast (water, sand, etc.) remove Ballast Caps and pour out material. Replace Ballast Cap.
- Tip'n Roll™ signs are designed for winds up to 20-30 mph. In the event of higher winds bring sign inside or add more ballast.