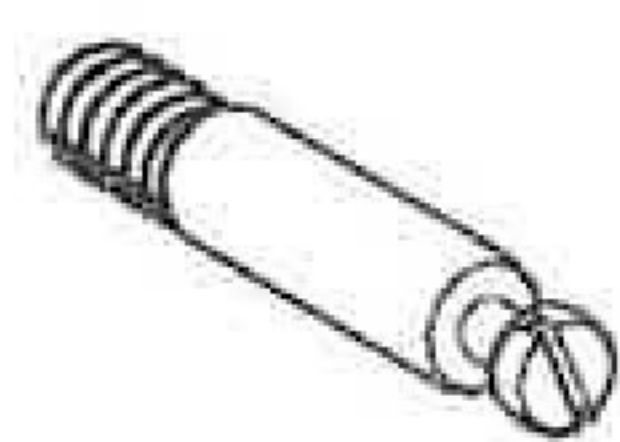
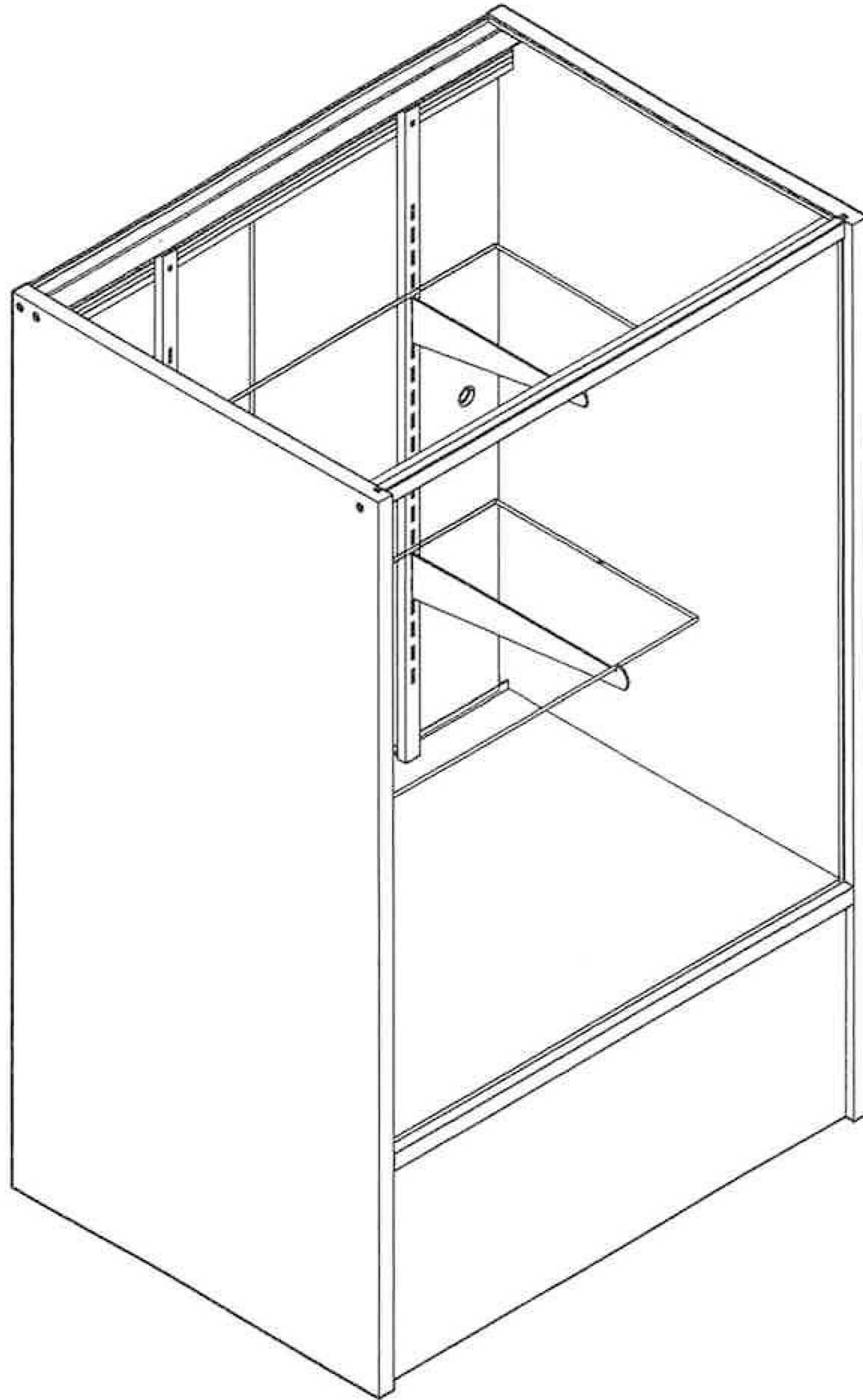


ASSEMBLY INSTRUCTIONS

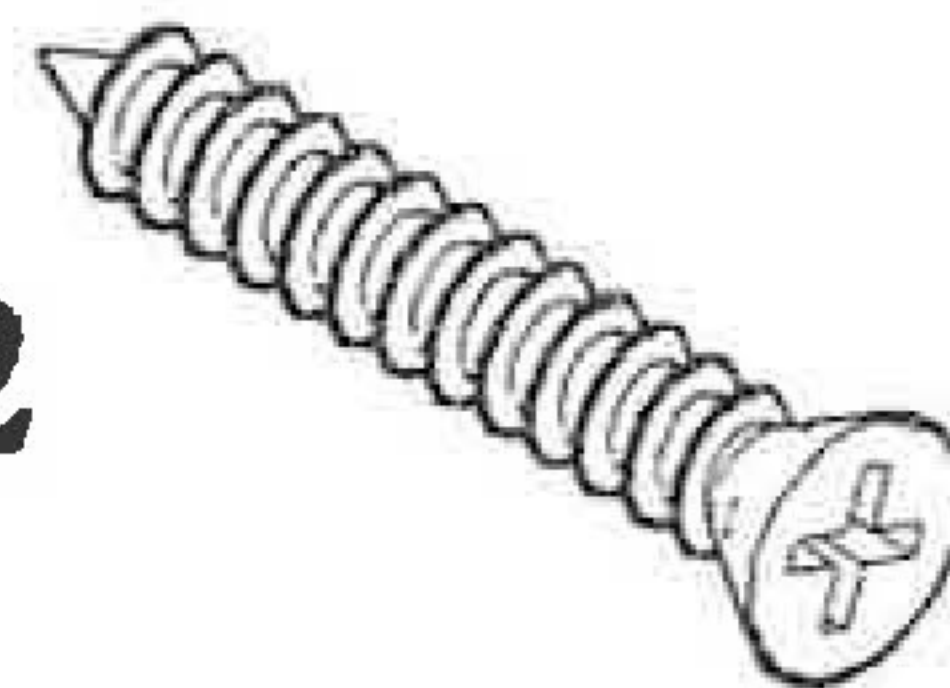
SC2



x12



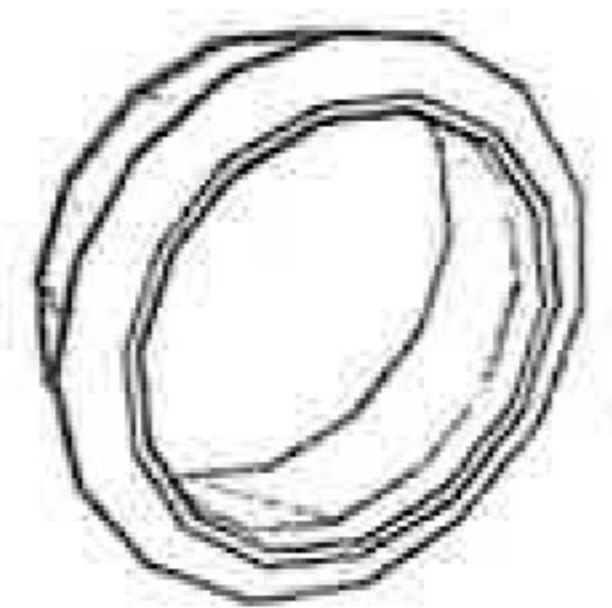
x12



x6

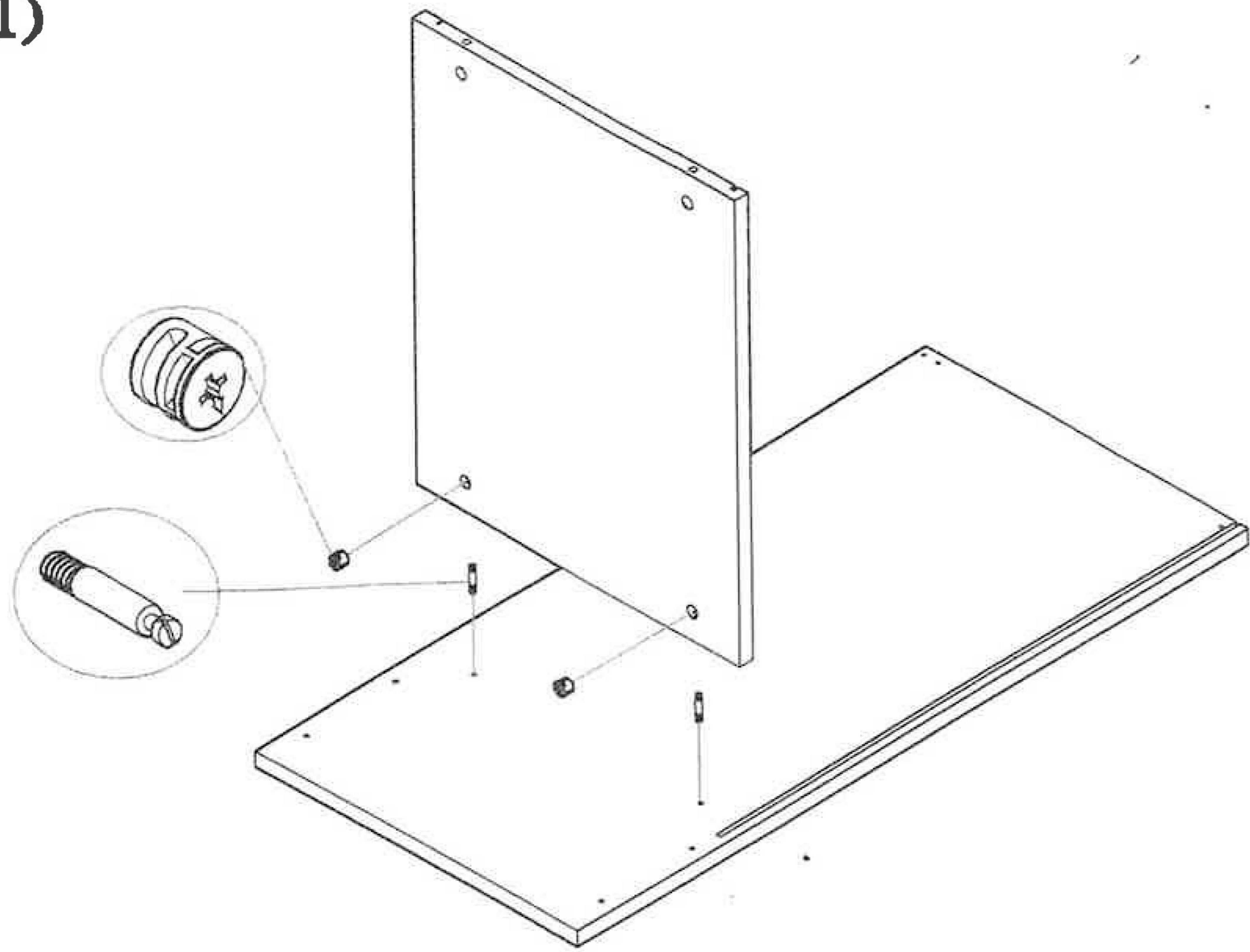


x4

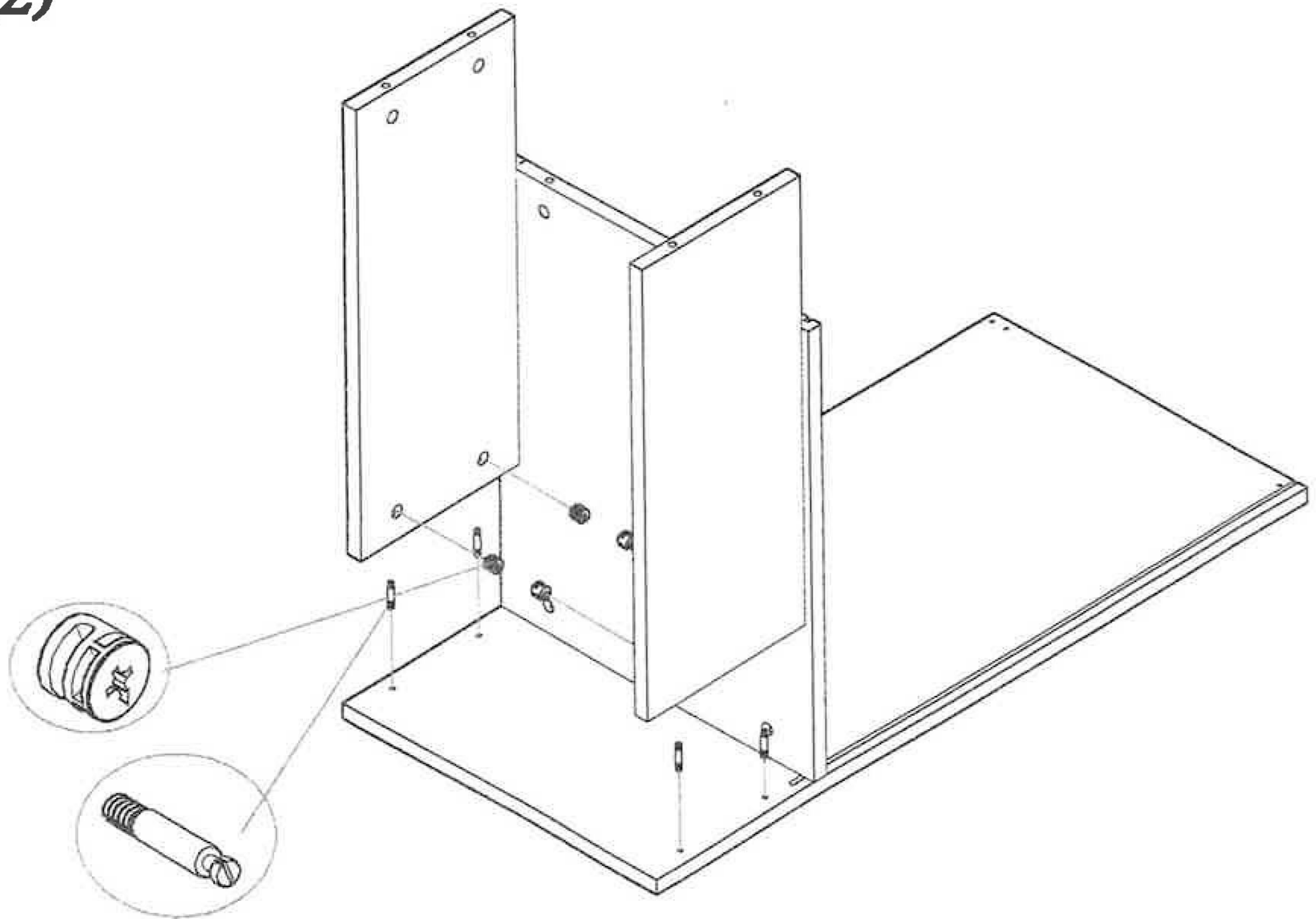


x2

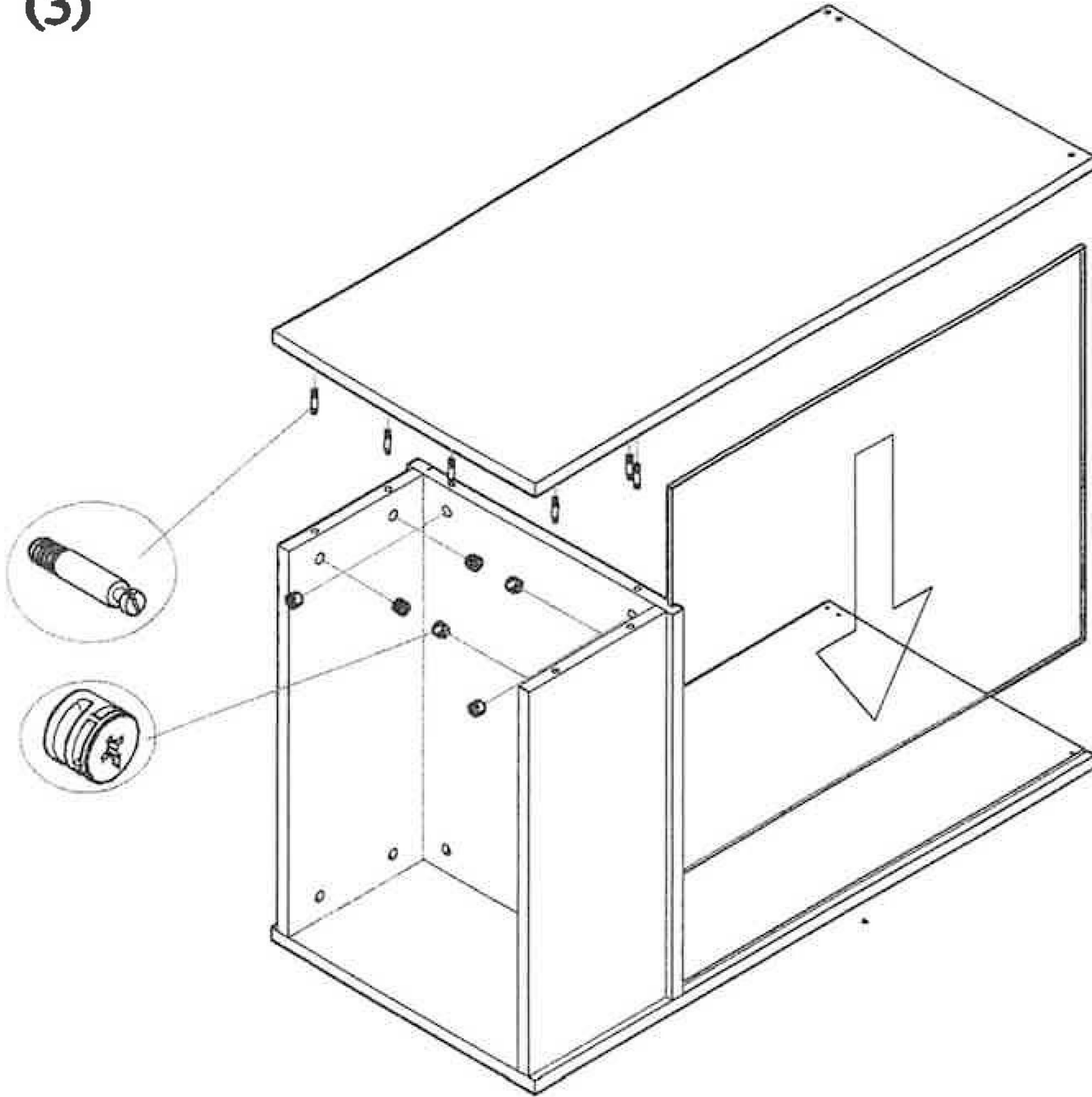
(1)



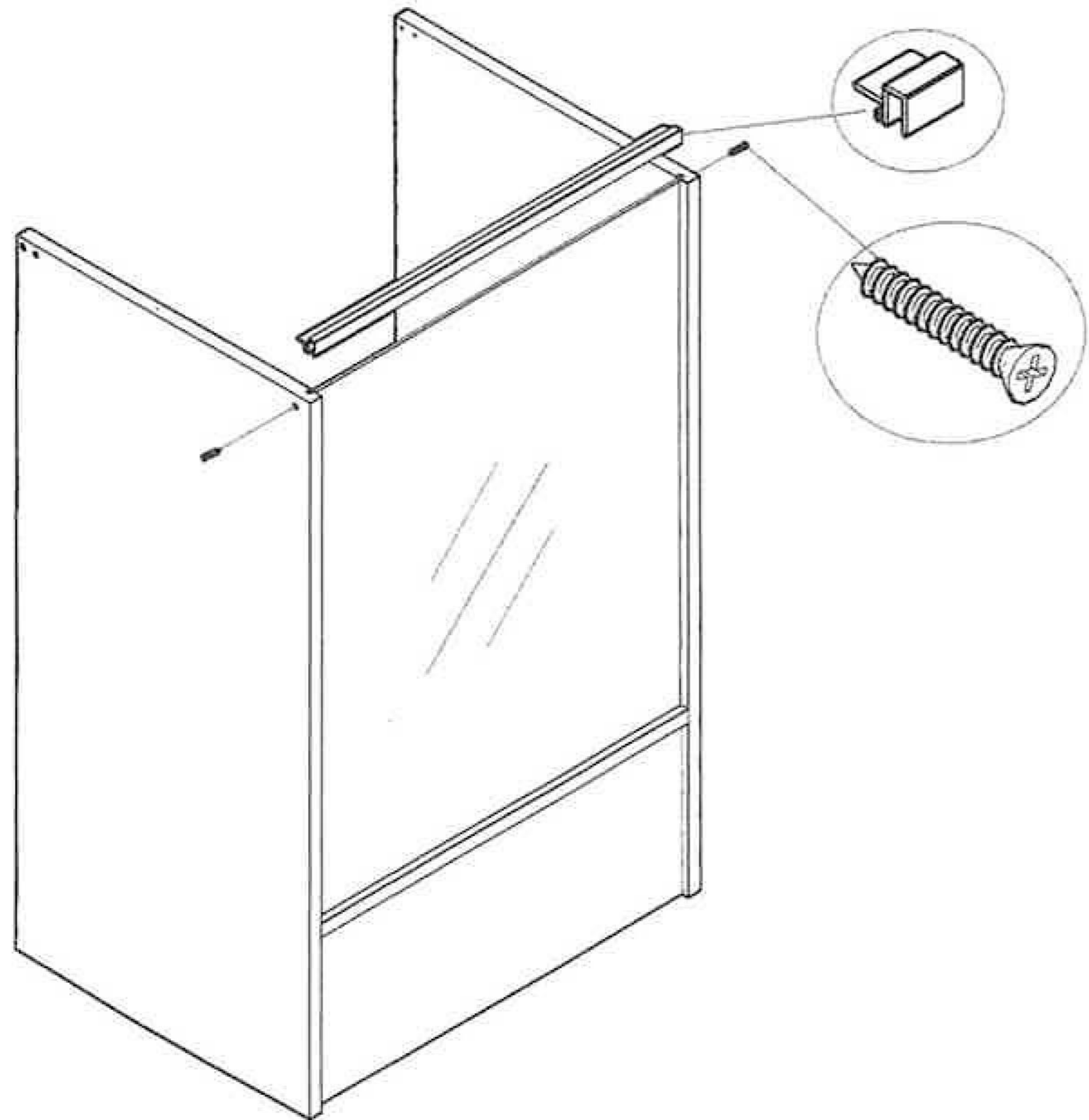
(2)



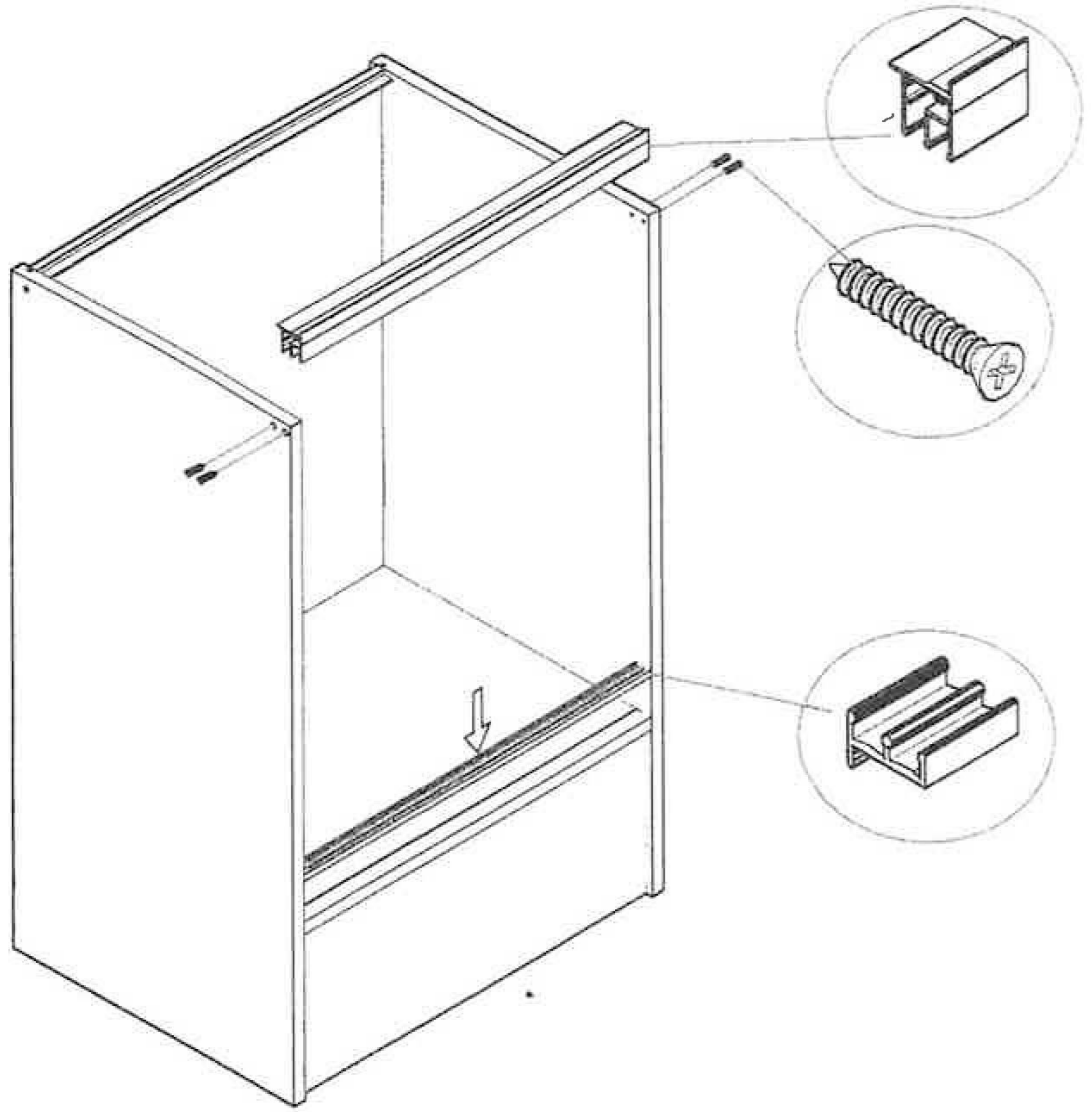
(3)



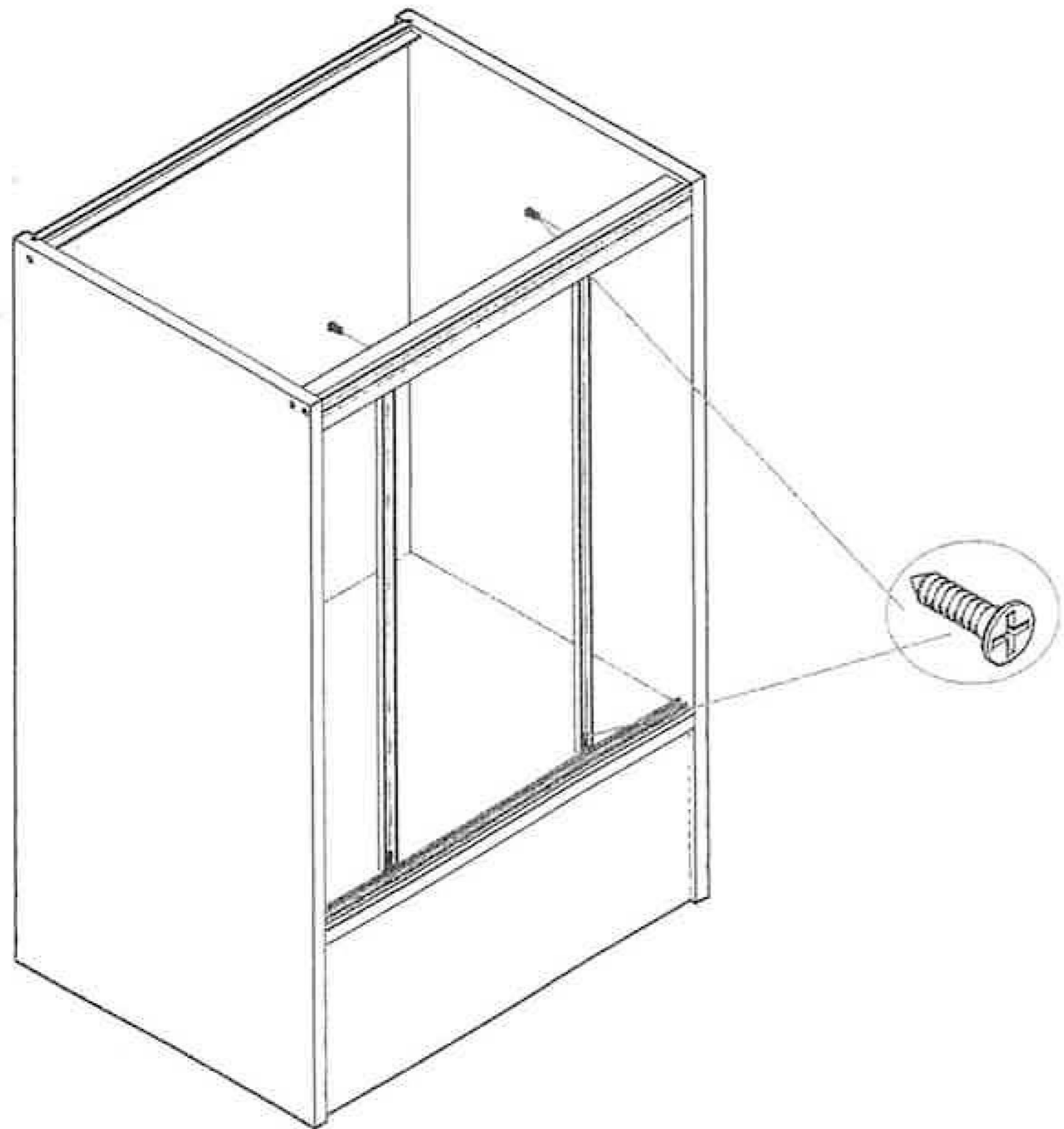
(4)



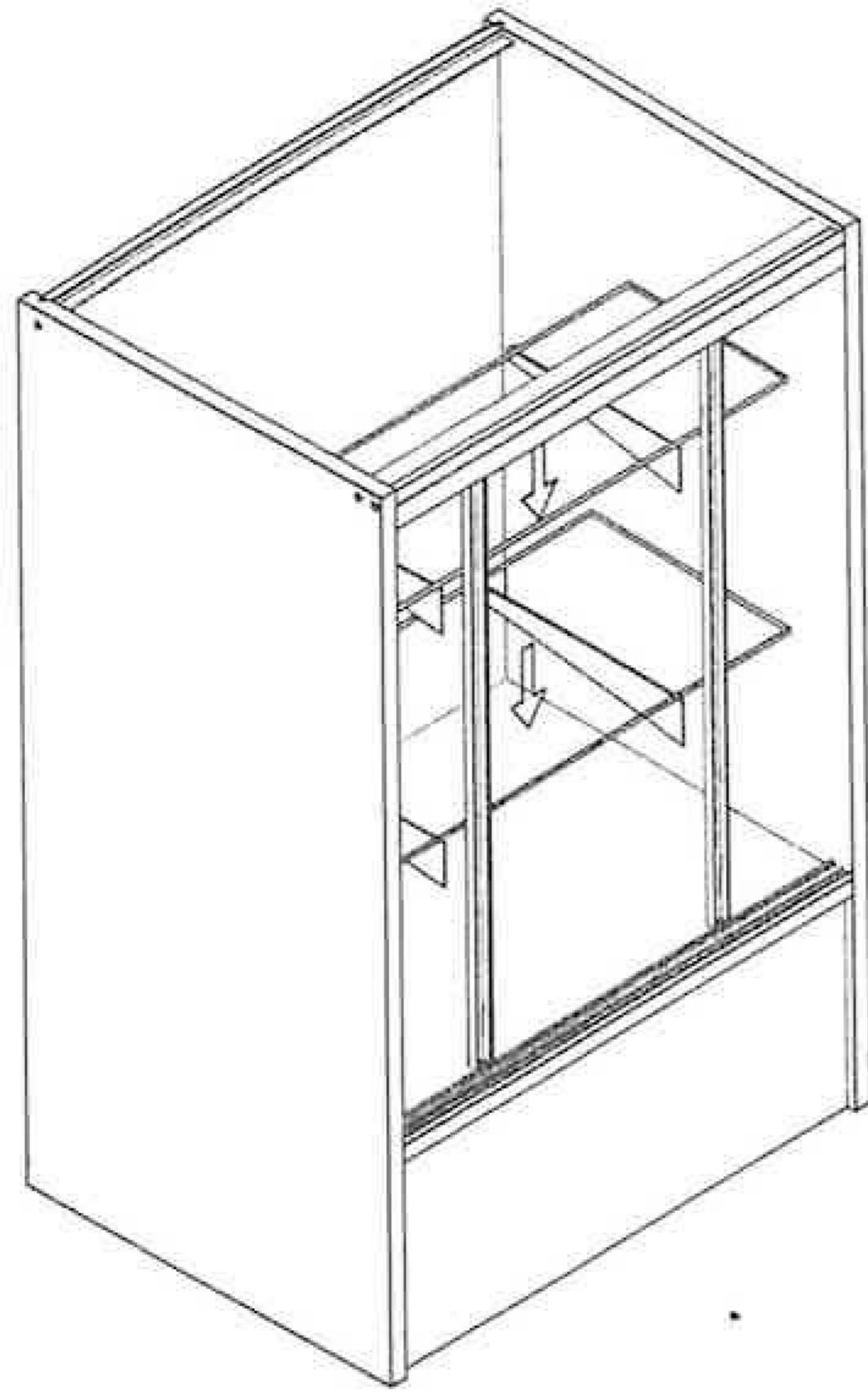
(5)



(6)



(7)



(8)

