



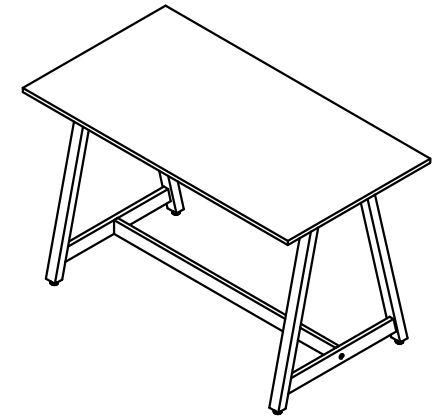
SPECIALTY STORE SERVICES





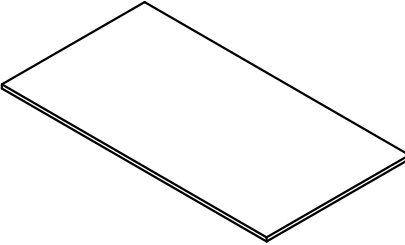

454 Jarvis Ave. Des Plaines, IL 60018
PH: (800) 999-0771 | FX: (888) 368-8001
www.specialtystoreservices.com

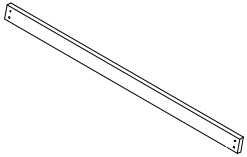
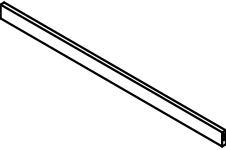
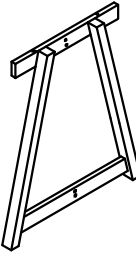
3666 Instructions

Assembled Steps:

1. Installed part A, B & C together, inserted F for location and then tighten screws G.
2. Installed part H levelors to part A bottom.
3. Installed part D on both sides of part C top center cross bar and tighten screws I.
4. Put E on the top of the assembled leg frame, inserted F for location and then tighten screws I.



I (1PCS) 	H (4PCS) 	G (4PCS) 	F (8PCS) 	E (1PCS) 
J (15PCS) 				

D (2PCS) 	B (1PCS) Shorter 	A (2PCS) 
C (1PCS) Longer 