







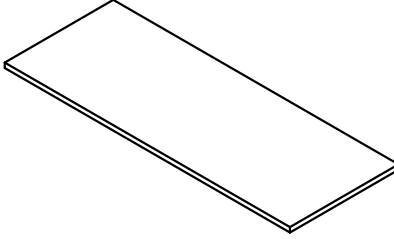
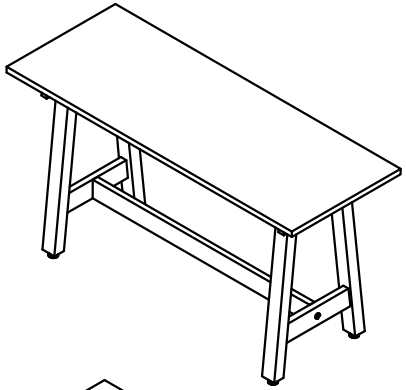

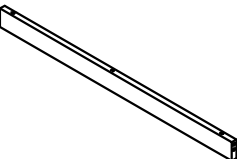
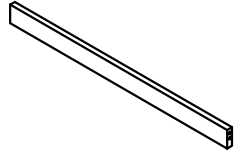
SPECIALTY STORE SERVICES

454 Jarvis Ave. Des Plaines, IL 60018
PH: (800) 999-0771 | FX: (888) 368-8001
www.specialtystoreservices.com

3665 Instructions

Assembly Steps:

1. Attached part B & C to part A with part E for location, then tighten screws F;
2. Installed part G to the bottom of part A;
3. Put part D table top on the top of the assembling legs with part E for location and then tighten screws I.

H (1PCS) 	G (4PCS) 	F (4PCS) 	E (8PCS) 	D (1PCS) 	
I (7PCS) 					
C (1PCS) Longer 	B (1PCS) Shorter 	A (2PCS) 