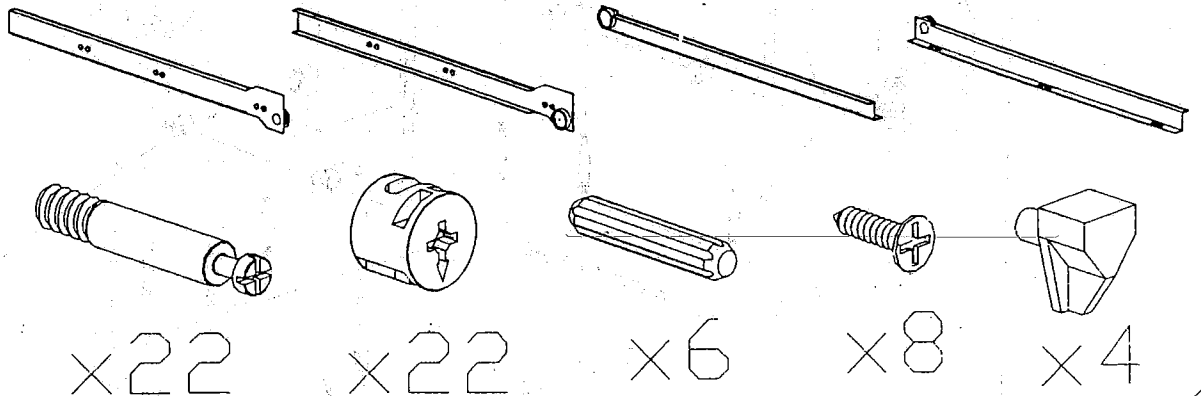
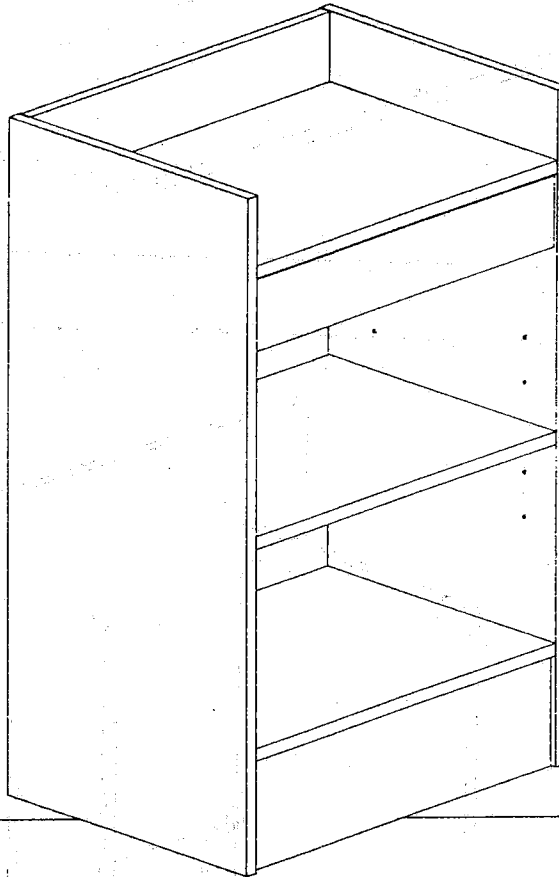


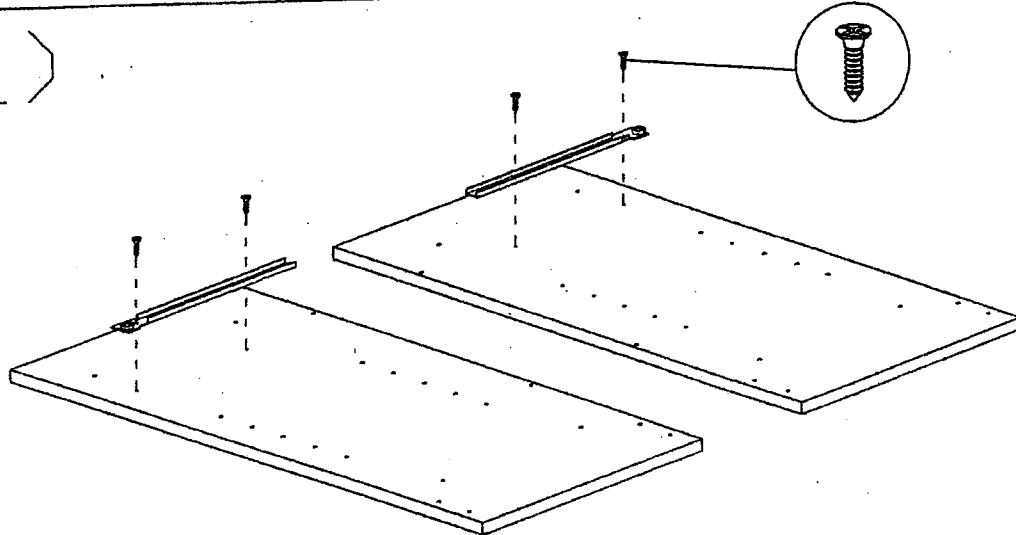
3443

ASSEMBLY INSTRUCTION

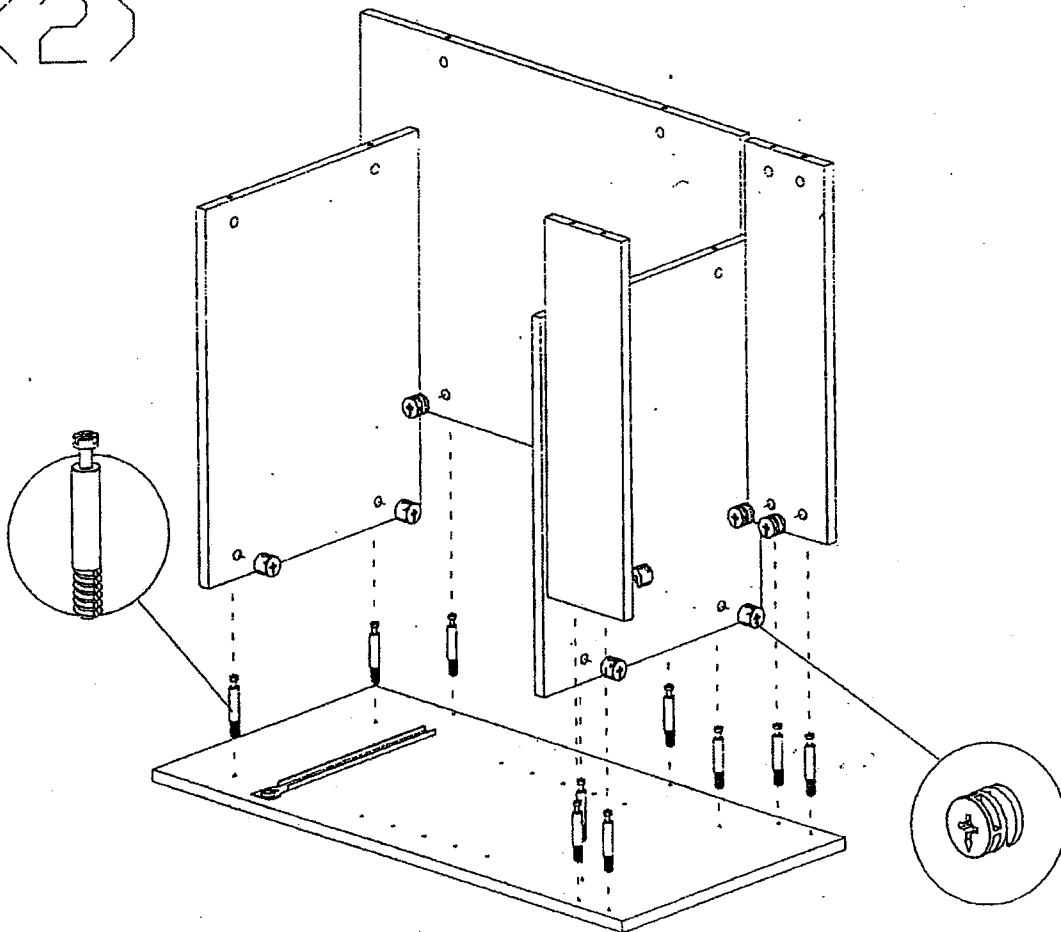
CASH REGISTER STAND



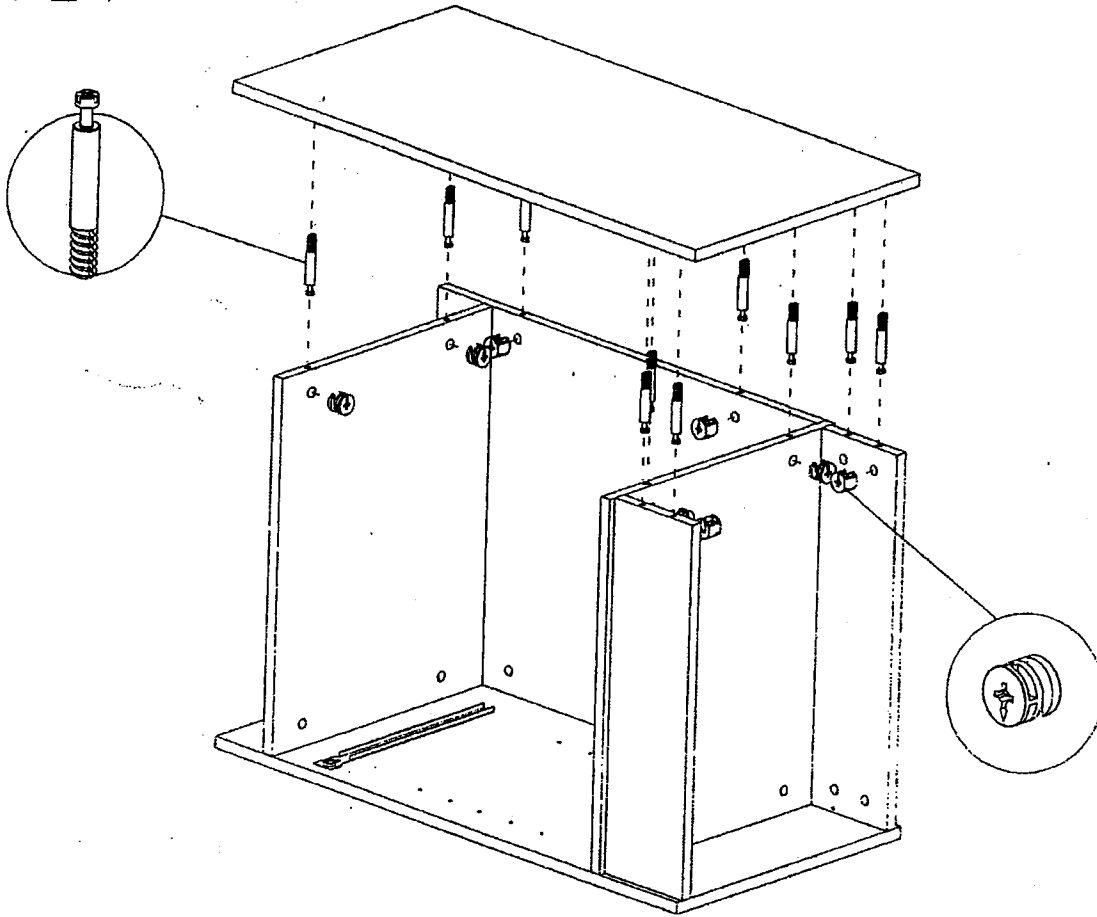
(1)



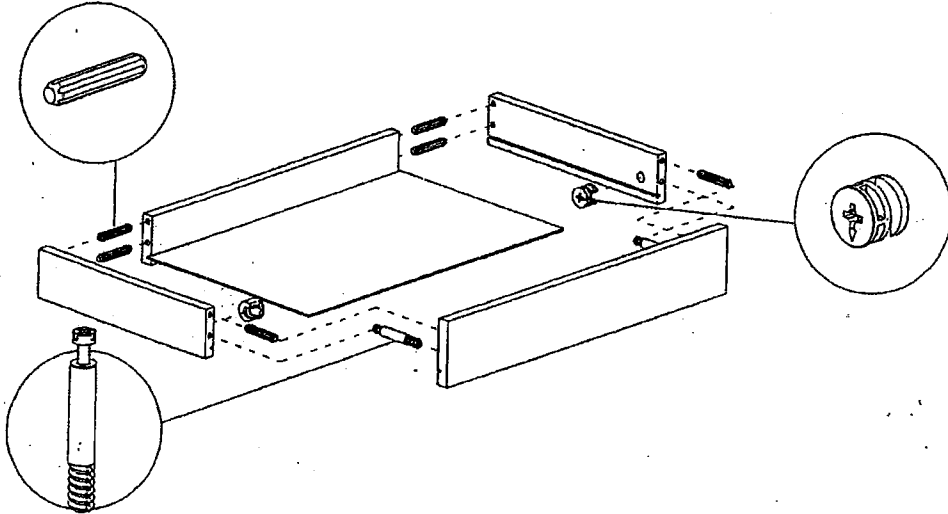
(2)



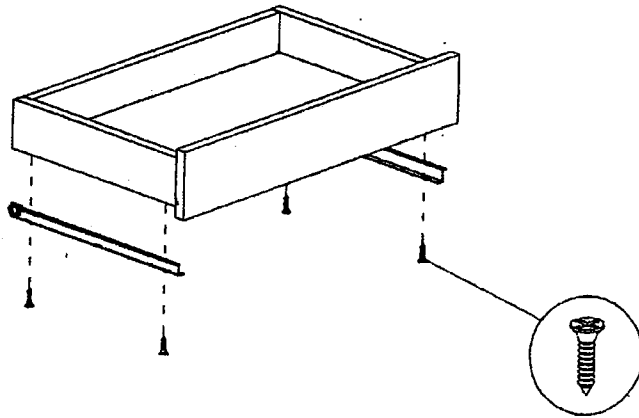
(3)



(4)



(5)



(6)

