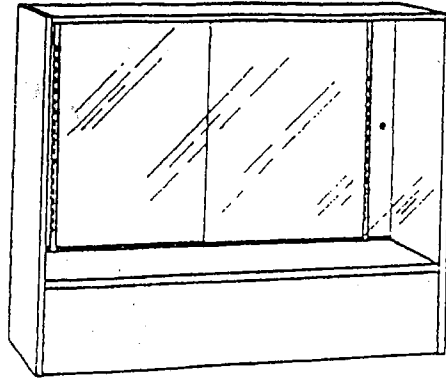
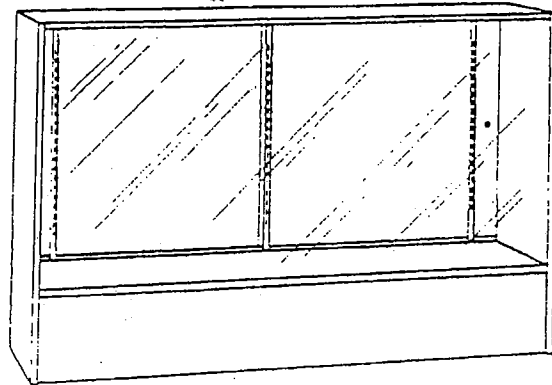


3440 - 3441 - 3442

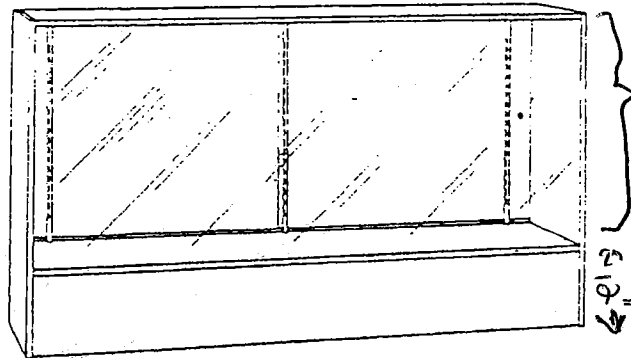
4-FOOT SHOWCASE



5-FOOT SHOWCASE



6-FOOT SHOWCASE



NOTE: It is recommended that two persons assemble this unit.

# ASSEMBLY INSTRUCTIONS

# PARTS LIST

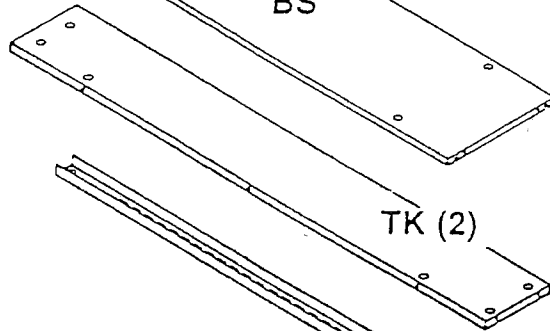
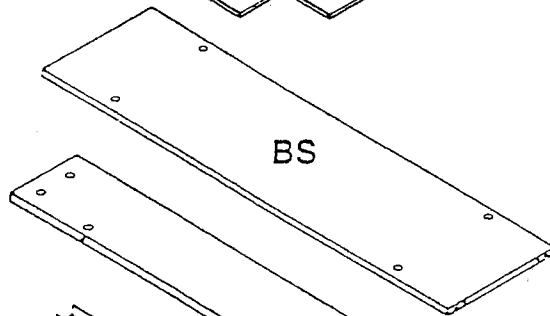
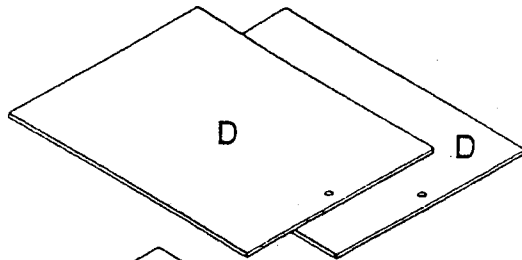
PARTS & QUANTITIES SHOWN ARE FOR ONE COMPLETE SHOWCASE UNIT. GLASS PANELS, FELT STRIP AND PLASTIC GASKET NOT FURNISHED WITH THIS KIT.



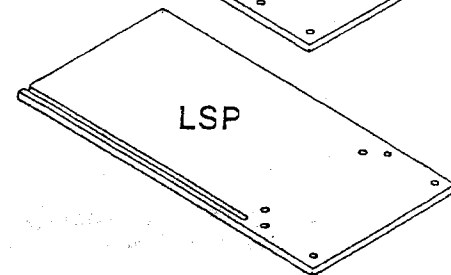
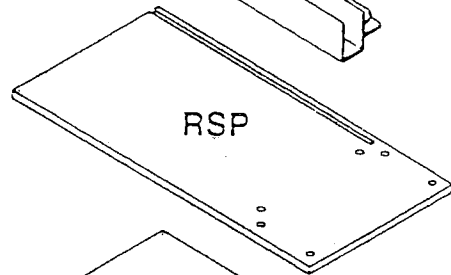
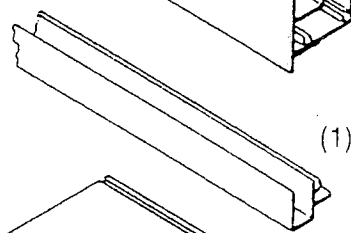
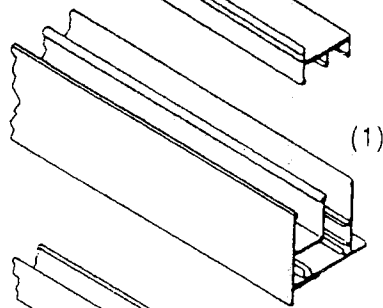
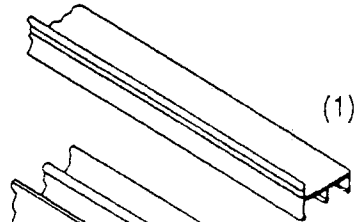
(16)



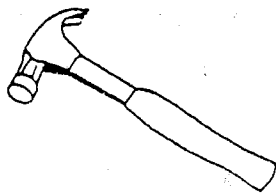
(16)



(2) For 4-ft. Showcase unit  
(3) For 5-ft. & 6-ft. Showcase unit

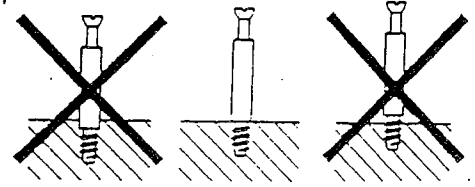
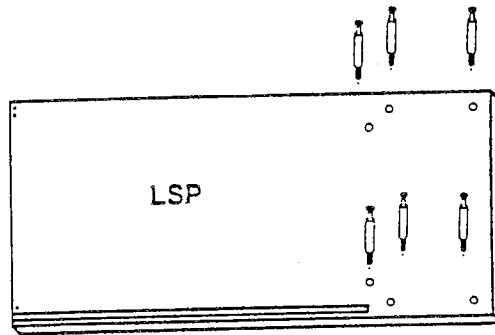
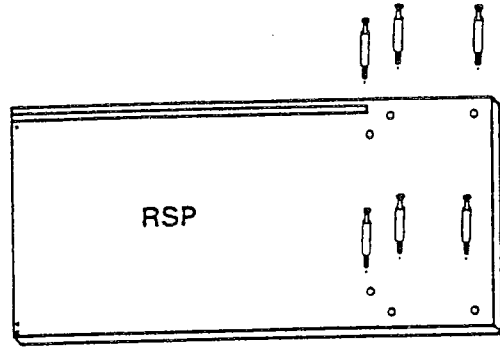


# TOOLS REQUIRED

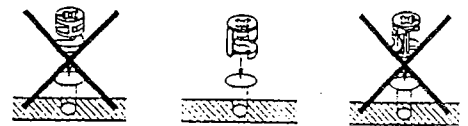
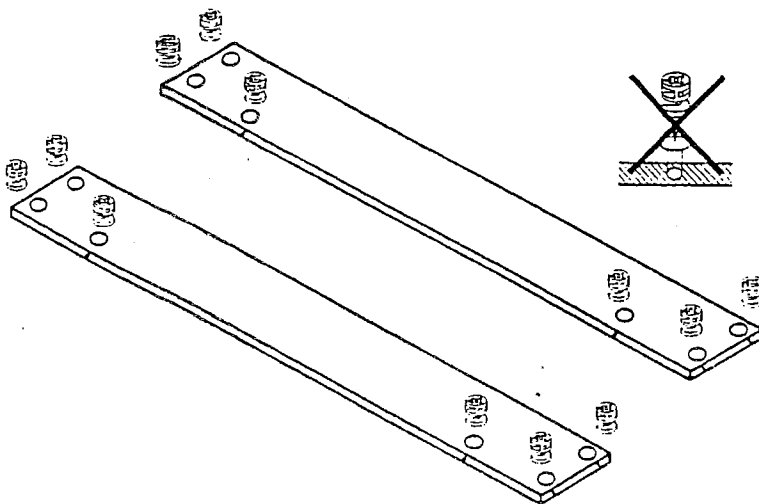


1/16" Drill bit

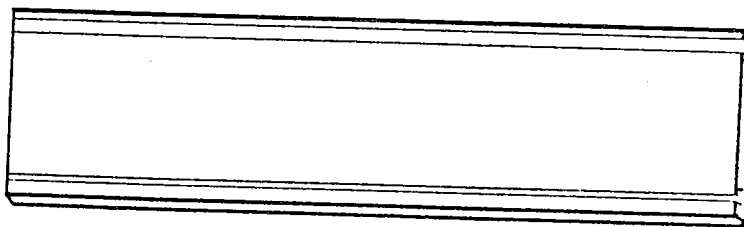
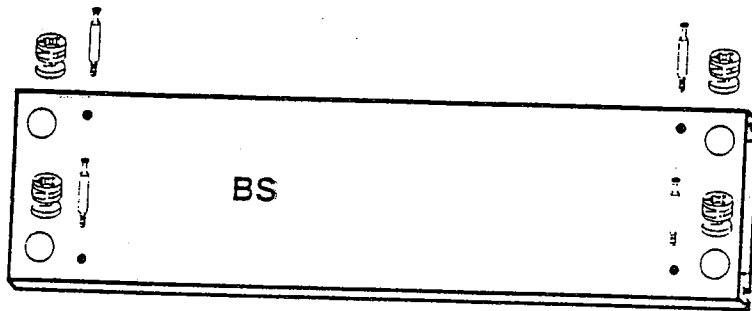
1



2



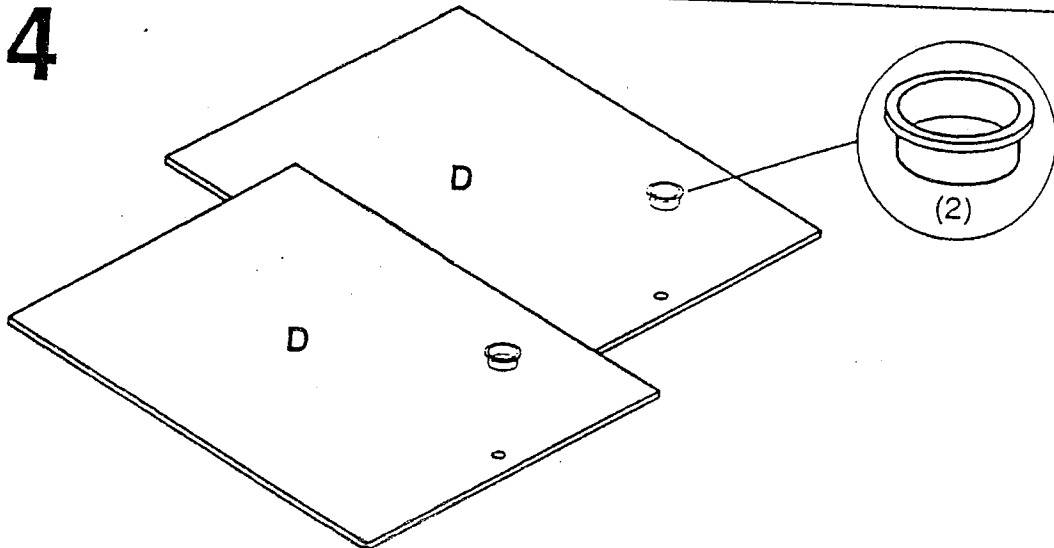
3



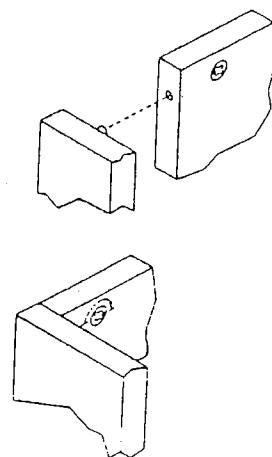
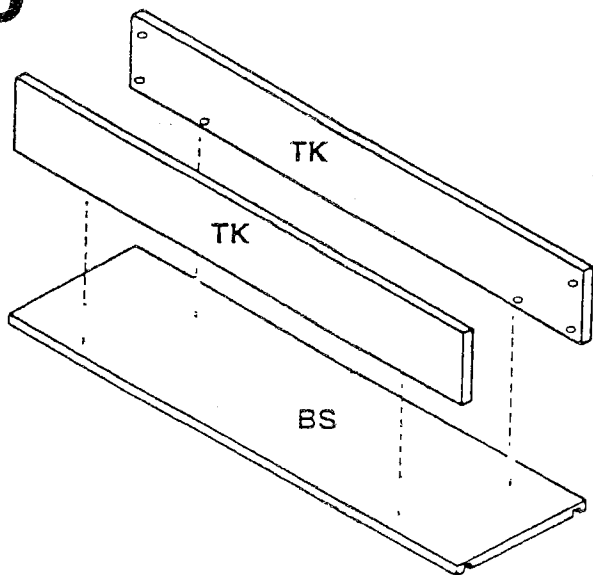
6mm groove

2mm groove

4

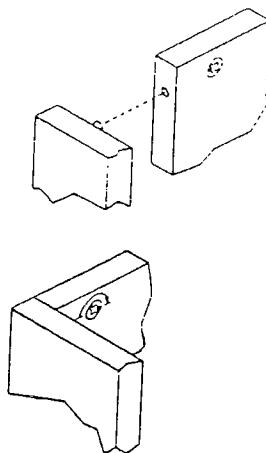
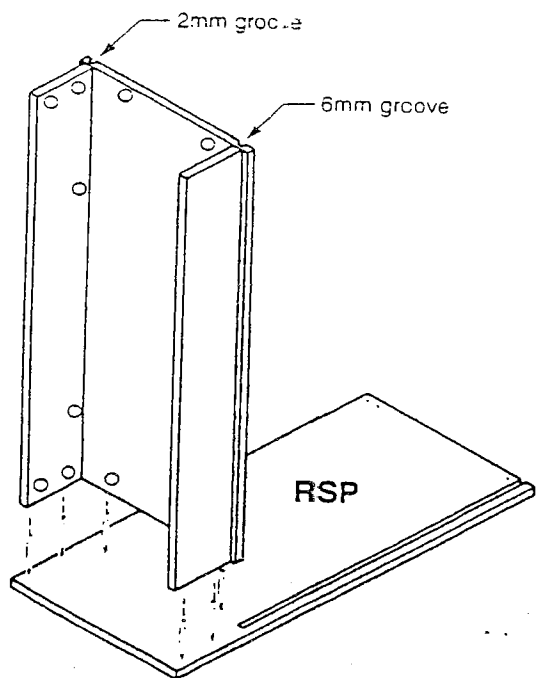


**5**



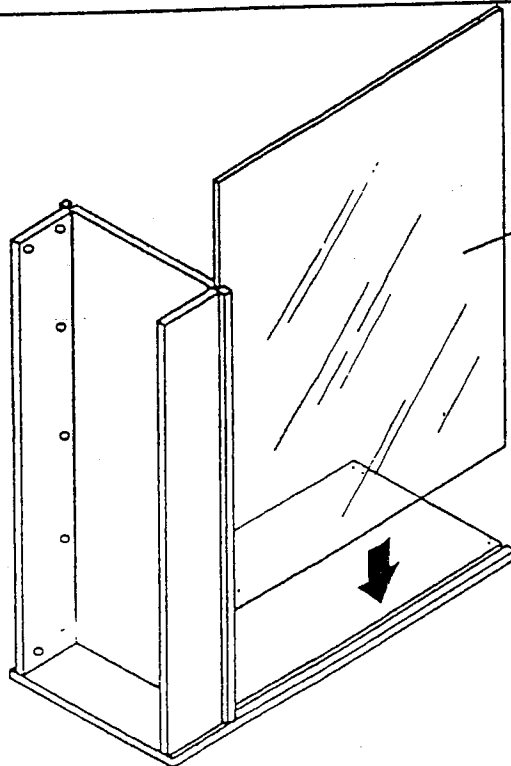
Fasten panels together and make sure all cams are locked.

**6**



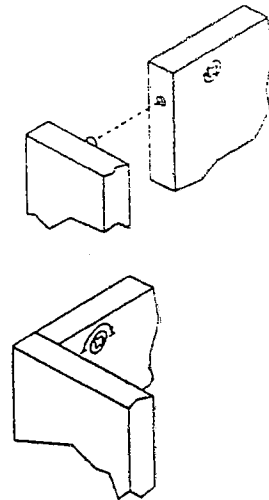
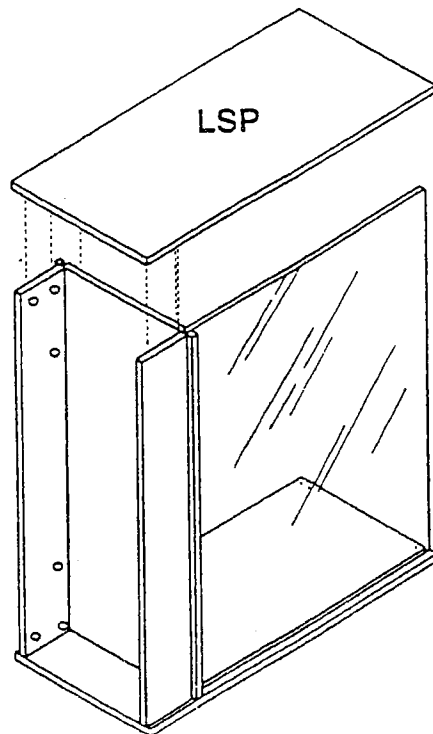
Fasten panels together and make sure all cams are locked.

**7**



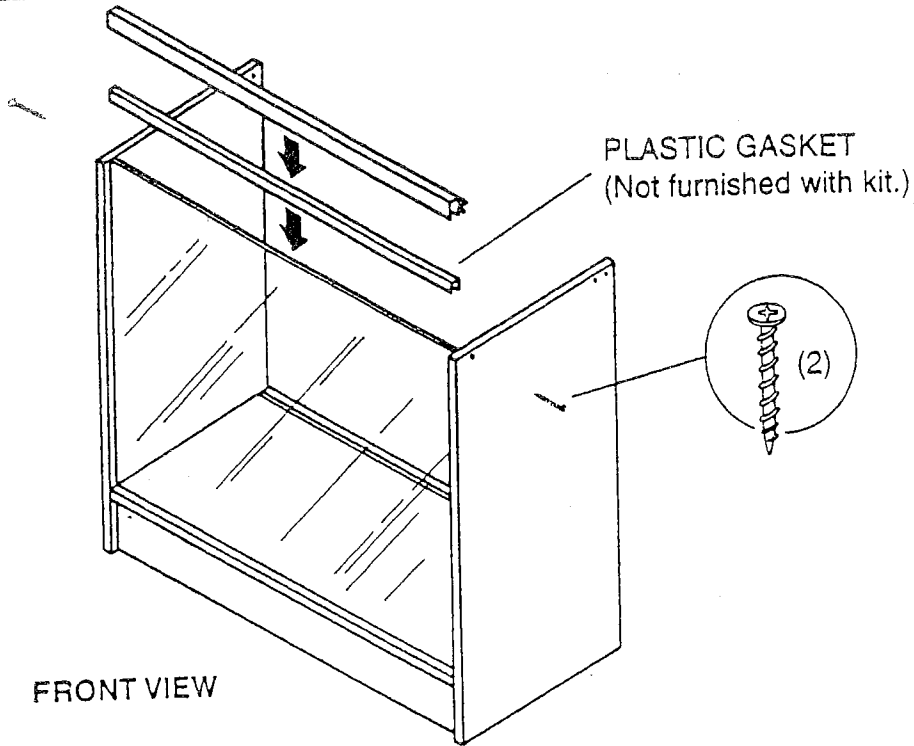
FRONT GLASS PANEL  
(Not furnished with kit.)

**8**

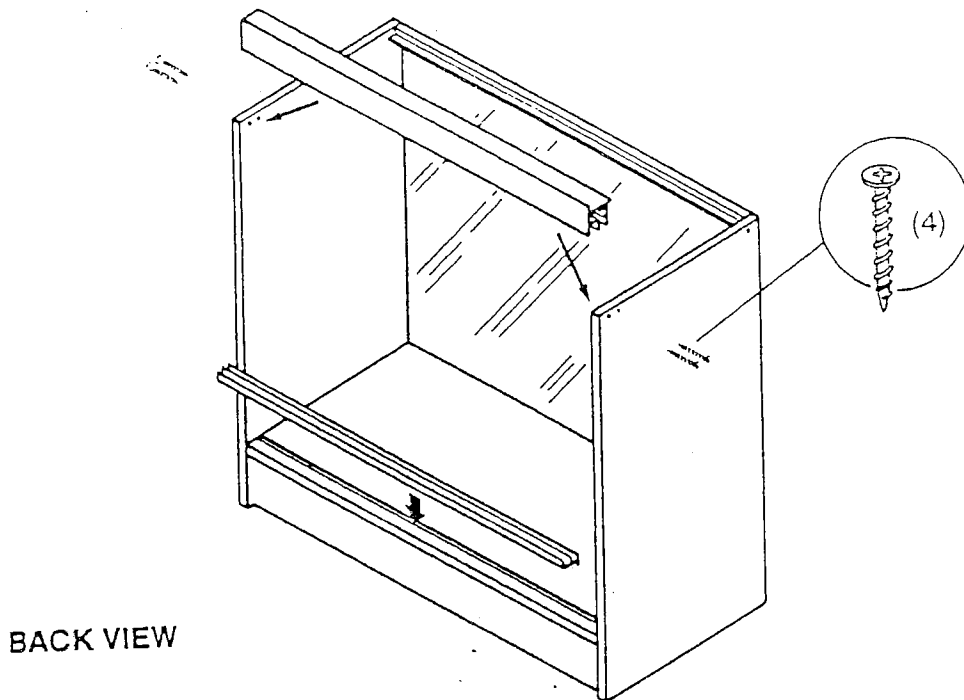


Fasten panels together and  
make sure all cams are locked.

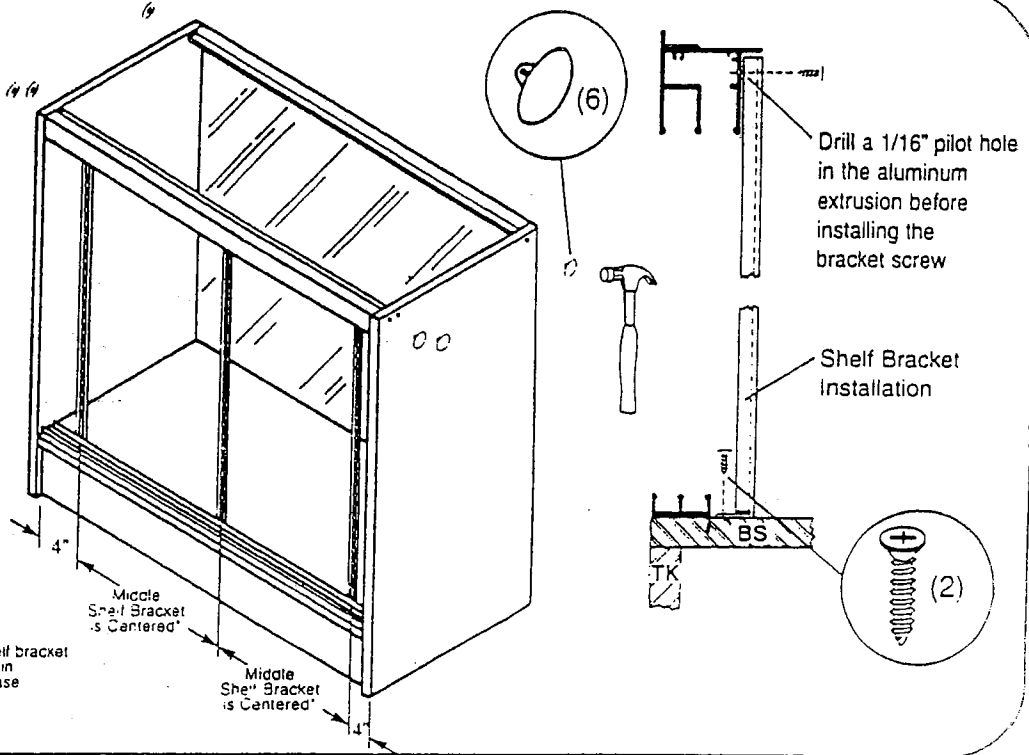
9



10



# 11



# 12

