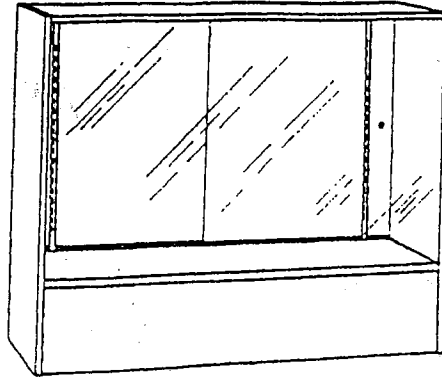
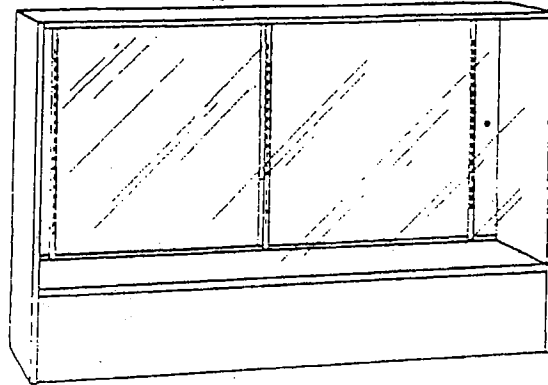


3440 - 3441 - 3442

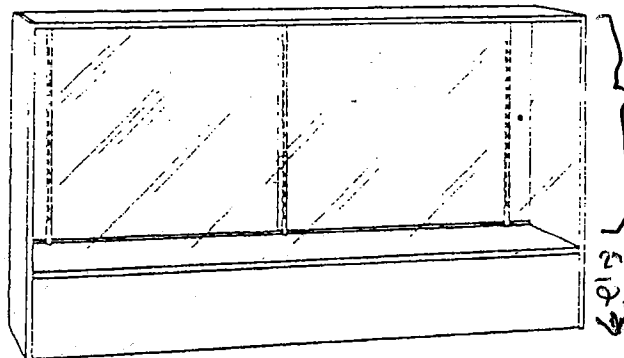
4-FOOT SHOWCASE



5-FOOT SHOWCASE



6-FOOT SHOWCASE

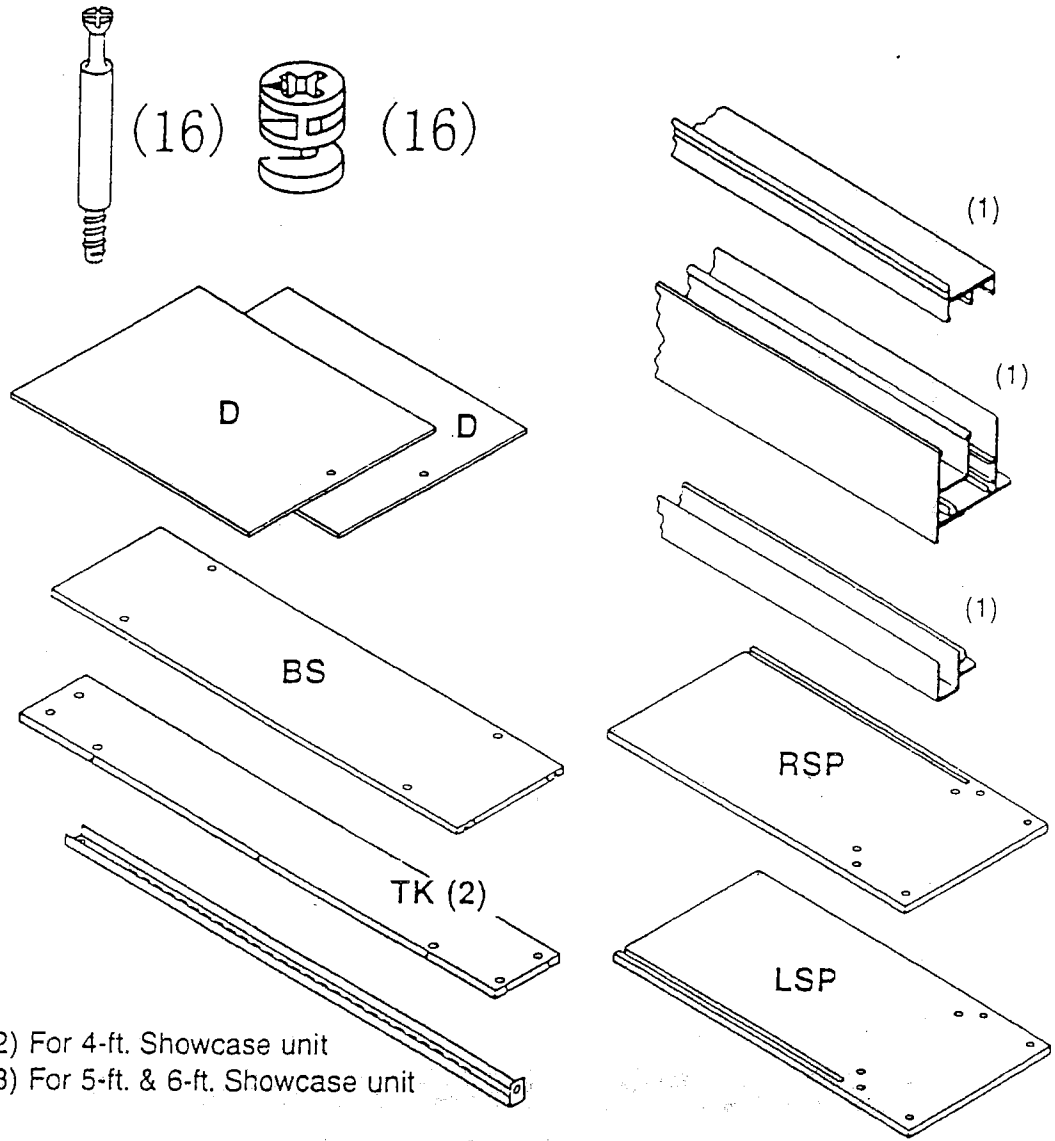


NOTE: It is recommended that two persons assemble this unit.

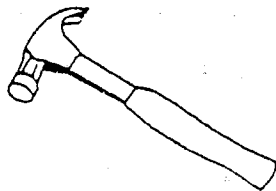
ASSEMBLY INSTRUCTIONS

PARTS LIST

PARTS & QUANTITIES SHOWN ARE FOR ONE COMPLETE SHOWCASE UNIT. GLASS PANELS, FELT STRIP AND PLASTIC GASKET NOT FURNISHED WITH THIS KIT.

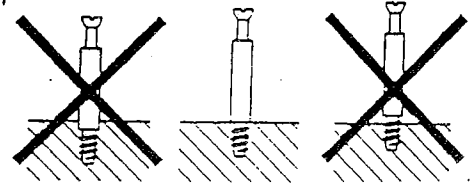
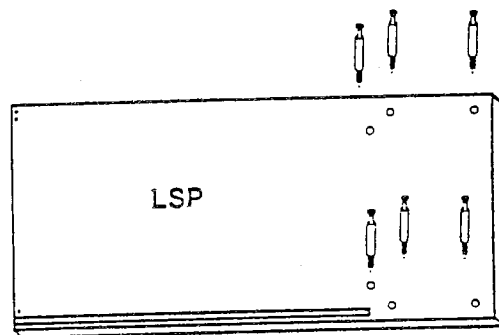
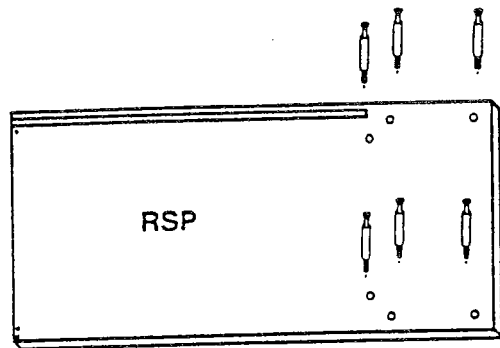


TOOLS REQUIRED

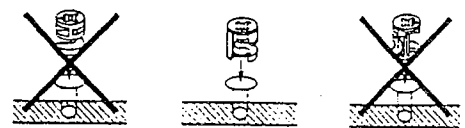
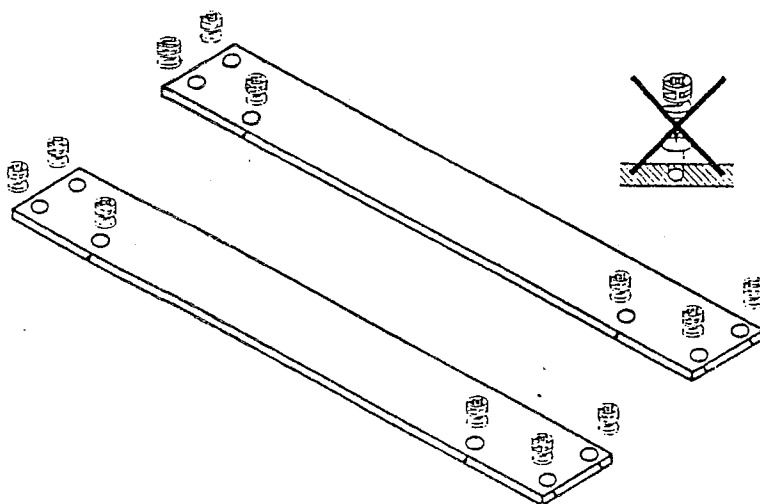


1/16" Drill bit

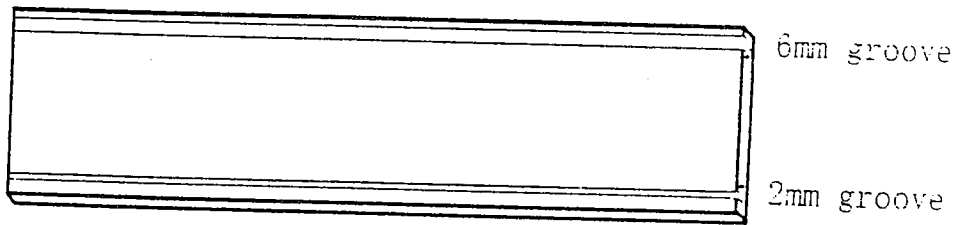
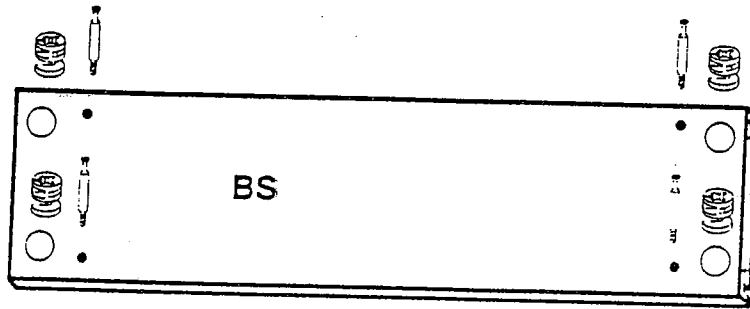
1



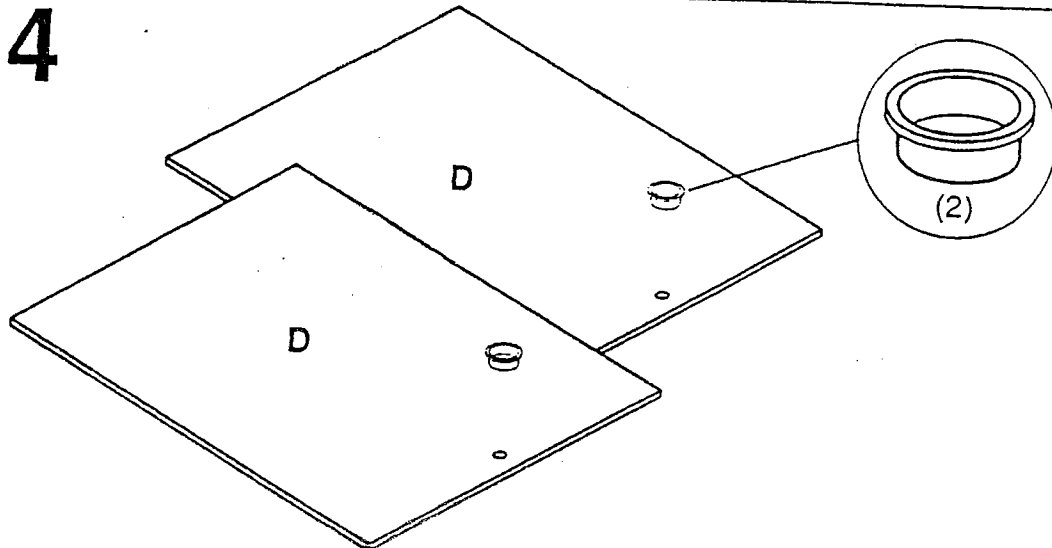
2



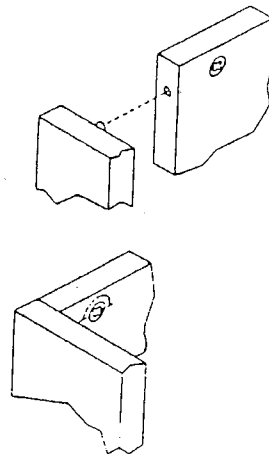
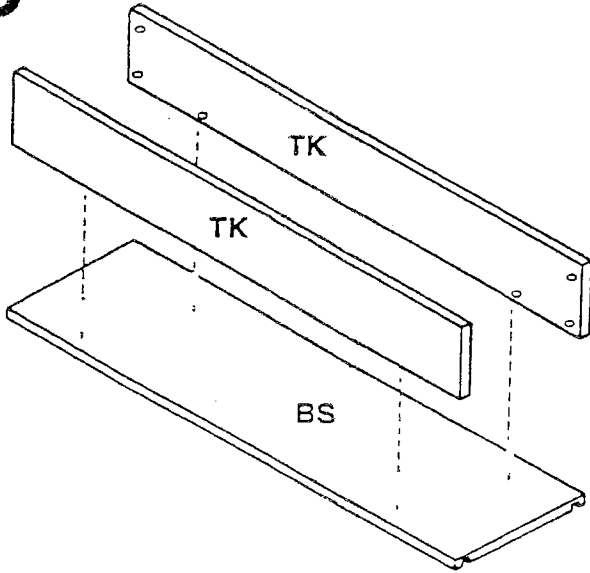
3



4

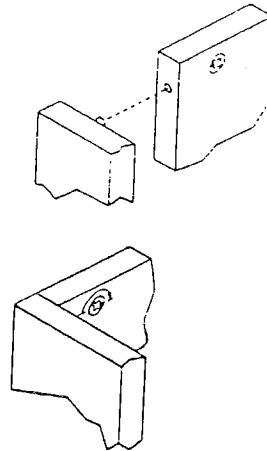
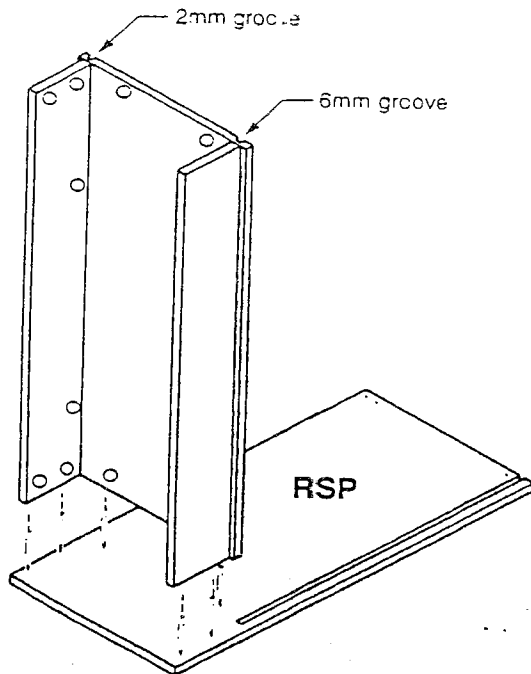


5



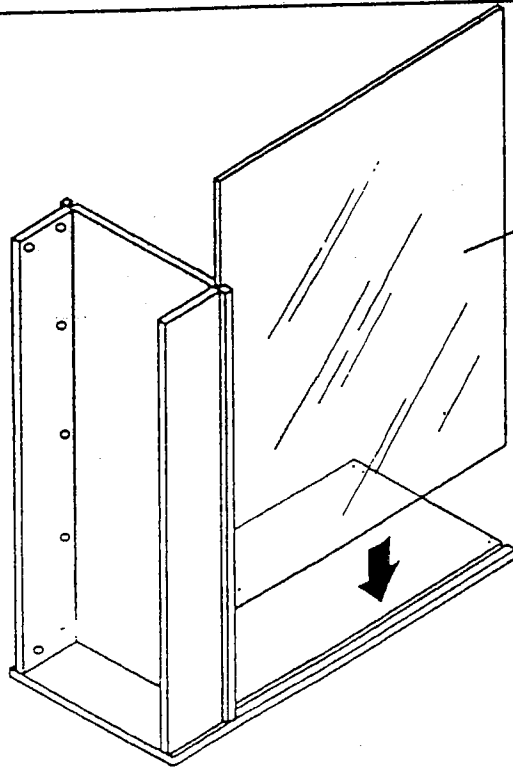
Fasten panels together and make sure all cams are locked.

6



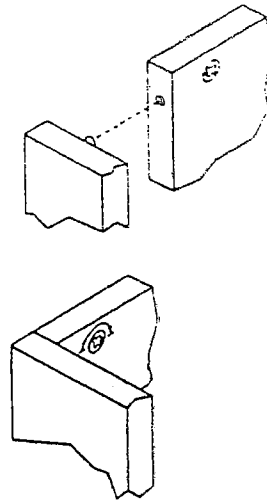
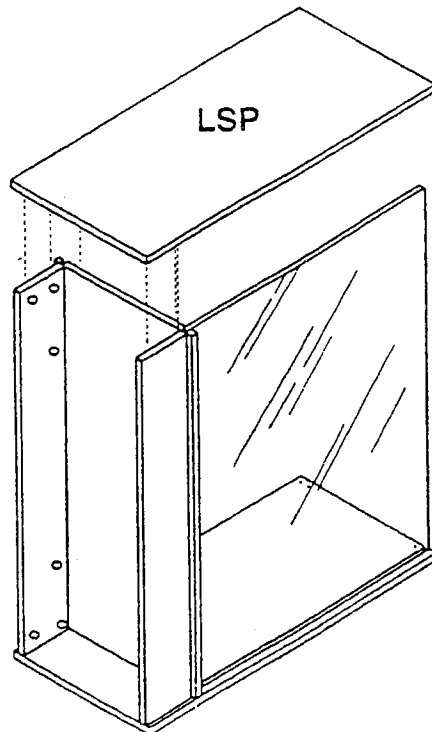
Fasten panels together and make sure all cams are locked.

7



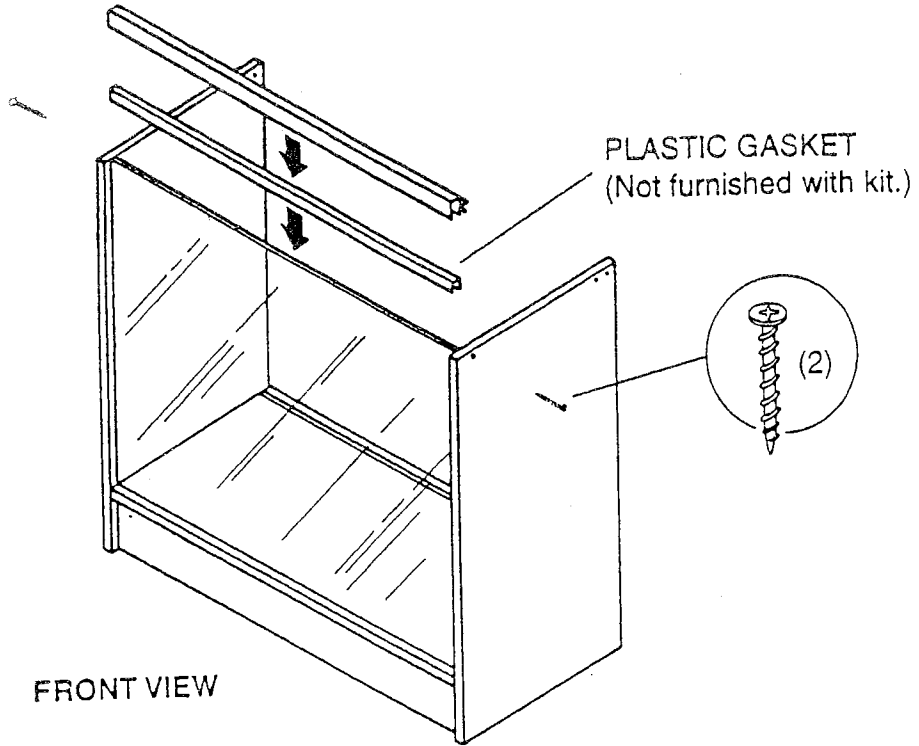
FRONT GLASS PANEL
(Not furnished with kit.)

8

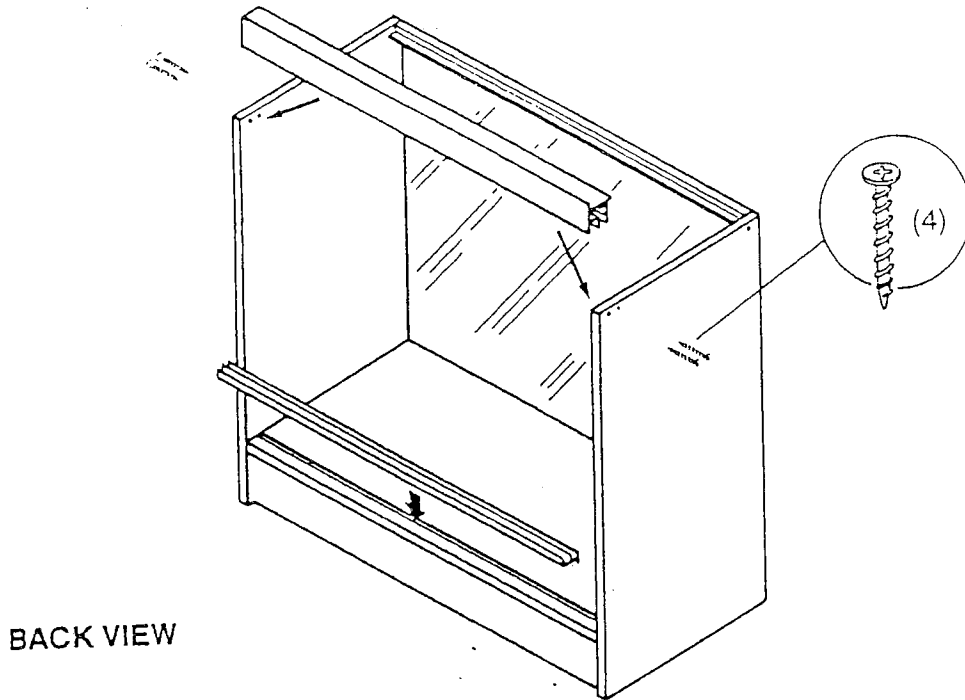


Fasten panels together and
make sure all cams are locked.

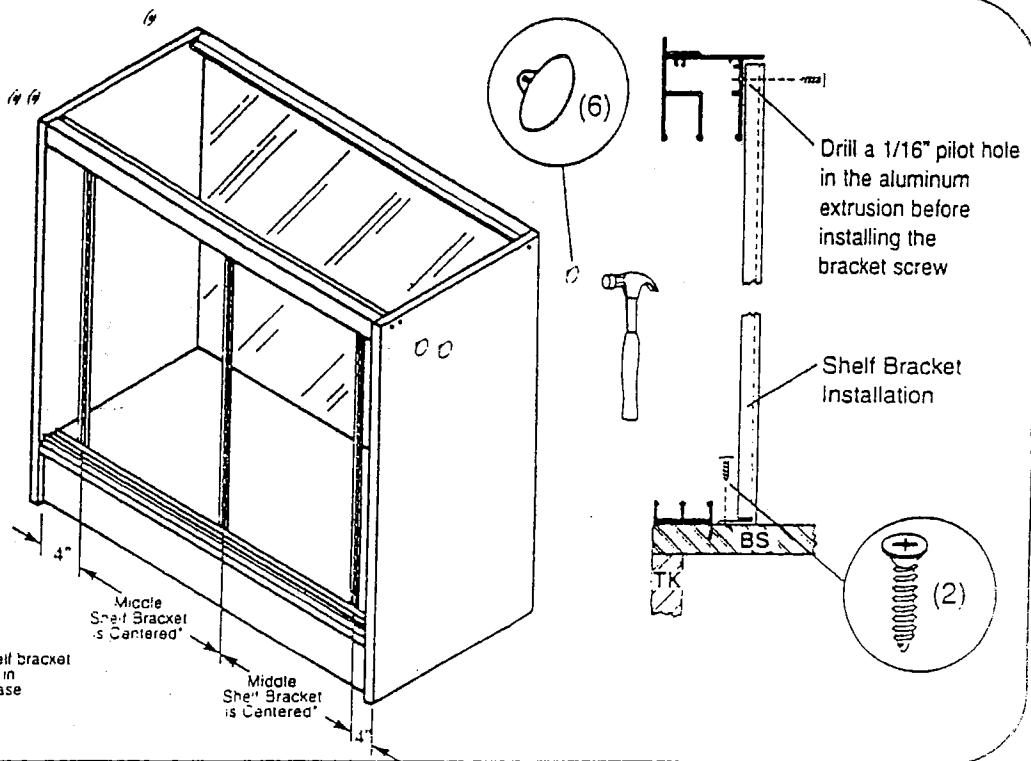
9



10



11



12

