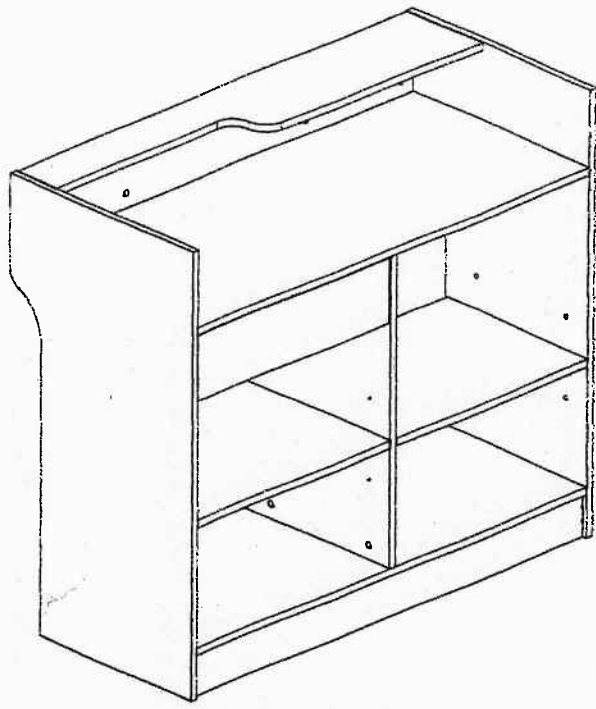











11/30/09

3438 / 3439

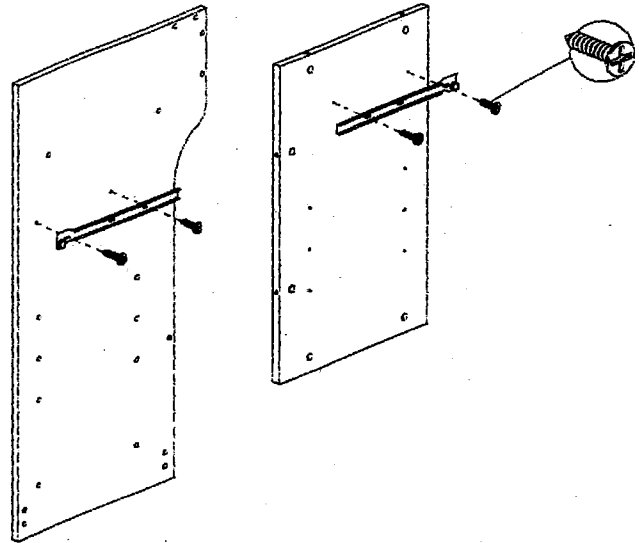
ASSEMBLY INSTRUCTION

4' LEDGETOP COUNTER
6' LEDGETOP COUNTER

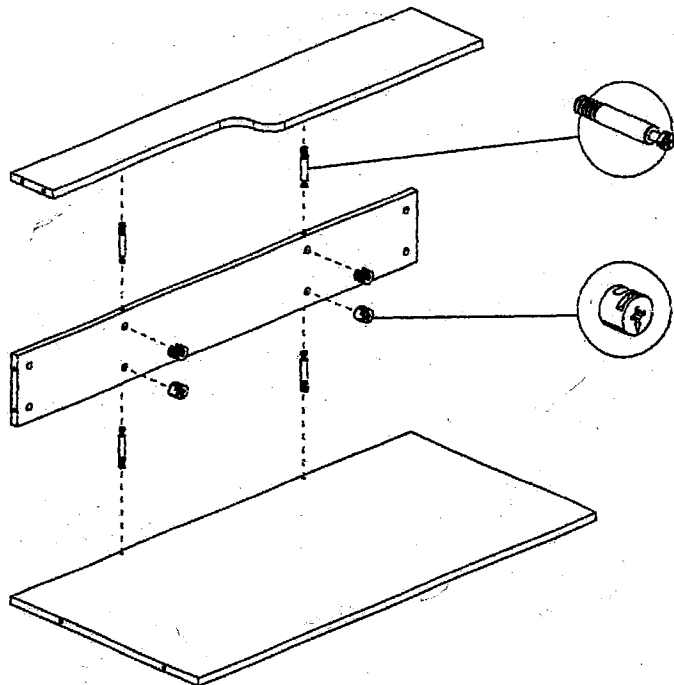


- 

x46
- 

x46
- 

x4
- 

x8
- 
x8

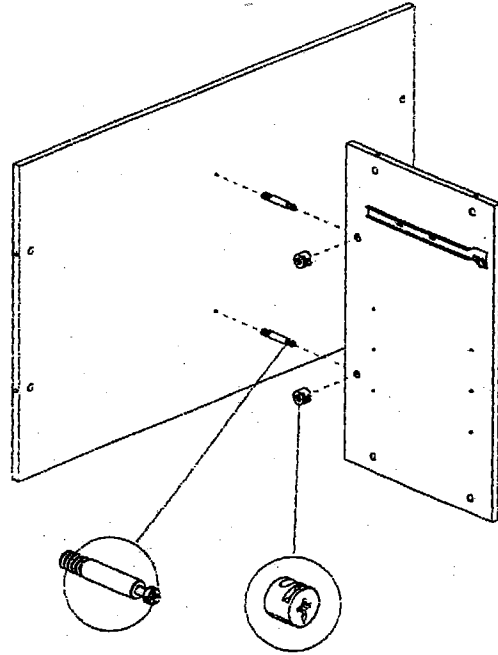
(1)



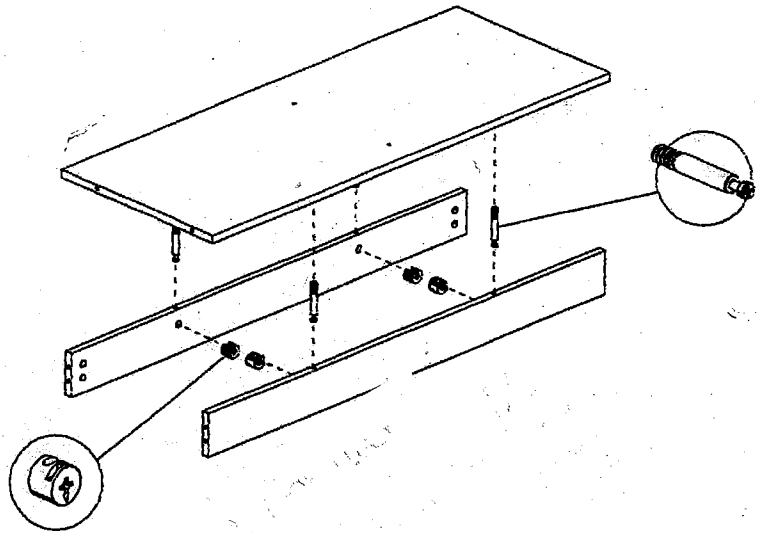
(2)



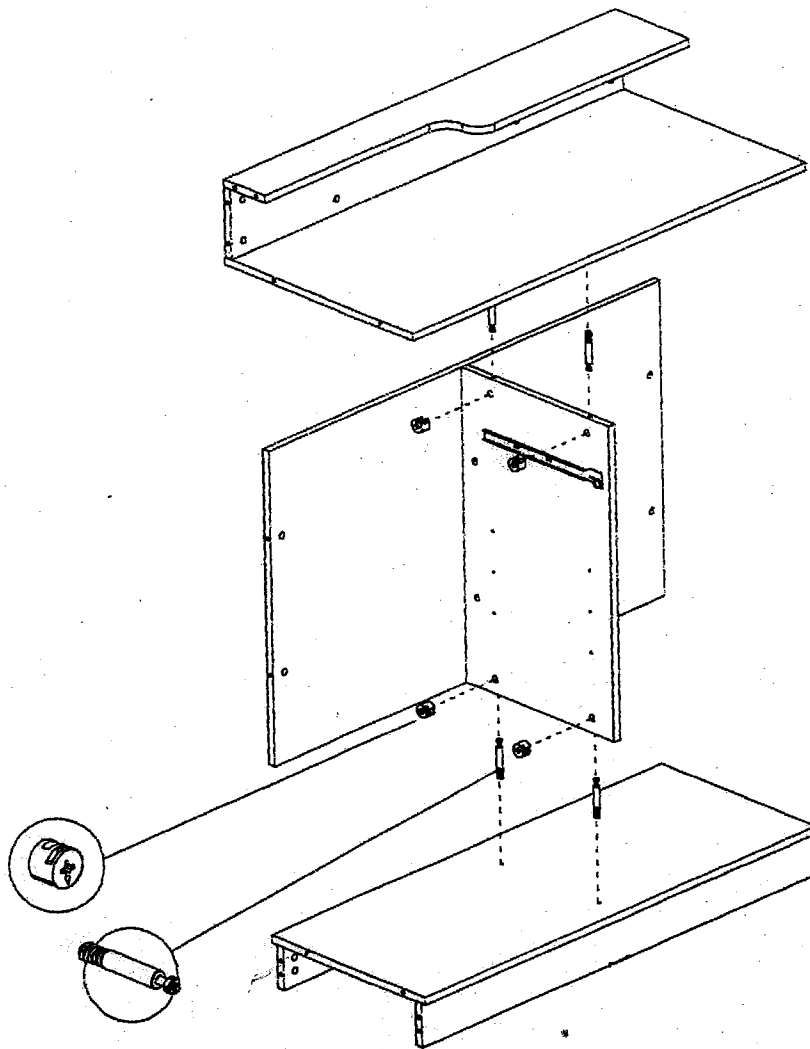
(3)



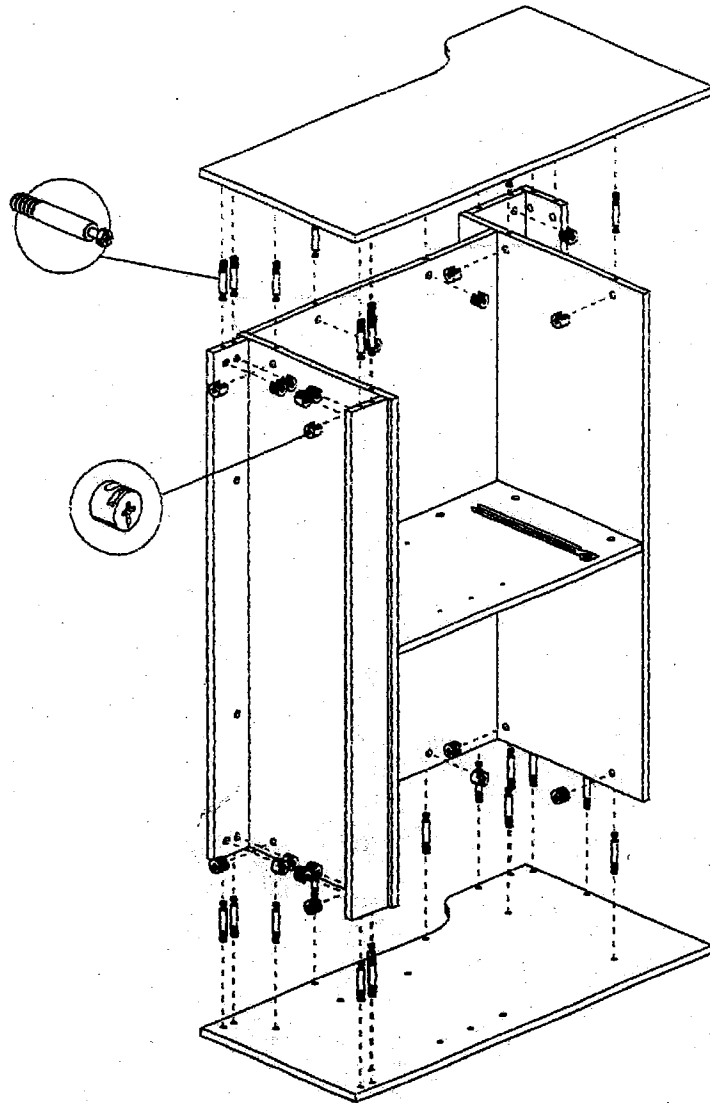
(4)



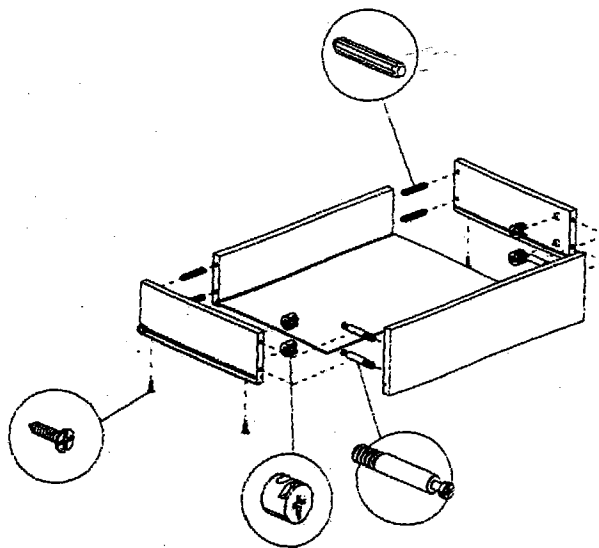
(5)



(6)



(7)



(8)

