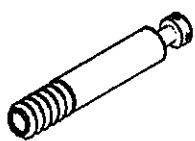
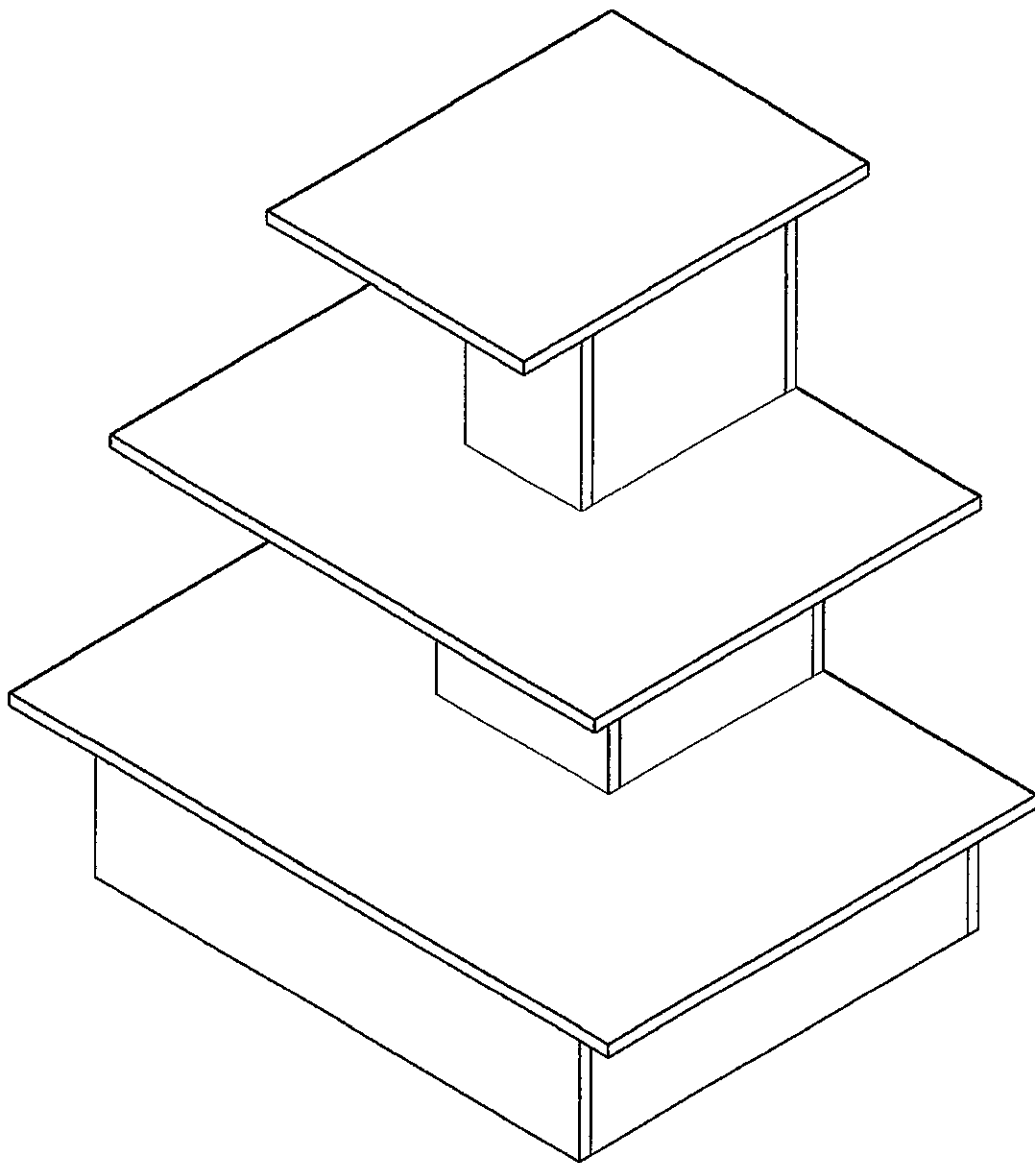


# ASSEMBLY INSTRUCTION

3288



x38

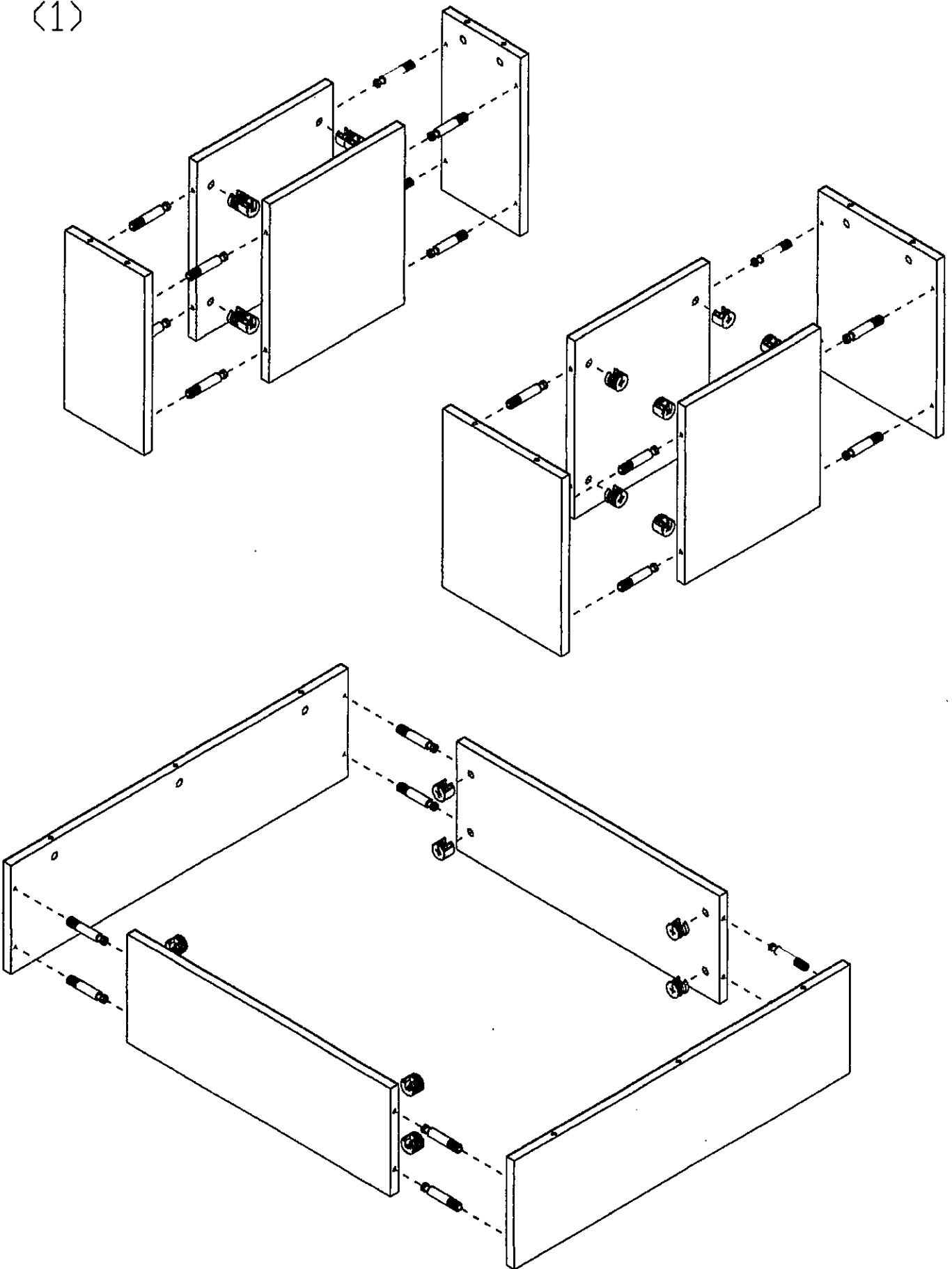


x38

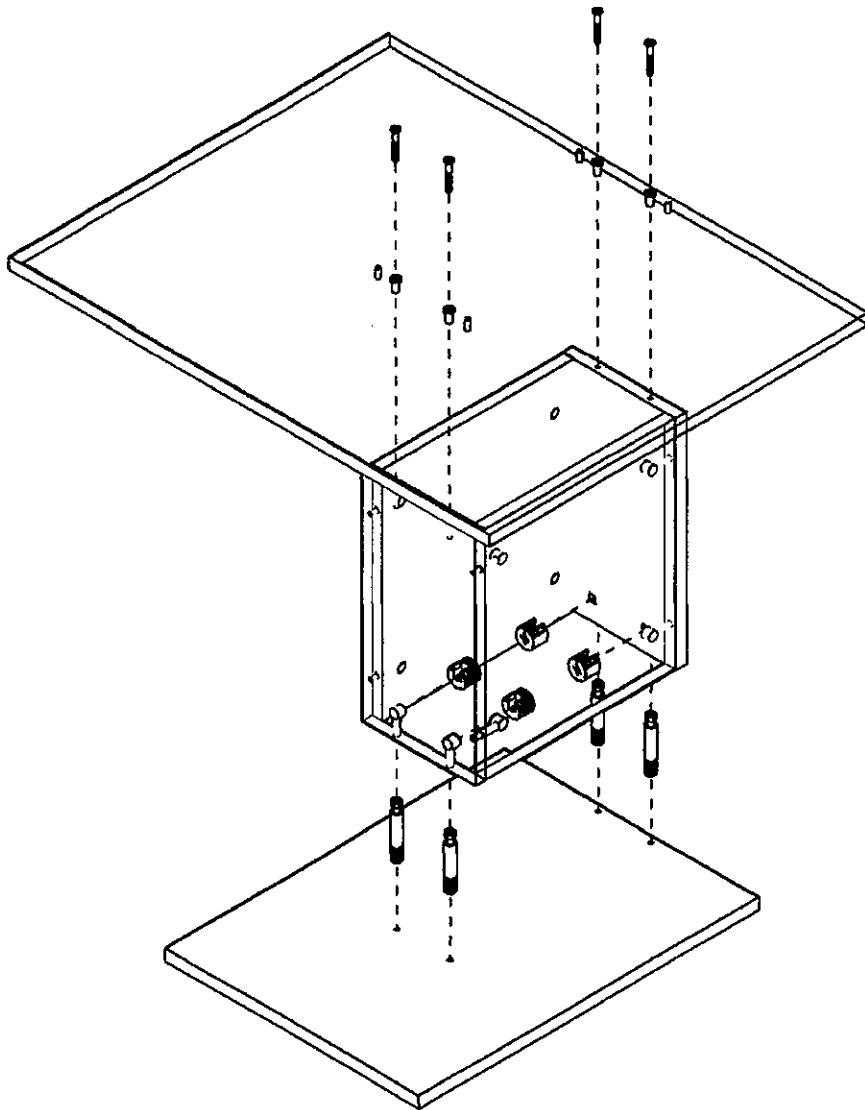


x8

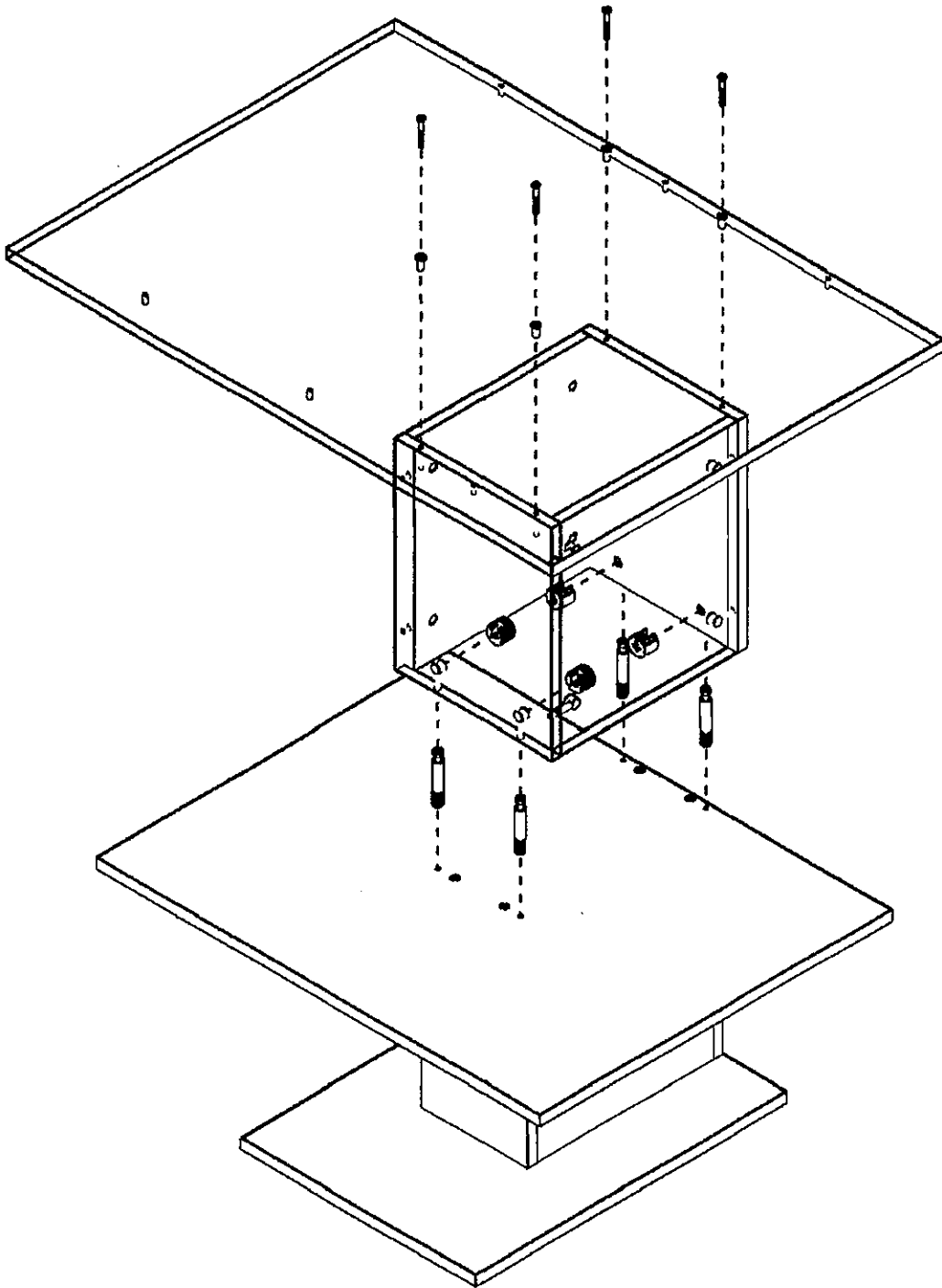
(1)



(2)



(3)



(4)

