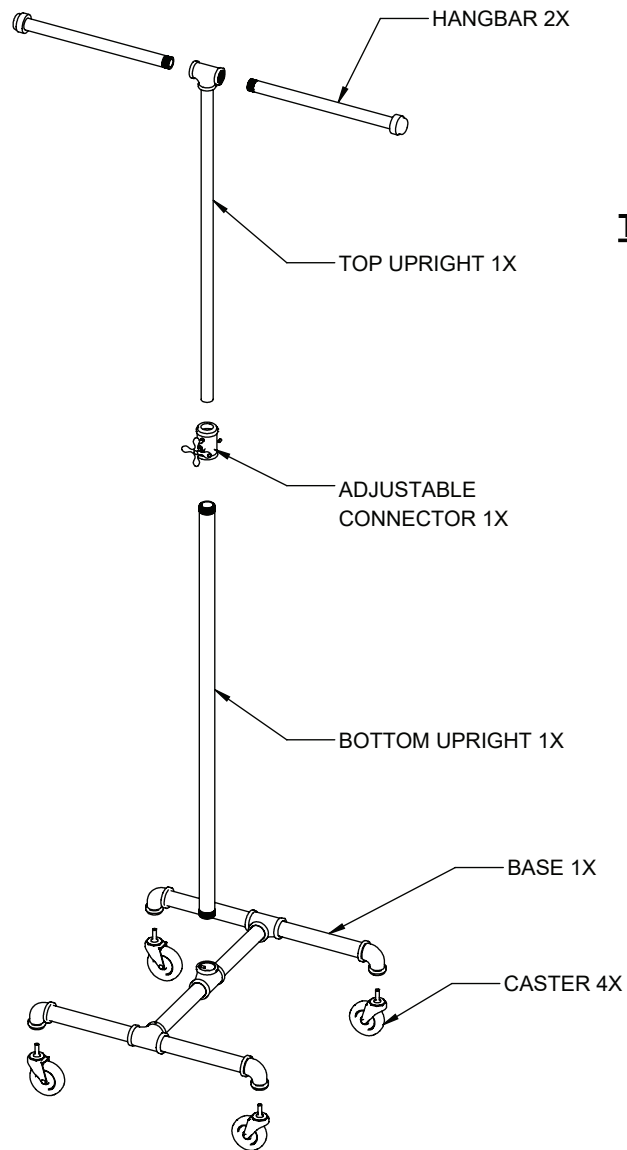
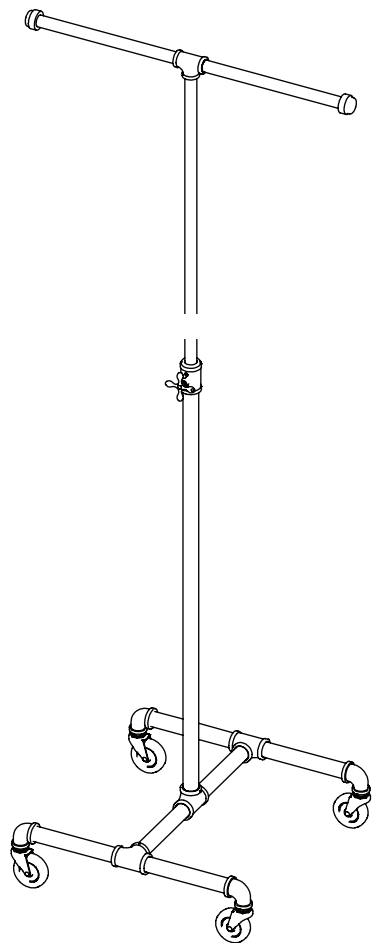
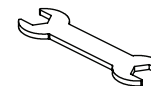


**ASSEMBLY
INSTRUCTIONS FOR:
#3111**



TOOLS INCLUDED

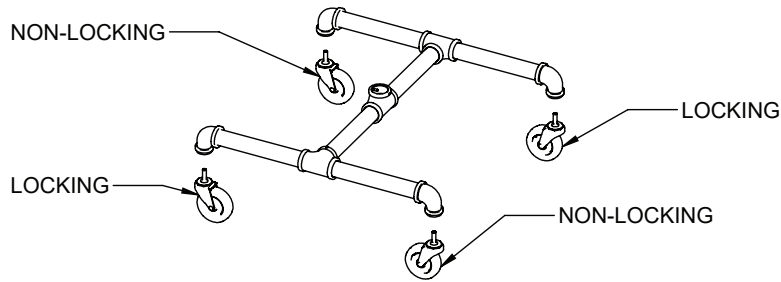


WRENCH



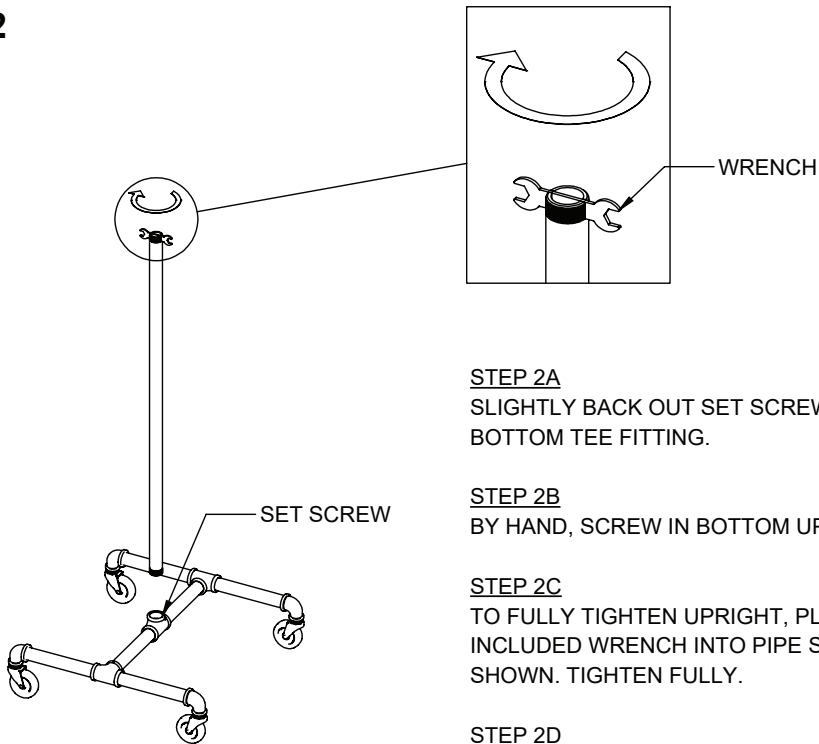
ALLEN KEY

1



SCREW IN THE CASTERS TO THE BASE AS SHOWN USING PROVIDED WRENCH.

2



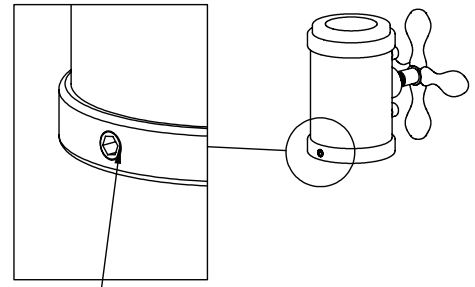
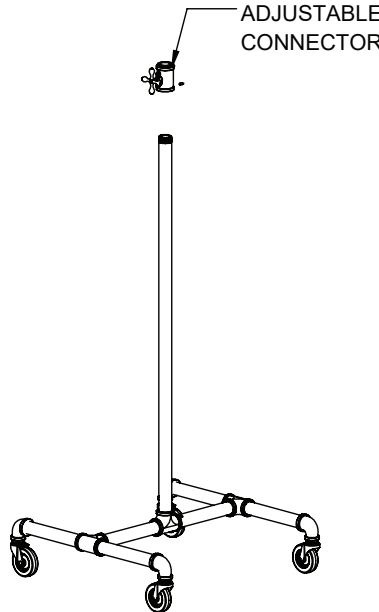
STEP 2A
SLIGHTLY BACK OUT SET SCREWS ON BOTTOM TEE FITTING.

STEP 2B
BY HAND, SCREW IN BOTTOM UPRIGHT.

STEP 2C
TO FULLY TIGHTEN UPRIGHT, PLACE INCLUDED WRENCH INTO PIPE SLOT AS SHOWN. TIGHTEN FULLY.

STEP 2D
TIGHTEN SET SCREW ON BOTTOM TEE FITTING.

3



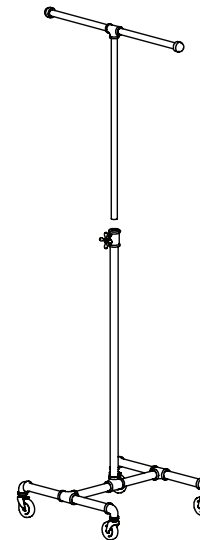
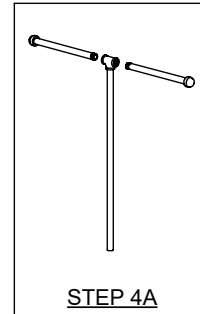
SET SCREW

STEP 3A
WITH ALLEN KEY, SLIGHTLY BACK OUT SET SCREWS ON ADJUSTABLE CONNECTOR.

STEP 3B
BY HAND, SCREW ADJUSTABLE CONNECTOR TO BOTTOM UPRIGHT.

STEP 3C
RETIGHTEN SET SCREW ON ADJUSTABLE CONNECTOR.

4



STEP 4B

STEP 4A
SCREW HANGBARS ONTO TOP UPRIGHT.

STEP 4B
(UNTIGHTEN HAND WHEEL) INSERT TOP UPRIGHT INTO BOTTOM UPRIGHT.

STEP 4C
TIGHTEN HAND WHEEL TO SECURE TOP UPRIGHT IN DESIRED POSITION.