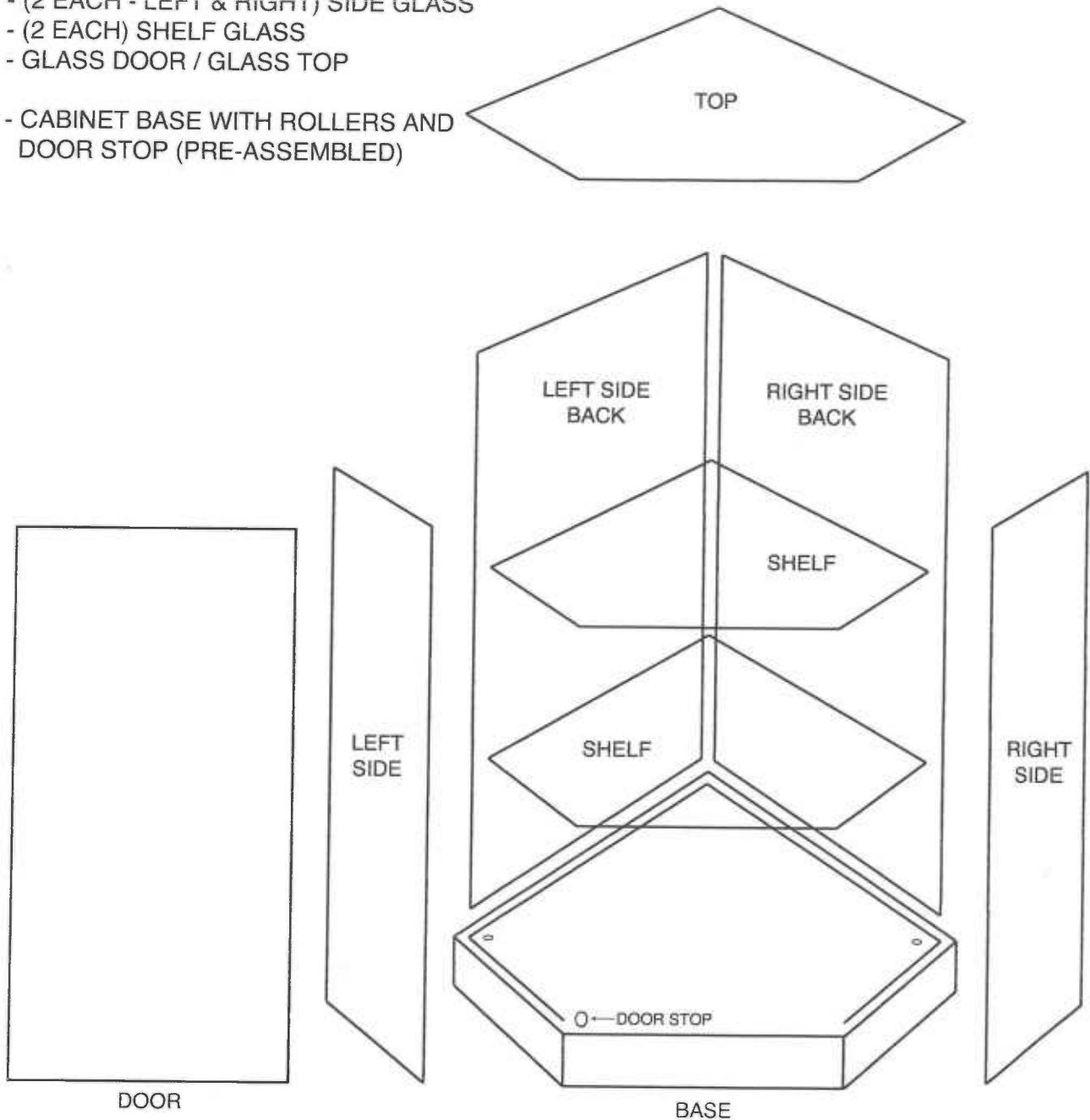


ASSEMBLY INSTRUCTIONS MANUAL

PARTS IN CARTON:

CAREFULLY REMOVE CABINET PIECES FROM PACKING. CABINET SETUP INCLUDES:

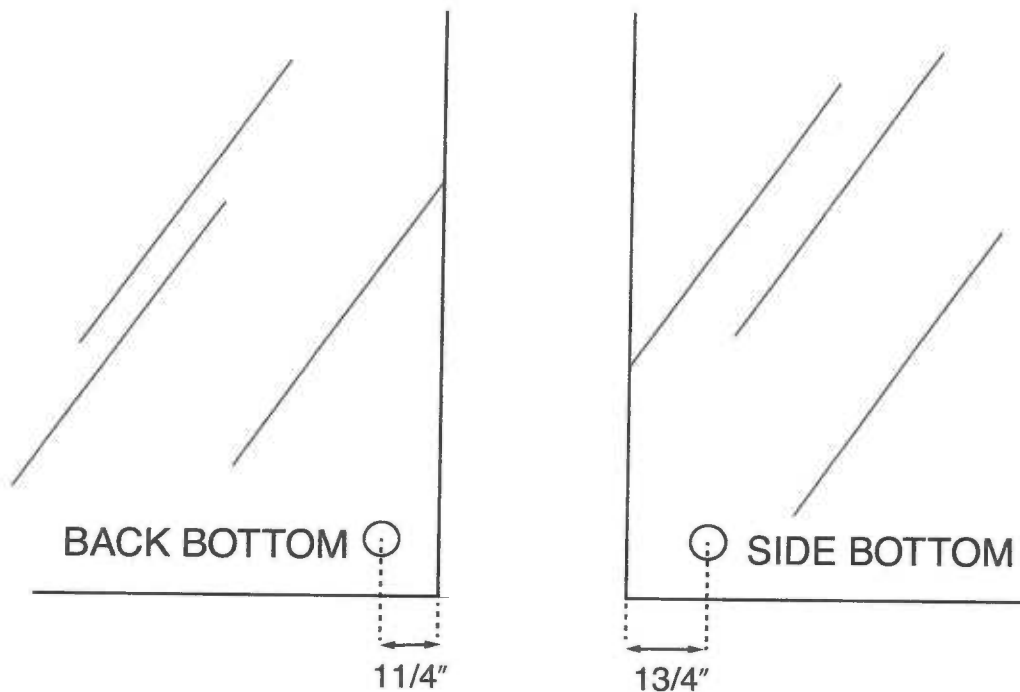
- (2 EACH - LEFT & RIGHT) BACK GLASS
- (2 EACH - LEFT & RIGHT) SIDE GLASS
- (2 EACH) SHELF GLASS
- GLASS DOOR / GLASS TOP
- CABINET BASE WITH ROLLERS AND DOOR STOP (PRE-ASSEMBLED)



ASSEMBLY INSTRUCTIONS MANUAL

IMPORTANT

BOTTOM OF BOTH BACK AND SIDE GLASS HAS A SLIGHTLY DIFFERENT HOLE PLACEMENT THAN THE TOP OF EACH PIECE OF GLASS



MEASURE THE GLASS SPACE BETWEEN EDGE OF GLASS AND CENTER OF HOLE. HOLE FURTHEST FROM EDGE GOES ON BOTTOM

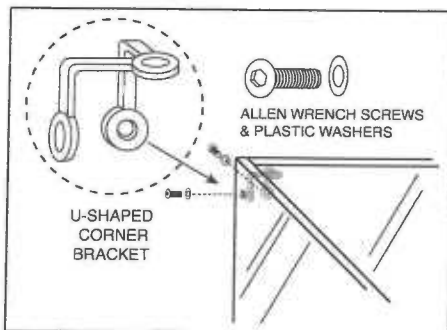
GLASS CAN ONLY BE ASSEMBLED ONE WAY!

ASSEMBLY INSTRUCTIONS MANUAL

* IN STEPS 1 THROUGH 3 OF THE ASSEMBLY - TWO PEOPLE ARE RECOMMENDED

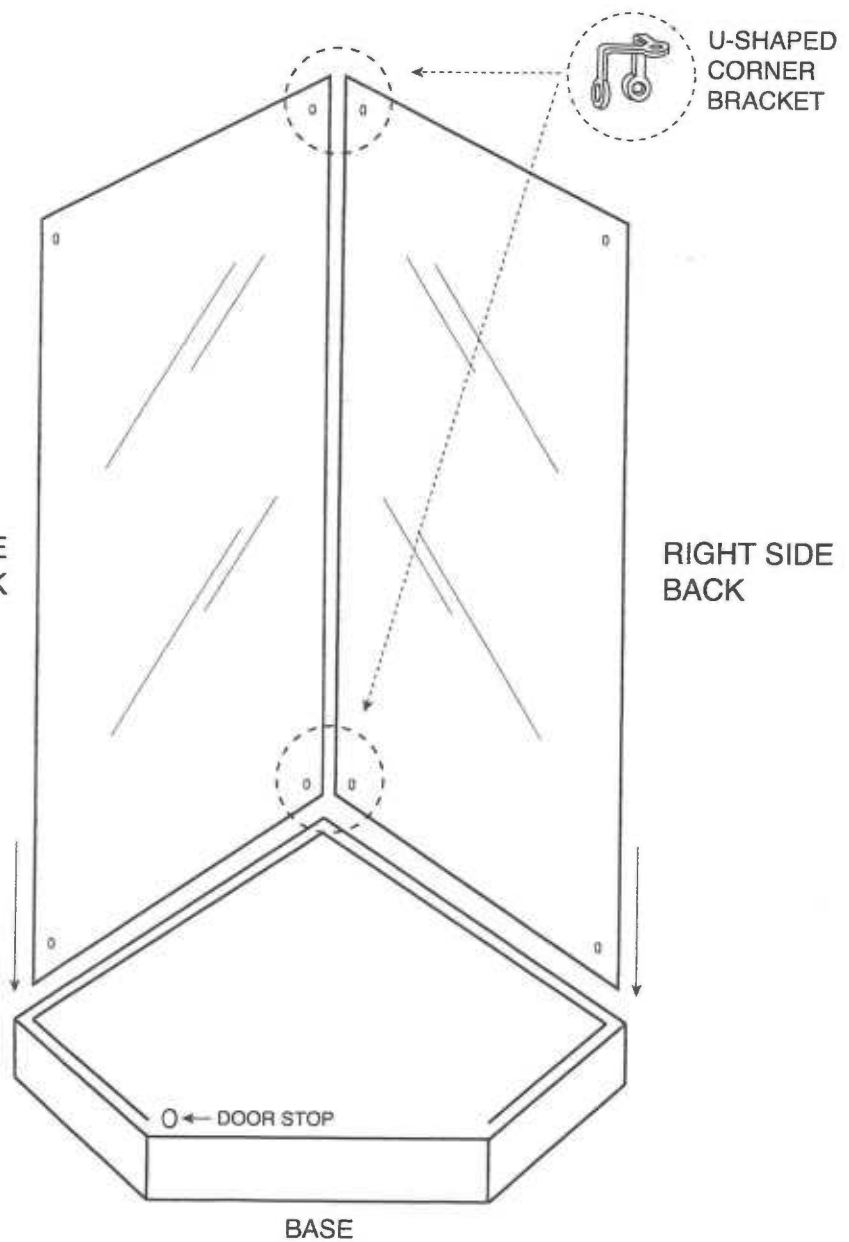
STEP 1. PLACE LEFT SIDE BACK GLASS INTO BACK BASE GROOVE OF CABINET BASE. MAKE SURE GLASS PRECISELY FITS BACK BASE GROOVE IN ORDER TO ACCOMODATE THE RIGHT SIDE BACK PANEL NEXT. MAKE CERTAIN ON BOTH BACK AND SIDE PANELS THAT YOU RECOGNIZE THE BOTTOM OF EACH PANEL CORRECTLY.
(SEE PREVIOUS PAGE FOR DETAILS)

STEP 2. PLACE RIGHT SIDE BACK GLASS INTO BACK BASE GROOVE. ATTACH U-BRACKET (TOP & BOTTOM) WITH ALLEN WRENCH SCREWS AND WASHERS.



LEFT SIDE
BACK

RIGHT SIDE
BACK

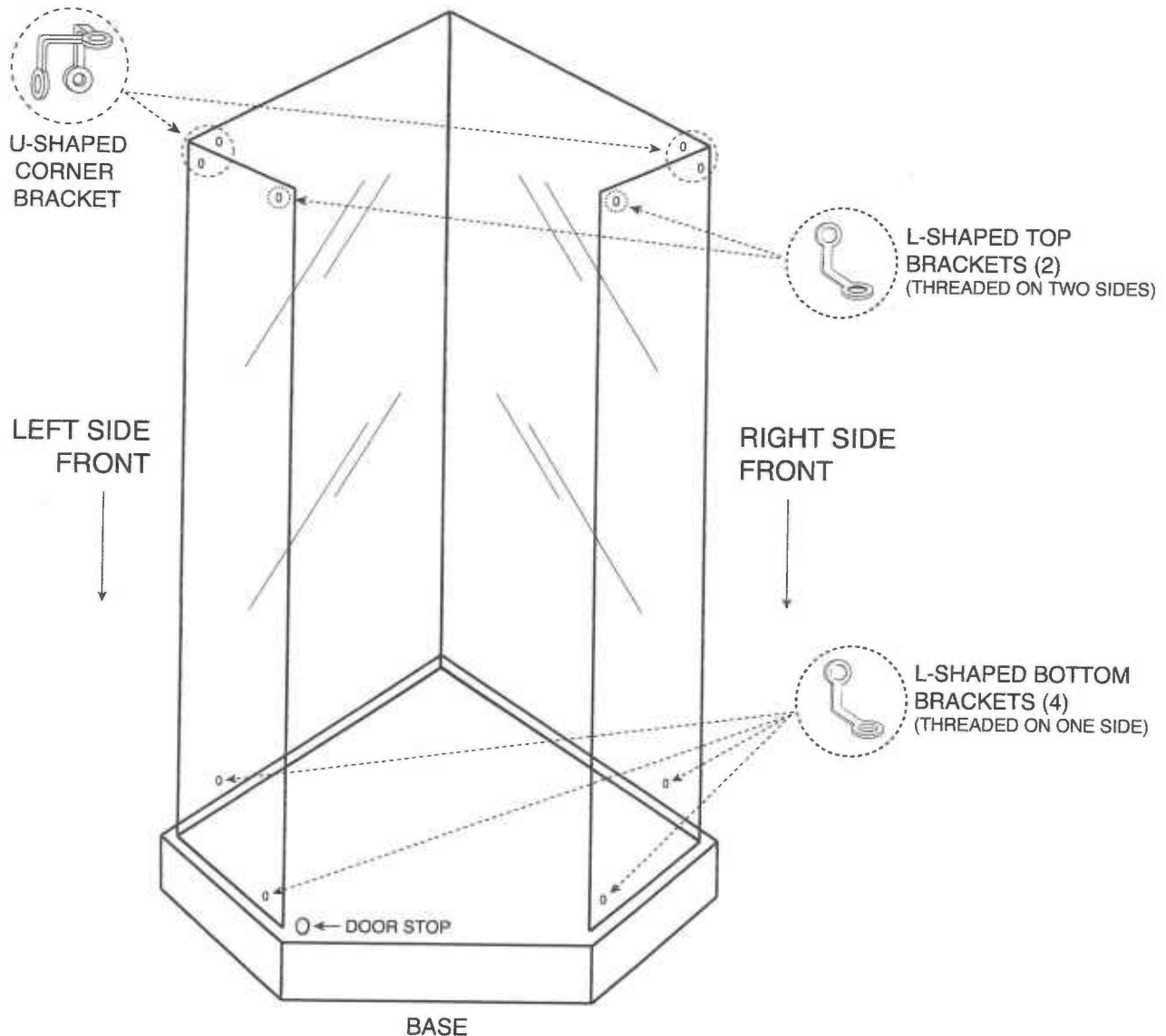


ASSEMBLY INSTRUCTIONS MANUAL

STEP 3. PLACE LEFT SIDE FRONT INTO SIDE BASE GROOVE OF CABINET BASE. MAKE CERTAIN ON BOTH BACK AND SIDE PANELS THAT YOU RECOGNIZE THE BOTTOM OF EACH PANEL CORRECTLY. (SEE PAGE 6).

ATTACH U-BRACKET (TOP ONLY) WITH ALLEN WRENCH SCREWS AND WASHERS. REPEAT FOR RIGHT SIDE FRONT.

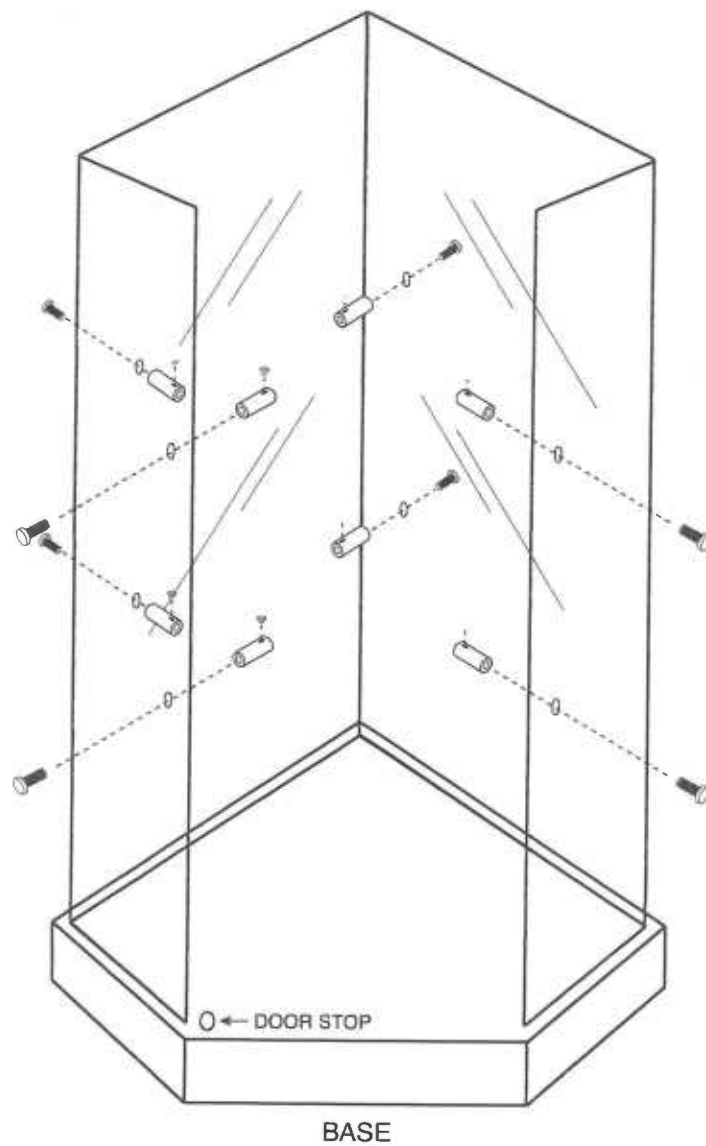
STEP 4. HAND SCREW IN ALL CORNER HARDWARE. DO NOT TIGHTEN WITH ALLEN WRENCH YET. THIS ALLOWS FLEXIBILITY UNTIL ASSEMBLY IS NEARLY COMPLETE.



ASSEMBLY INSTRUCTIONS MANUAL

STEP 5. SCREW FLAT HEAD BOLTS INTO CHROME CYLINDERS - PLACE RUBBER GROMMETS INTO HOLES (THIS SUPPORTS GLASS SHELF). (8) CYLINDERS ALL TOGETHER (4 FOR EACH SHELF).

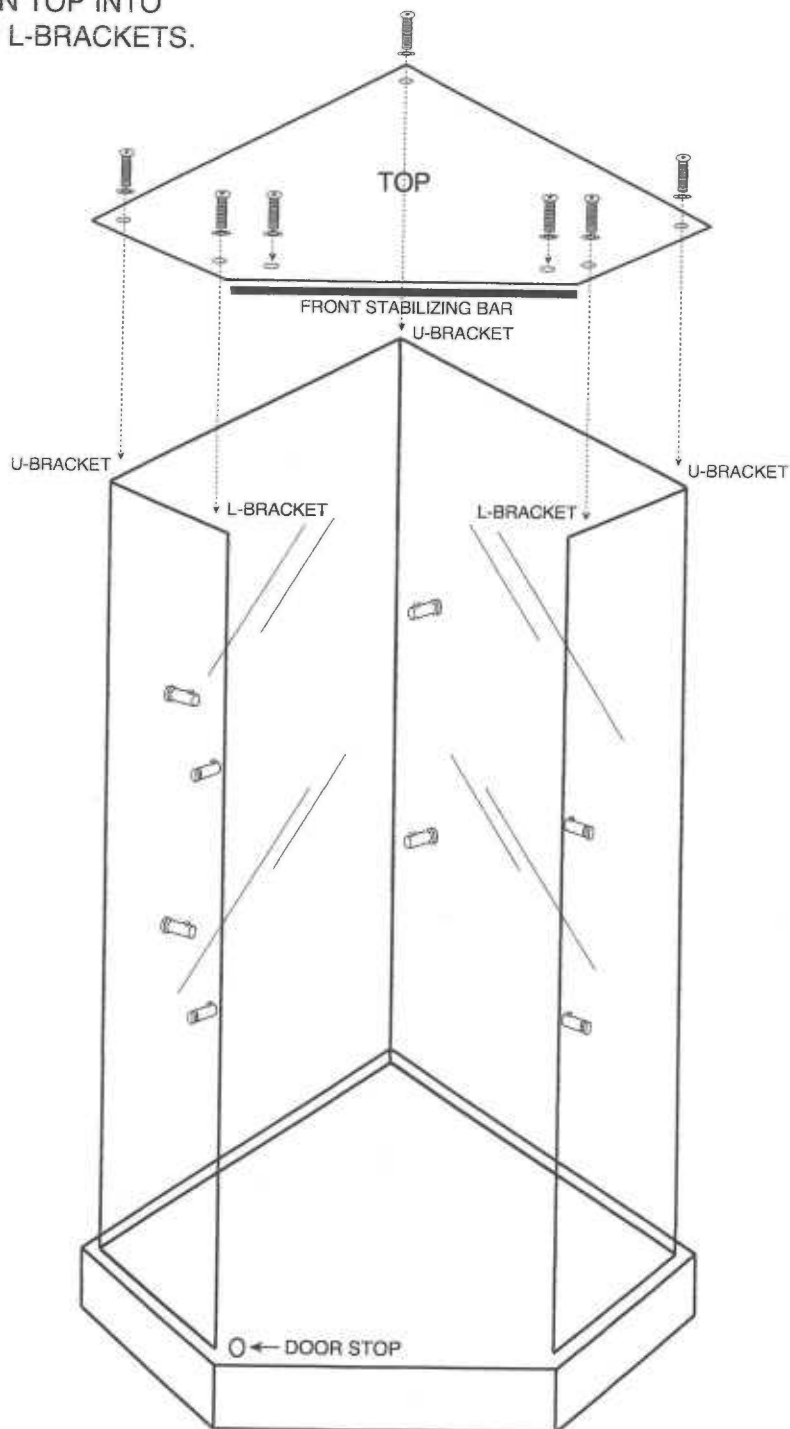
***NOTE** - MAKE SURE RUBBER GROMMETS ARE FACING UP TO SUPPORT GLASS SHELVES.



ASSEMBLY INSTRUCTIONS MANUAL

STEP 6. SCREW FRONT STABILIZING BAR TO TOP GLASS TOP USING (2) ALLEN WRENCH SCREWS AND WASHERS (FLAT SIDE UP - STAINLESS STEEL GROOVE GOES TO THE FRONT WITH THE RECESSED PORTION ON THE LEFT SIDE TO ACCOMODATE THE LOCK LEVER).

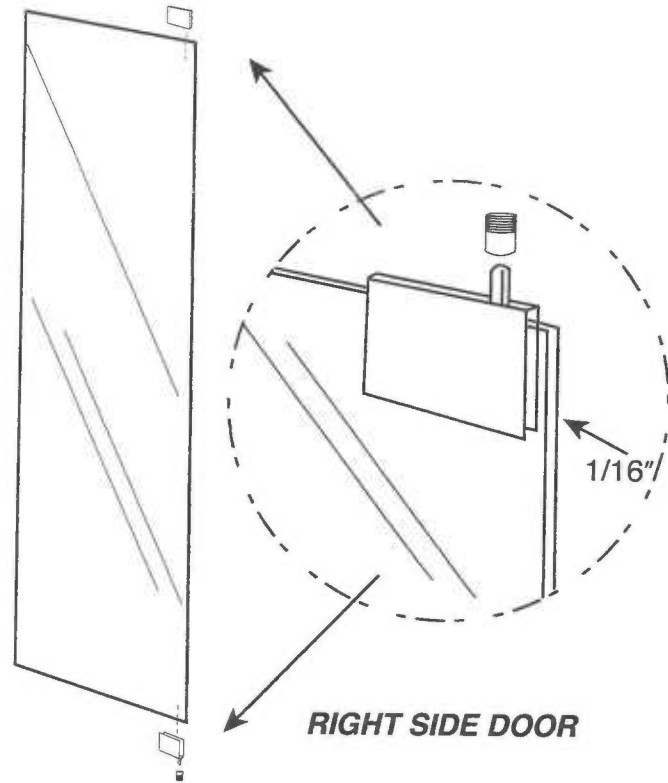
STEP 7. SCREW ON TOP INTO U-BRACKETS AND L-BRACKETS.



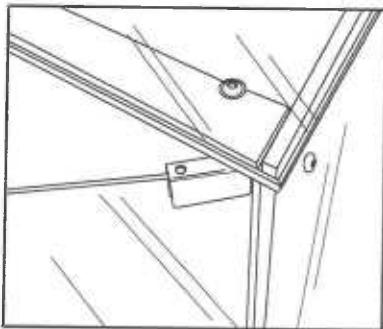
ASSEMBLY INSTRUCTIONS MANUAL

STEP 8. WHEN INSERTING HINGE DOOR PIN INTO ASSEMBLY - INSERT SLEEVE INTO BASE AND THEN INTO STABILIZING BAR (TOP) - SLIDE DOOR PIN INTO SLEEVE TO STABILIZE DOOR. INSERT TOP DOOR PIN INTO GLASS TOP.

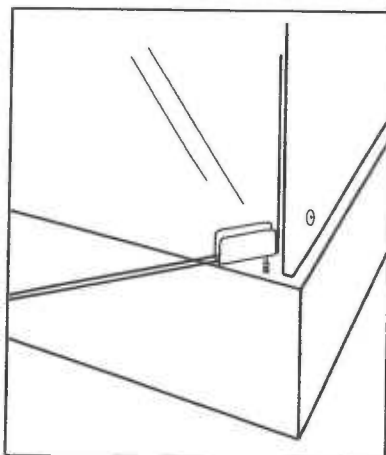
ATTACH DOOR SLEEVES APPROXIMATELY 1/16" FROM EDGE OF GLASS.



TOP RIGHT CORNER

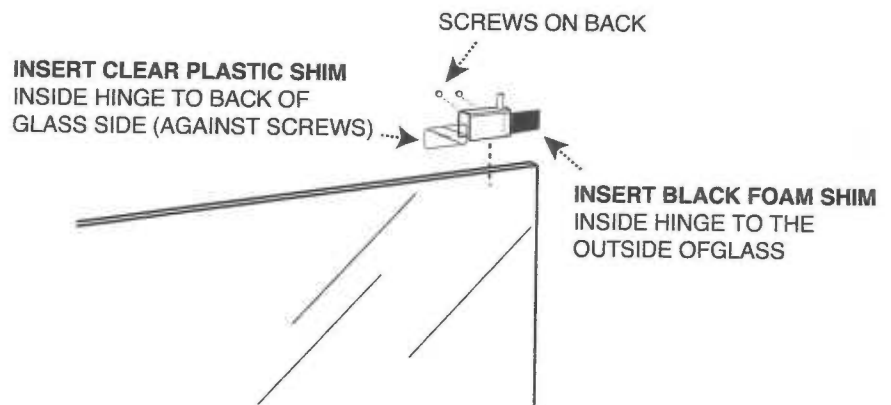


BOTTOM RIGHT CORNER



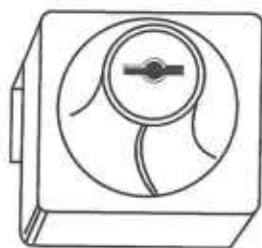
ATTACH **TOP RIGHT** OF FRONT DOOR (APPROXIMATELY 1/16" FROM EDGE OF GLASS) - **REPEAT** HINGE ASSEMBLY ON **BOTTOM**

(PLACE DROP OF GLUE ON PLASTIC TO HOLD IN PLACE)



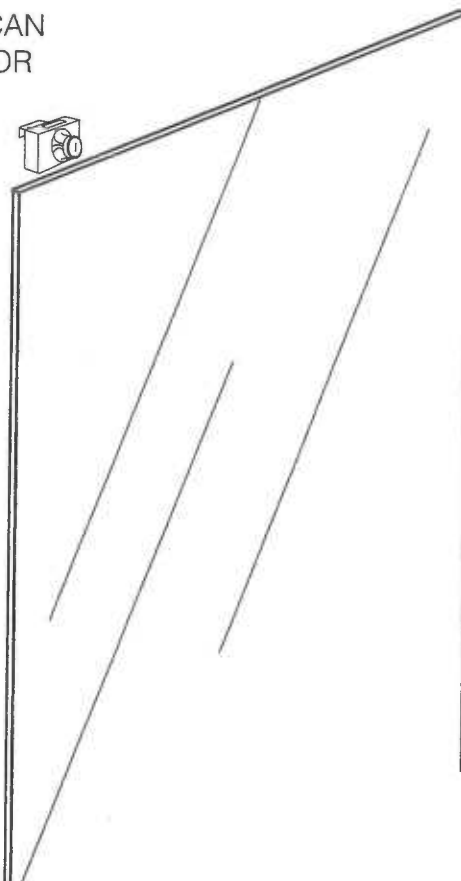
ASSEMBLY INSTRUCTIONS MANUAL

STEP 9. ATTACH THE DOOR LOCK. LOCK CAN ONLY BE ATTACHED TO THE LEFT OF DOOR



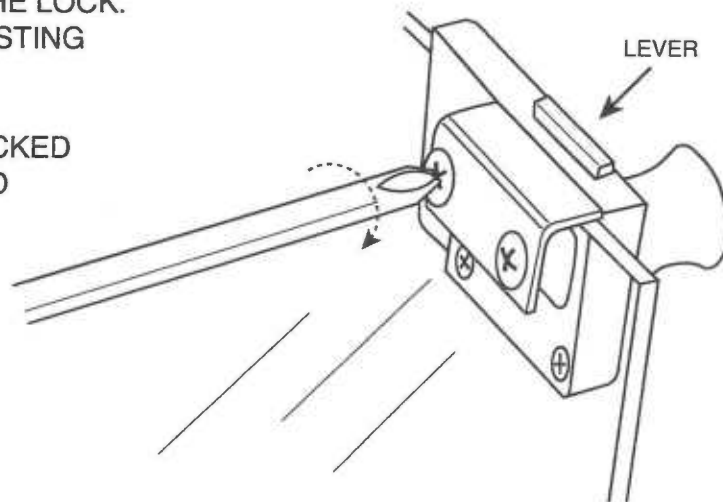
FRONT LOCK

TOP DOOR



ADJUST DOOR BEFORE ATTACHING THE LOCK.
LEVEL DOOR TO SIDE GLASS BY ADJUSTING
DOOR HINGE SCREWS.

ADJUST LOCK ON DOOR SO WHEN LOCKED
THAT THE LEVER FITS INTO RECESSED
PART OF STABILIZING BAR.



ASSEMBLY INSTRUCTIONS MANUAL

STEP 10. TIGHTEN ALL ALLEN WRENCH SCREWS ONCE THE DOOR HAS BEEN INSTALLED AND OPENS AND CLOSES PROPERLY (LEVEL DOOR TO LEFT & RIDGE SIDE PANELS).

STEP 11. INSTALL SHELVES. (YOU WILL HAVE TO INSERT THEM THROUGH THE DOOR ON A ANGLE, THEN GENTLY LOWER ONTO RUBBER GROMETS OF SUPPORTING CYLINDERS.

THIS COMPLETES THE ASSEMBLY.

