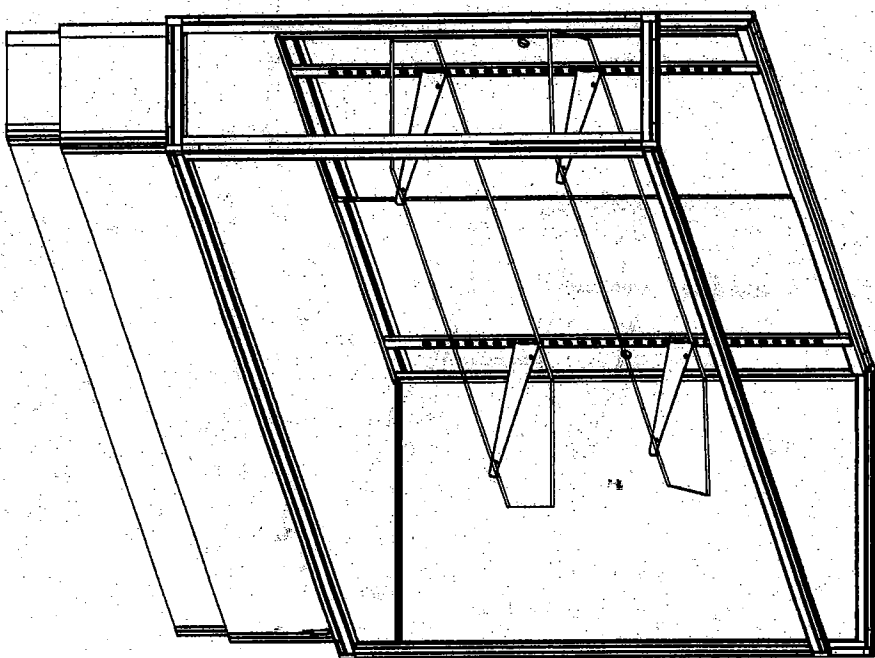
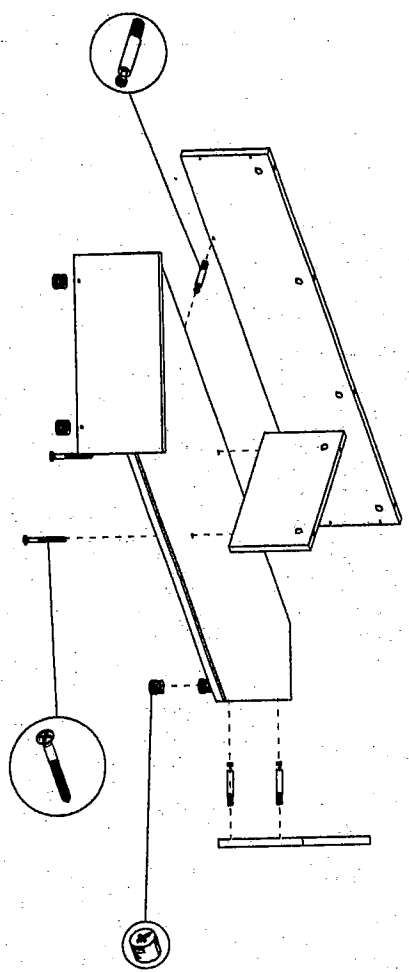


ASSEMBLY INSTRUCTION

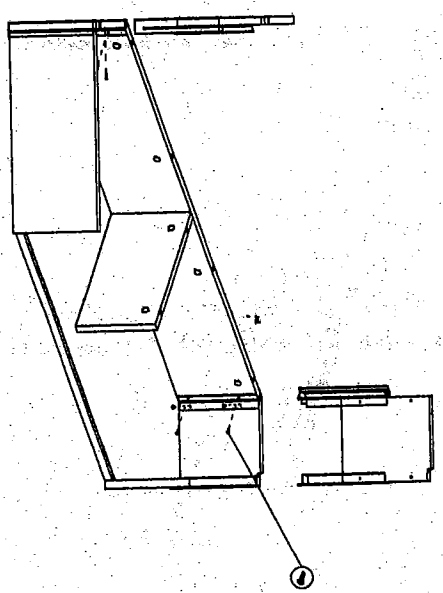
47" FULL VISION CORNER CASE



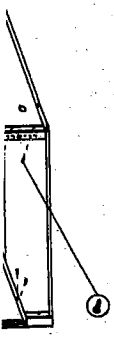
(1)



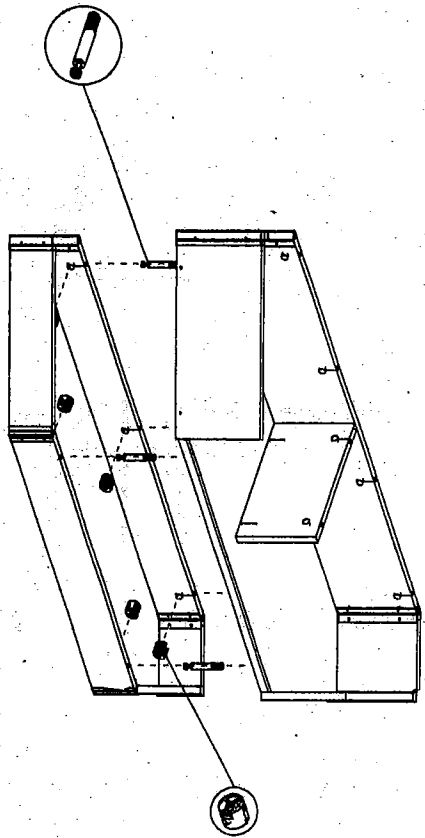
(2)



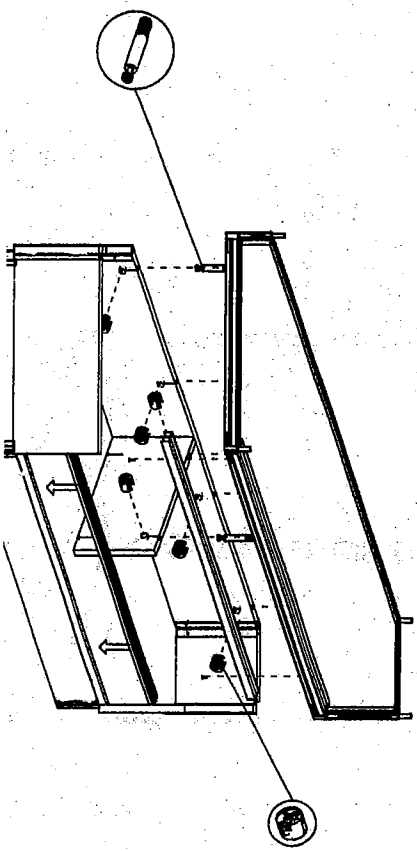
(3)



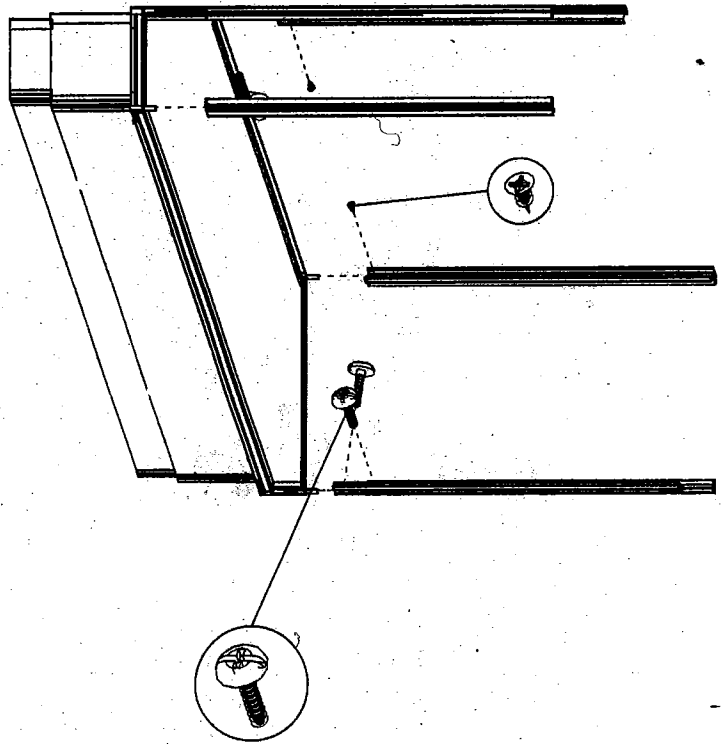
(4)



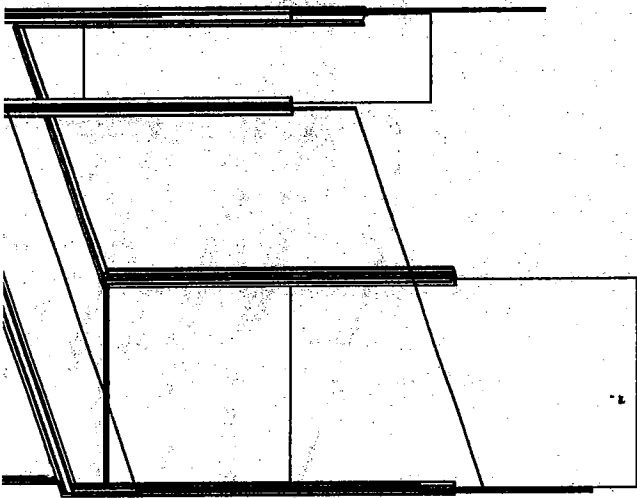
(5)



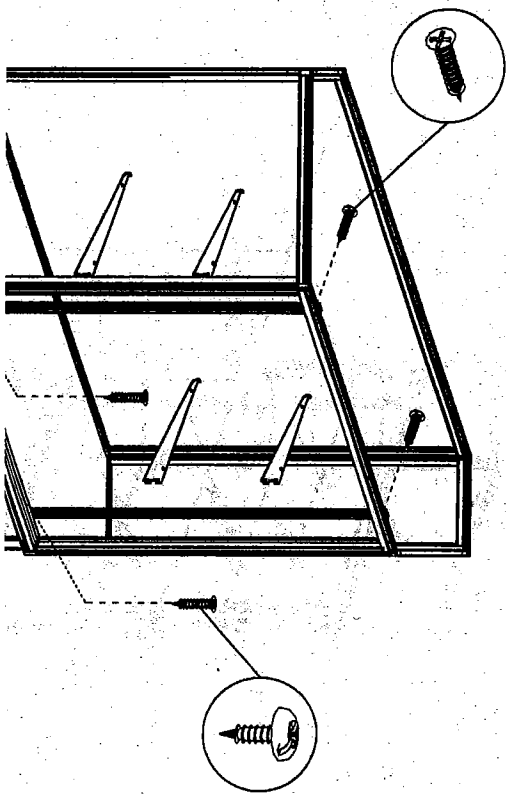
(6)



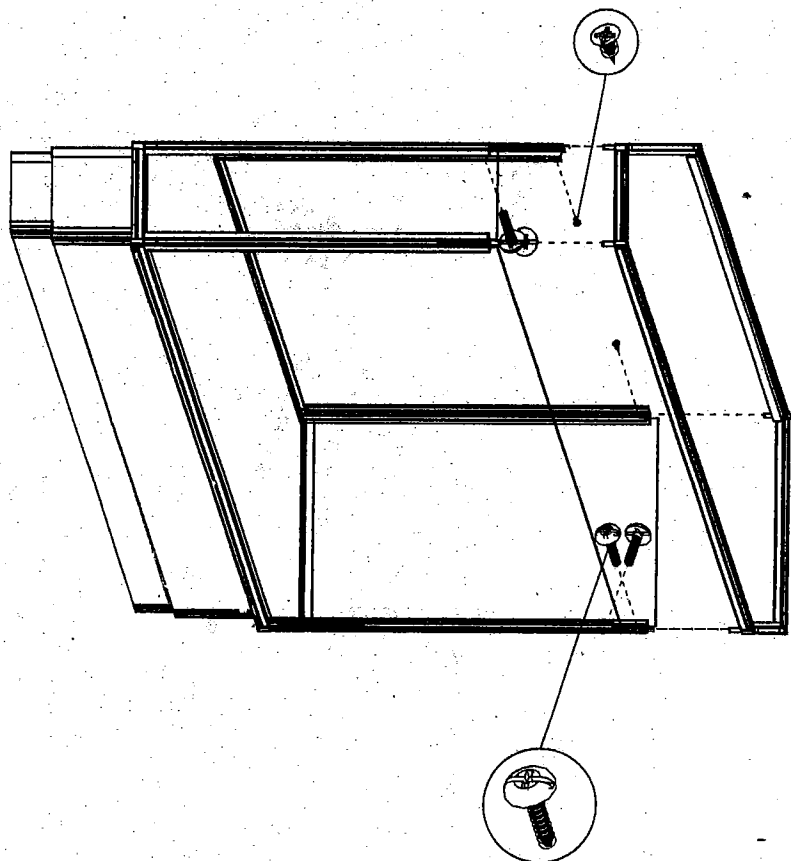
(7)



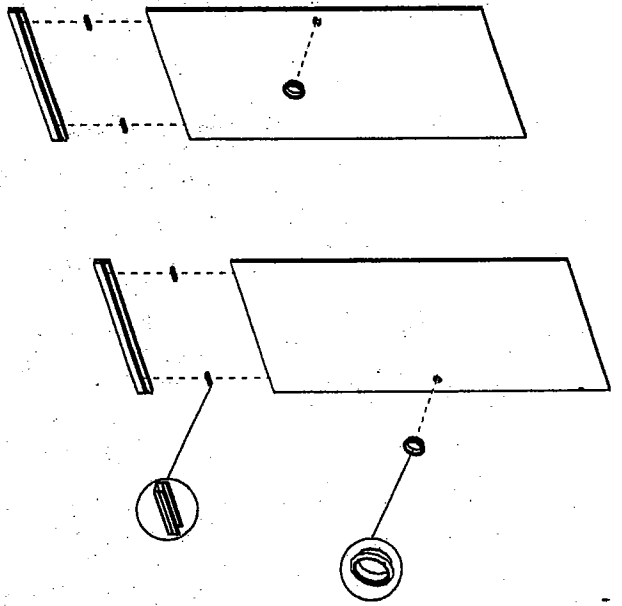
9



8



<10>



<11>

