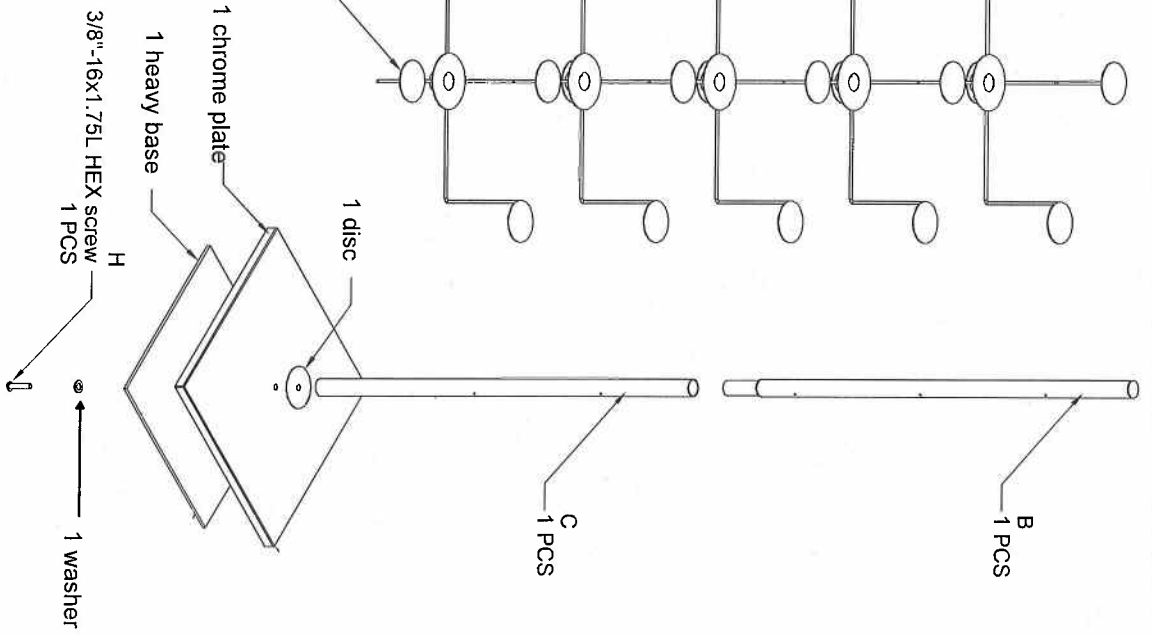
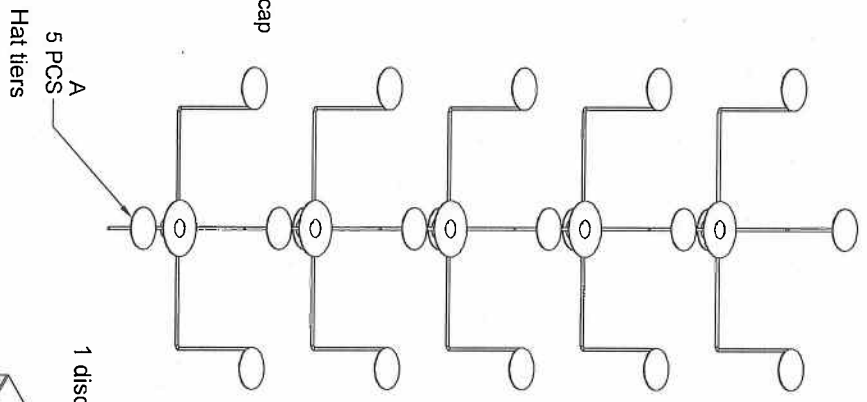
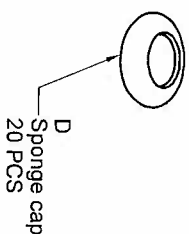
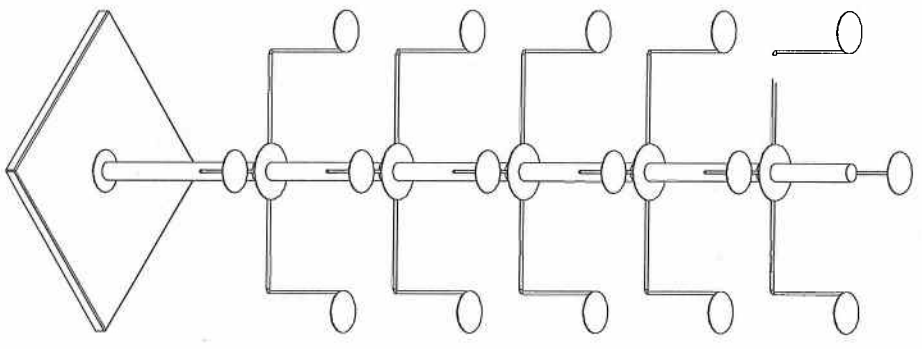


1. Insert hex screw up through washer, heavy base, chrome plate & disc.
2. Thread bottom pole into the hex screw.
3. Stack all 5 hat tiers on the bottom pole.
4. Insert top pole.
5. Starting with the top tier, slide upward to the desired height and tighten using the included allen wrench.
6. Slide sponge caps onto the metal plates.



8/12