

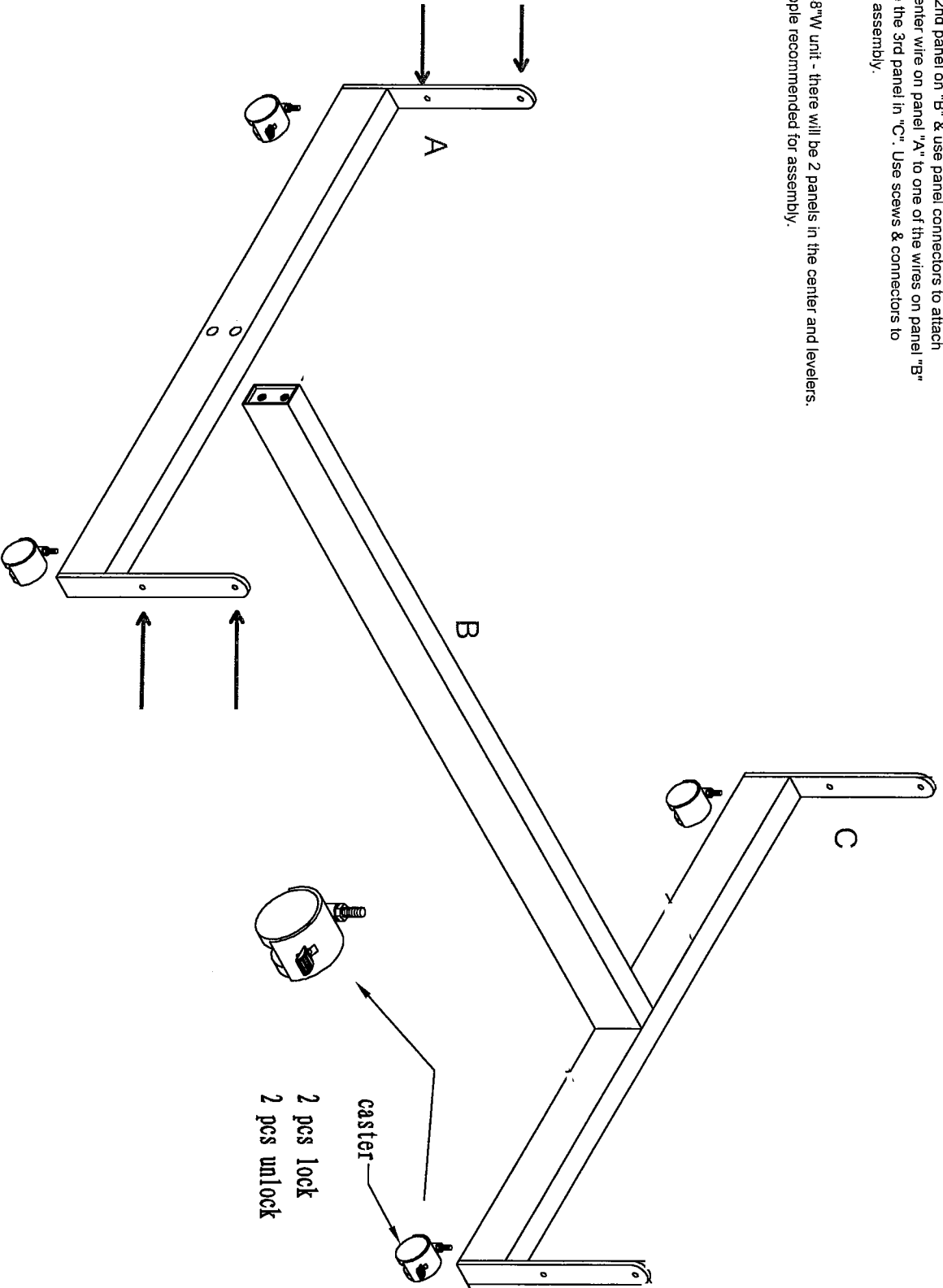
2766/2767

2628/2649

1. Assemble base as shown below.
2. Place 1st panel in "A"
3. Screws should go through the double wire on the panel facing in.
4. Hold 2nd panel on "B" & use panel connectors to attach the center wire on panel "A" to one of the wires on panel "B"
5. Place the 3rd panel in "C". Use screws & connectors to finish assembly.

Notes:

- *For 48"W unit - there will be 2 panels in the center and levelers.
- *2 people recommended for assembly.



6/12