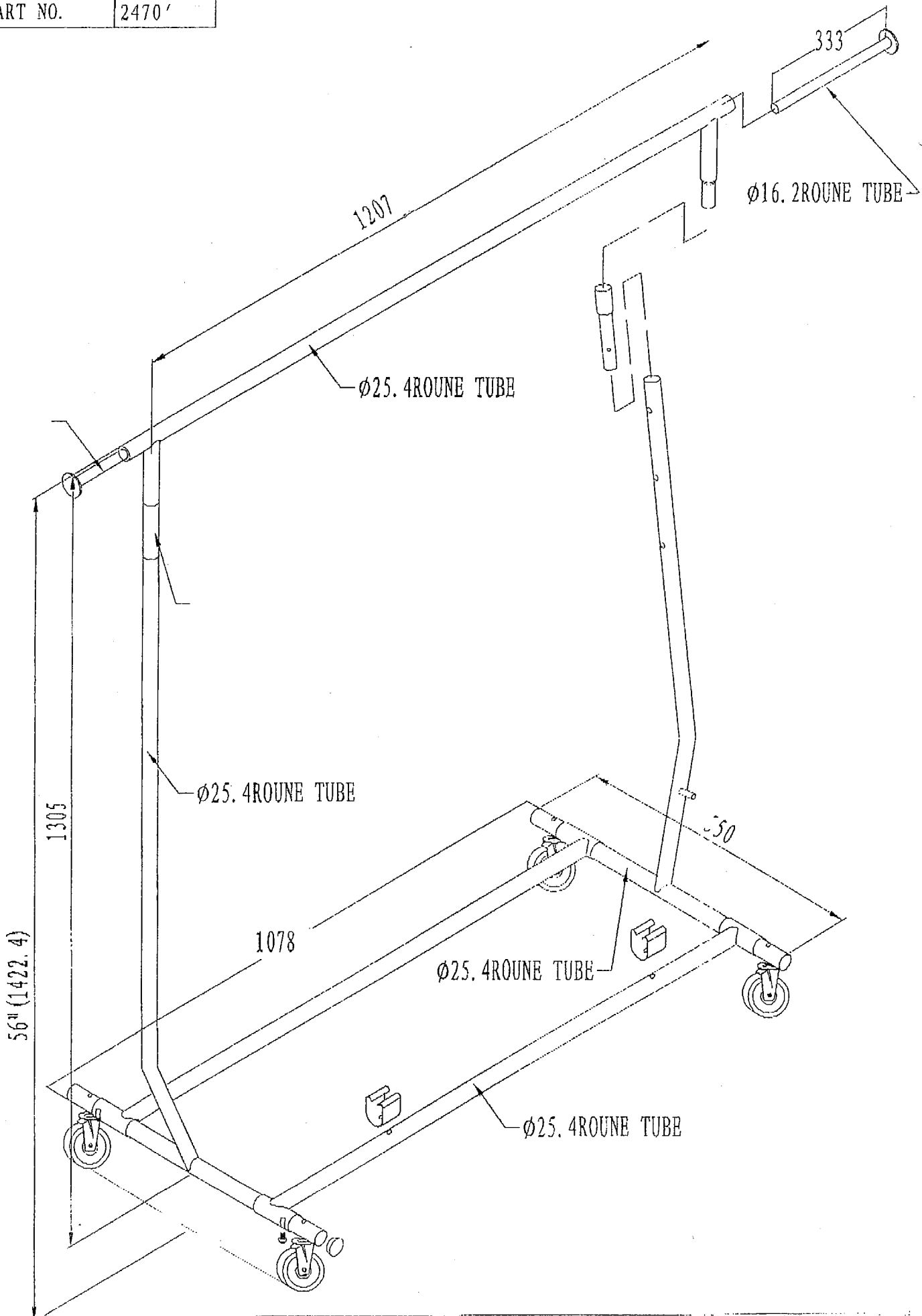


PART NO.

2470'

REVISED EDITION



PART NO.

2470'

REVISED EDITION

