



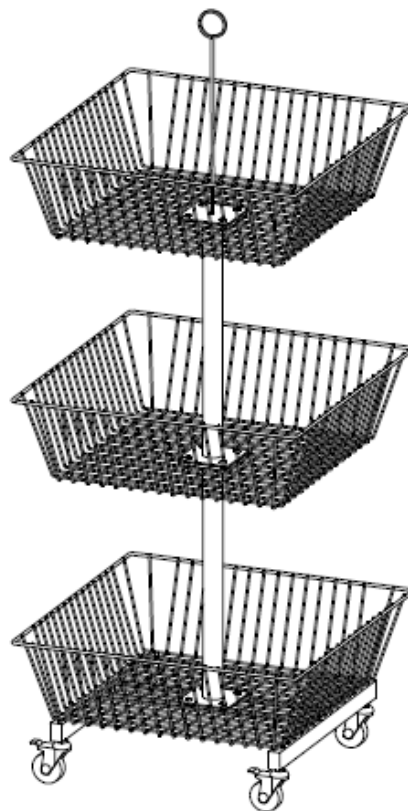
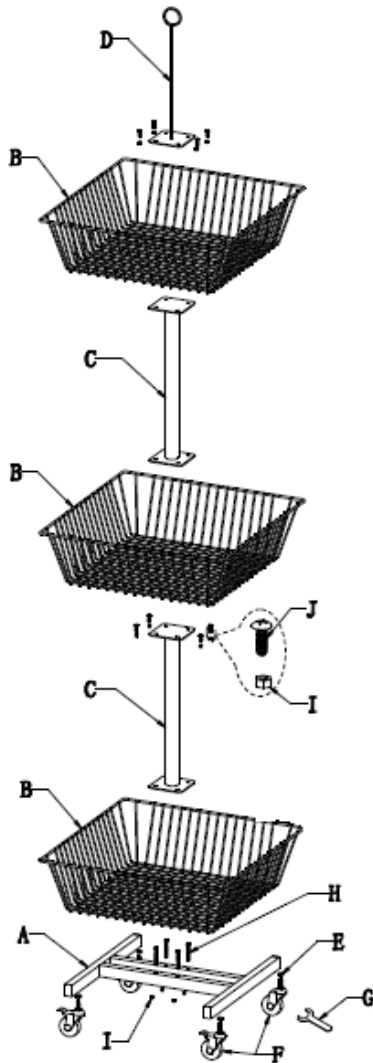
# SPECIALTY STORE SERVICES

454 Jarvis Ave. Des Plaines, IL 60018  
PH: (800) 999-0771 | FX: (888) 368-8001  
www.specialtystoreservices.com

## ASSEMBLY INSTRUCTIONS

#2401 3 Tier Square Basket

Display



### PARTS LIST

A	-	Base
1pc		
B	-	Basket
3pcs		
C	-	Middle Pole
2pcs		
D	-	Sign Holder
1pc		
E	-	Spring Washer
4pcs		
F	-	Wheel
4pcs		
G	-	Wrench
1pc		
H	-	Long bolt
4pcs		
I	-	Nuts
12pcs		
J	-	Short bolts
8pcs		

- 1. Slide Spring washer (E) over Wheel's bolt (F) fixed to Feet base (A) tighten with Wrench (G)**
- 2. Put a Basket (B) and Middle pole (C) on the Base (A) use 4 Long bolts (H) go through the hole in Middle pole and Base, fixed by nuts (I)**
- 3. Put another Basket (B) and Middle pole on the assembled Middle pole, use 4 Short bolts (J) go through the hole in poles, fixed by nuts(I)**
- 4. Put on last Basket and Sign holder (D), fixed as step 3.**

**NEED MORE HELP? CALL 800-999-0771**