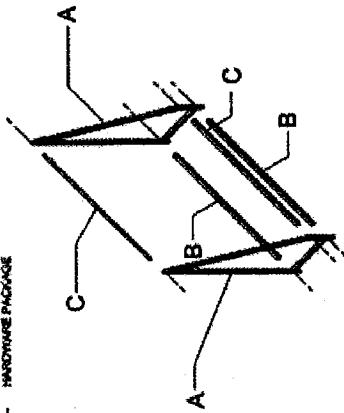


INSTRUCTIONS FOR DVD-CD IMPACT DISPLAY

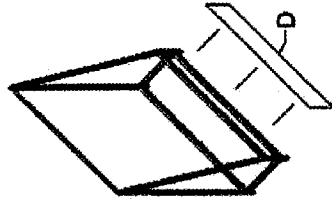
PARTS LIST:

- 2-A) END FRAMES
- 2-B) SCREW TYPE SUPPORT
- 2-C) SCREW TYPE SUPPORT
- 1-D) DECOR PANEL
- 1-E) NINE-BAR SHELVES
- 1- HARDWARE PACKAGE

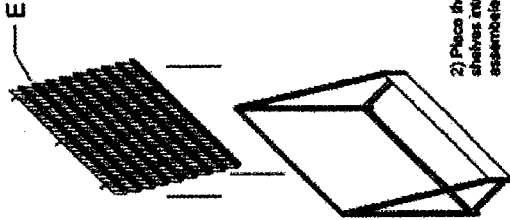


1) First, attach end panels to support bars as shown in the diagram above using screws.

NOTE: Just tightly tighten screws until all are in place, then fully tighten without over-tightening the screws.



2) Connect "D" Decor panel to the front of the unit with the attached mounting clips.



2) Place the nine-bar shelves into the assembled frame.

SPECIALTY STORE SERVICES
1-800-999-0771
Box S, 11-5-01

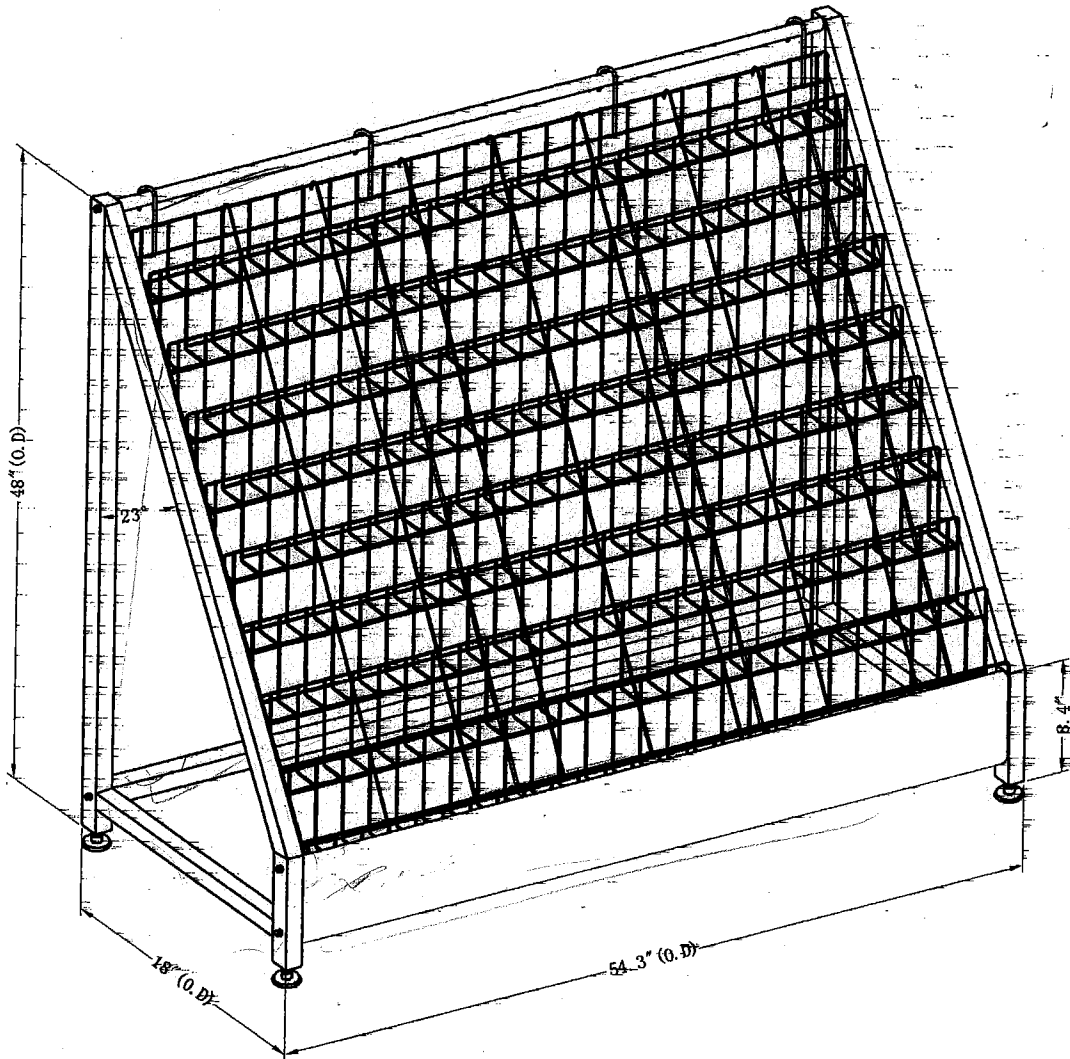
Print

Email

NEW

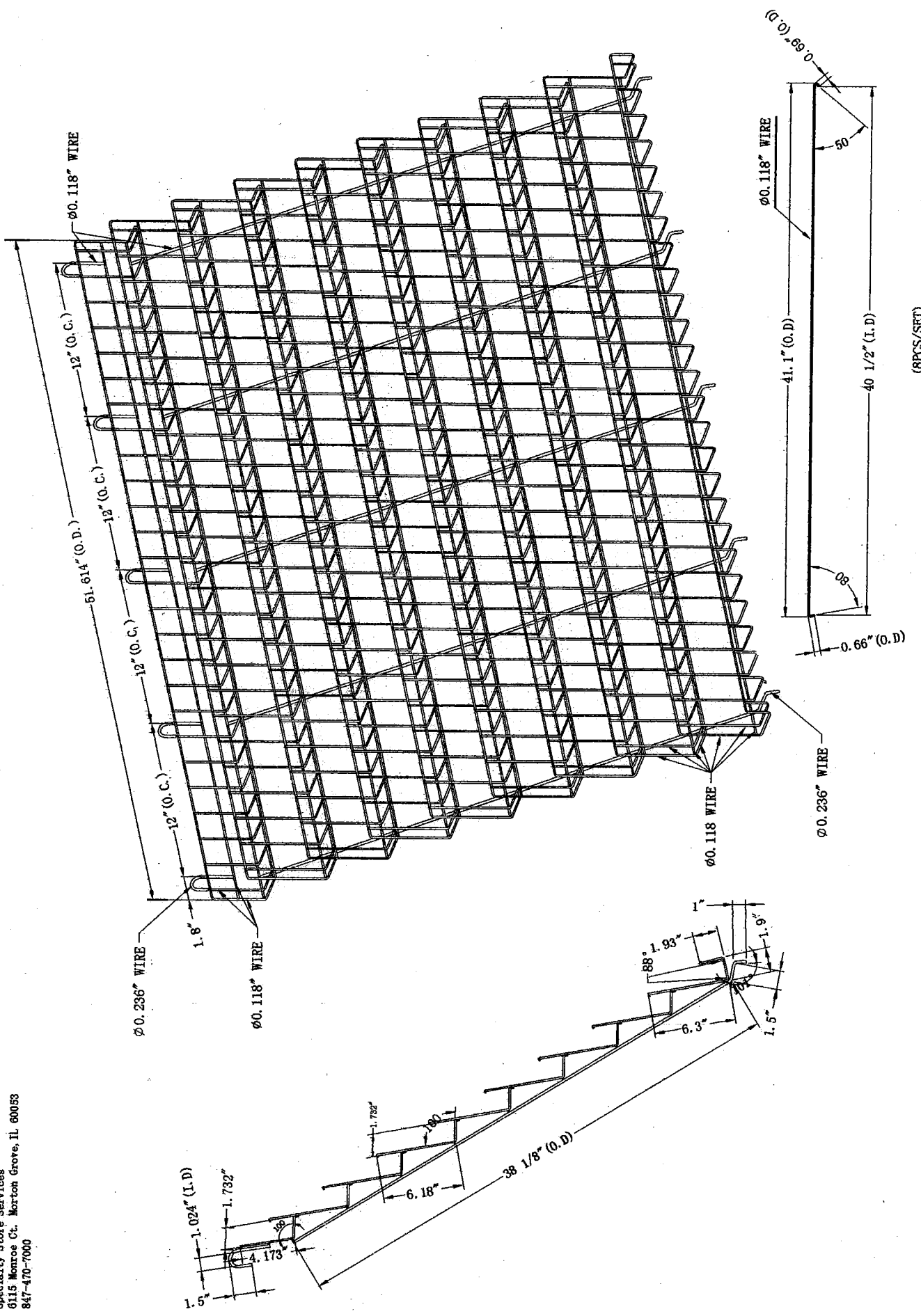
Specialty Store Services
6115 Monroe Ct. Morton Grove, IL 60053
847-470-7060

ITEM#2398

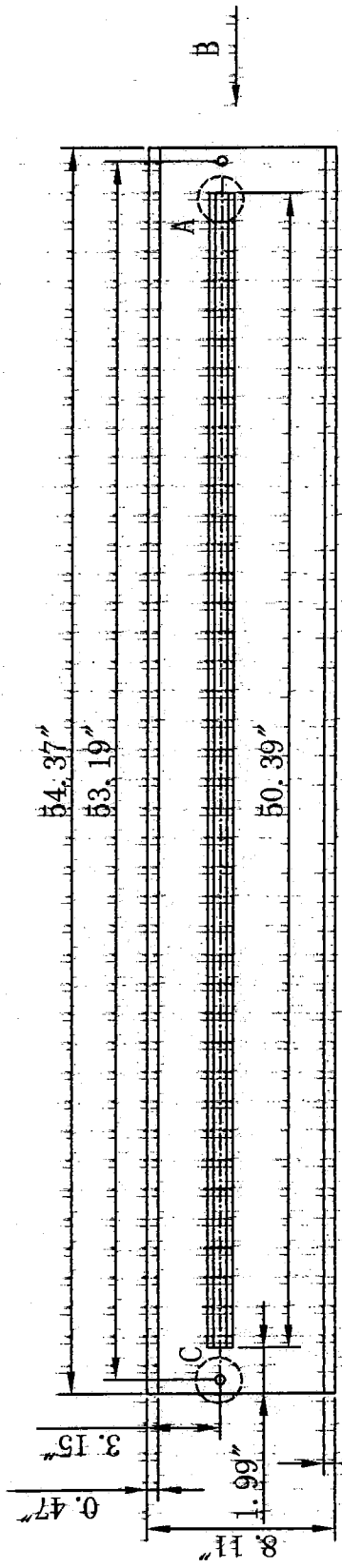


ITEM#2398B

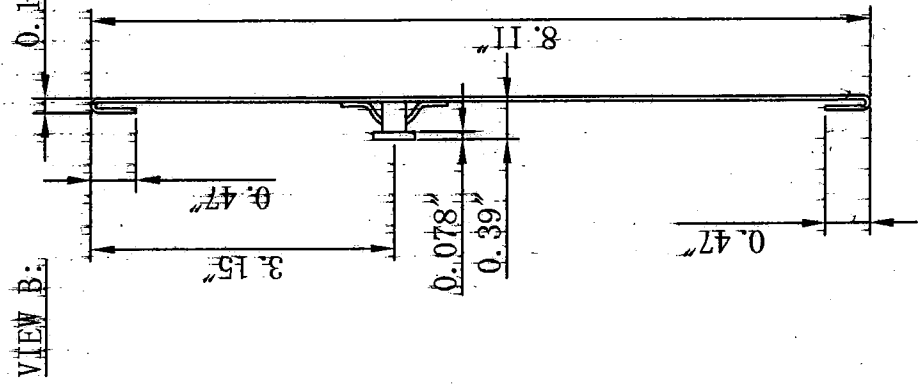
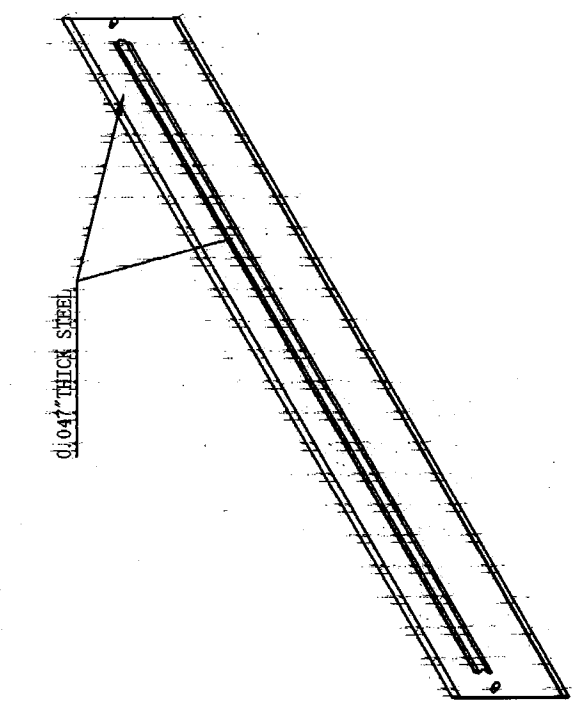
Specialty Store Services
6115 Monroe Ct. Morton Grove, IL 60053
847-470-7000



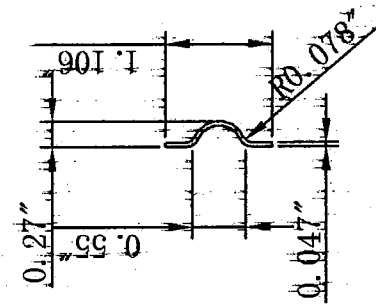
(8PCS/SET)



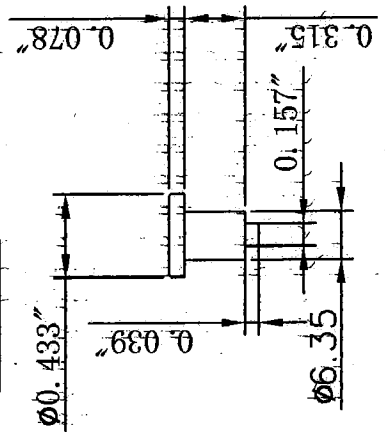
VIEW B:



DETAIL A:



DETAIL C:

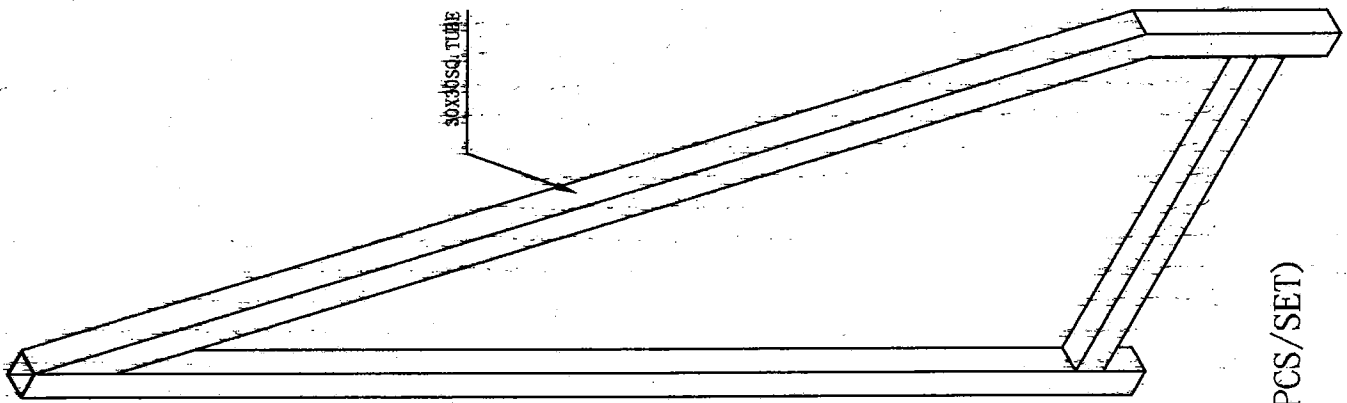
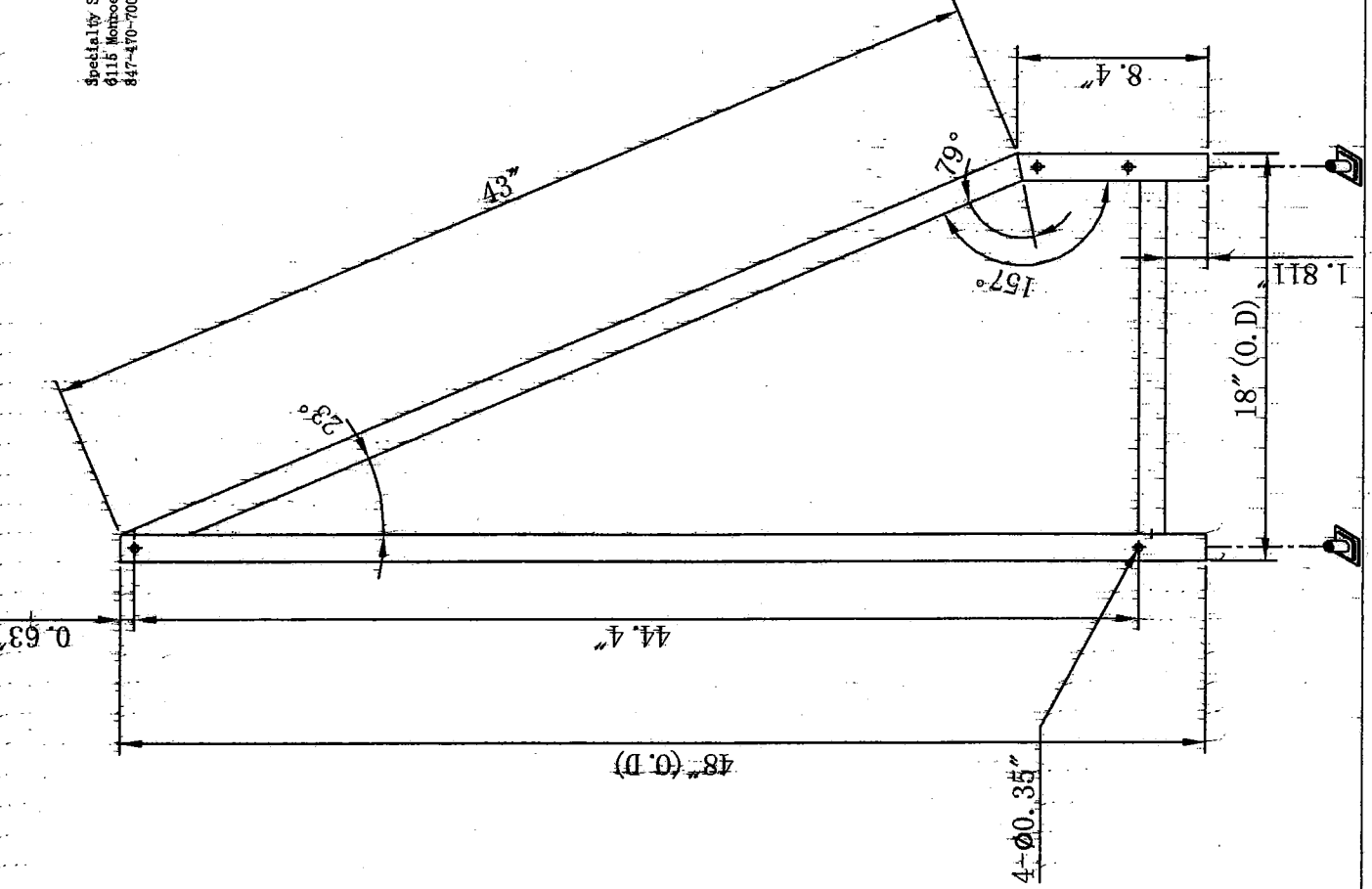


ITEM#2398A

Specialty Store Services
 8115 Monroe Ct. Morton Grove, IL 60083
 847-470-7000

ITEM#2398A

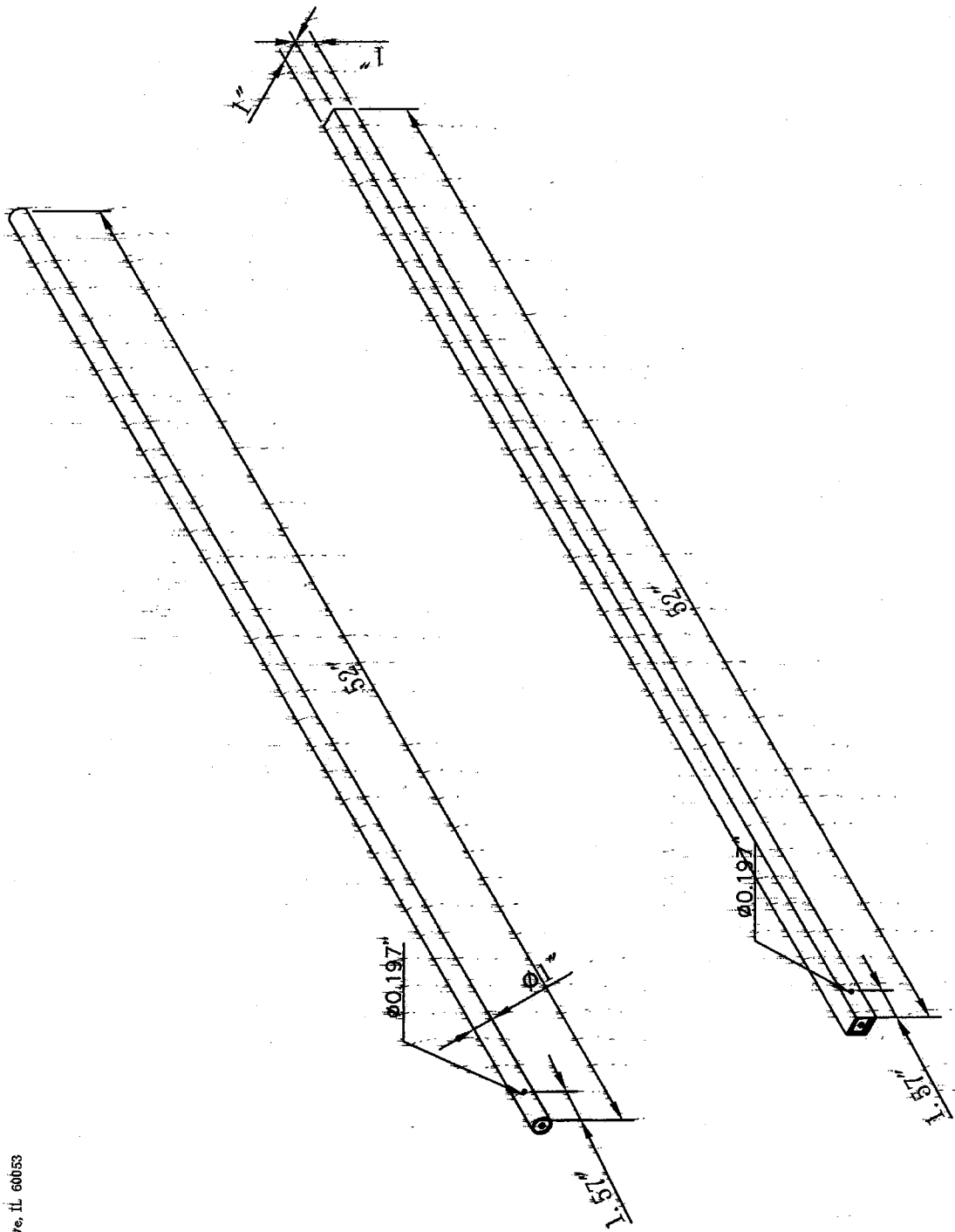
Specialty Store Services
4111 Hobbes Ct., Morton Grove, IL 60053
847-470-7000



(2PCS/SET)

ITEM#2398A

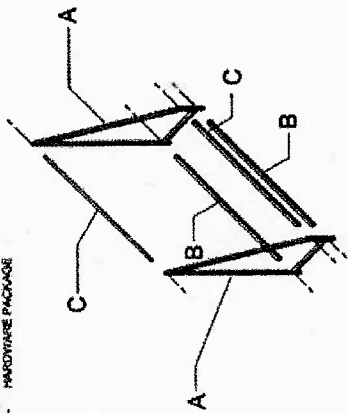
Specialty Stairs Services
8115 Montrose Ct. Morton Grove, IL 60053
847-470-7000



INSTRUCTIONS FOR DVD-CD IMPACT DISPLAY

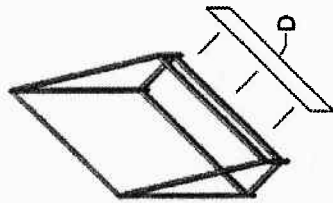
PARTS LIST:

- 2-A1 END FRAMES
- 2-B1 SQUARE TUBE SUPPORT
- 2-C1 SQUARE TUBE SUPPORT
- 1-D1 DECOR PANEL
- 1-E1 NINE-BAR SLIDES
- 1- HARDWARE PACKAGE

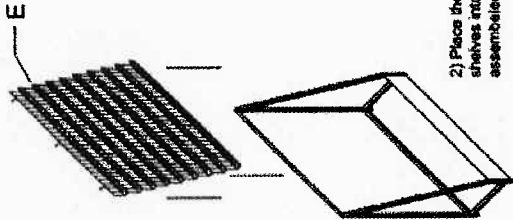


1) First, attach end panels to support bars as shown in the diagram above using screws.

NOTE: Just lightly tighten screws until all are in place, then fully tighten without over-tightening the screws



2) Connect "D" Decor panel to the front of the unit with the attached mounting clips.



2) Place the nine-bar slides into the assembled frame.

SPECIALTY STORE SERVICES
1-800-999-0771
Box S, 11-E-03

Print

Email

NEW