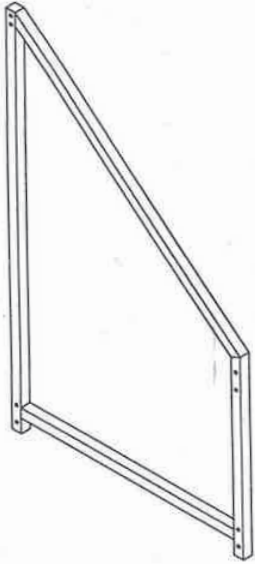


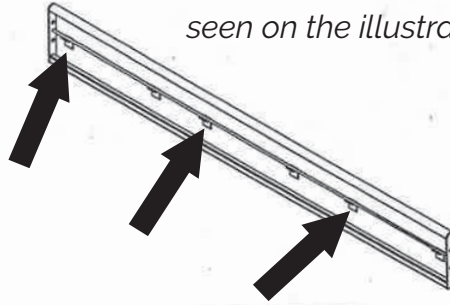
2397ADD INSTRUCTIONS

(1) 1pcs



(4) 1pcs

Make sure part 4 is installed with the tabs towards the bottom (as seen on the illustration).



(5) 7pcs



(6) 7pcs



(7) 2pcs



(8) 1pcs



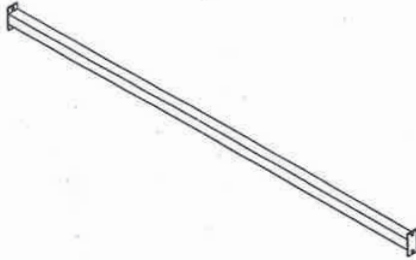
(9) 1pcs



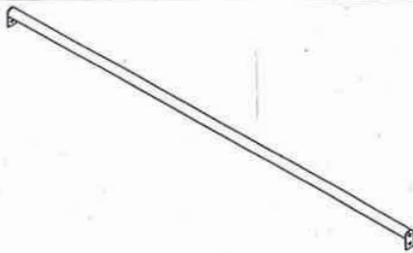
(10) 1pcs



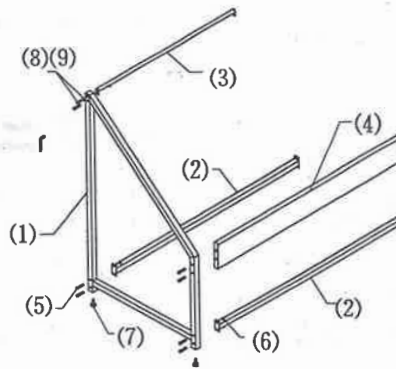
(2) 2pcs



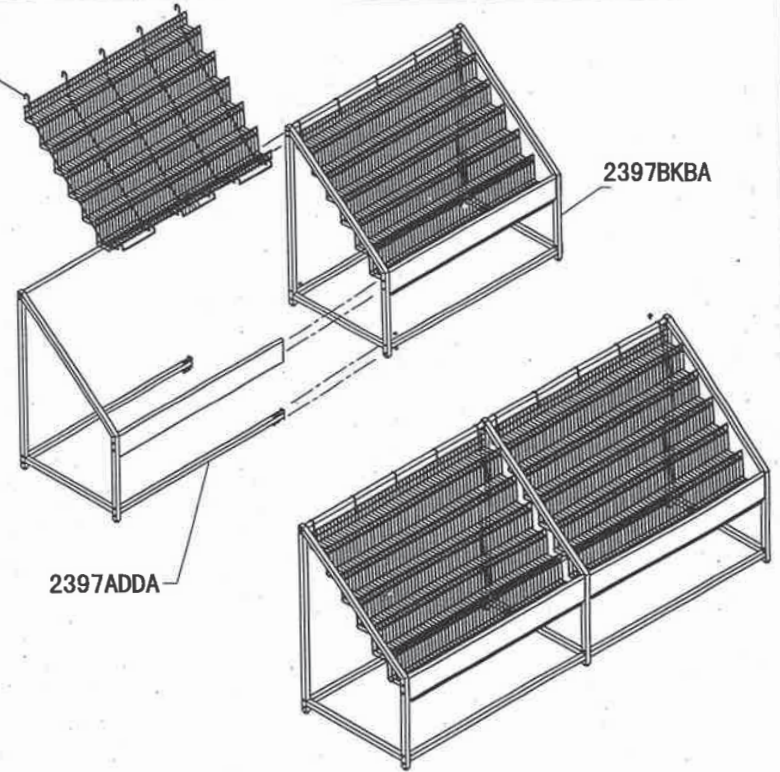
(3) 1pcs



2397ADDA



2397BKBB



2397BKBA

2397ADDA