

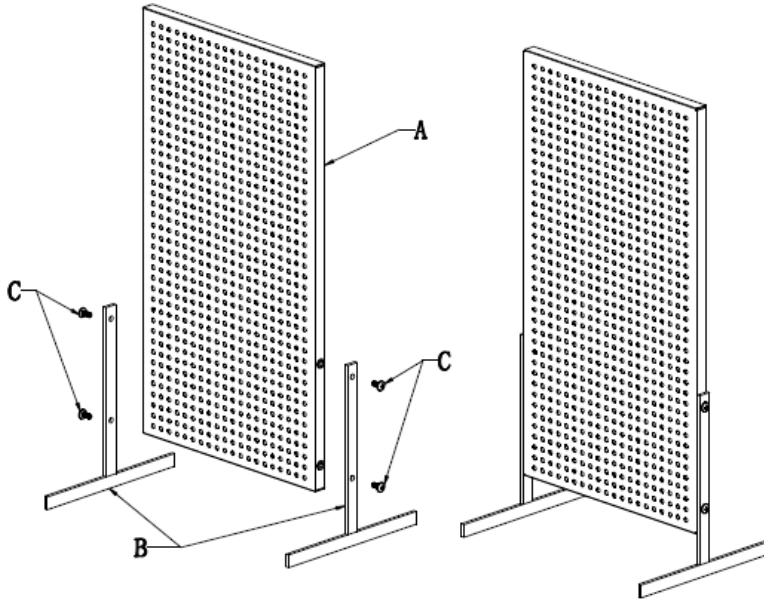


SPECIALTY STORE SERVICES

454 Jarvis Ave. Des Plaines, IL 60018
PH: (800) 999-0771 | FX: (888) 368-8001
www.specialtystoreservices.com

ASSEMBLY INSTRUCTIONS

#2342 PEGBOARD COUNTER



PARTS LIST

A- Pegboard Frame	1pcs
B- Base feet	2pc
C- Screw	4pcs

1. Attach two Base feet (B) to Pegboard Frame (A) with 4 Screws(C)

NEED MORE HELP? CALL 800-999-0771