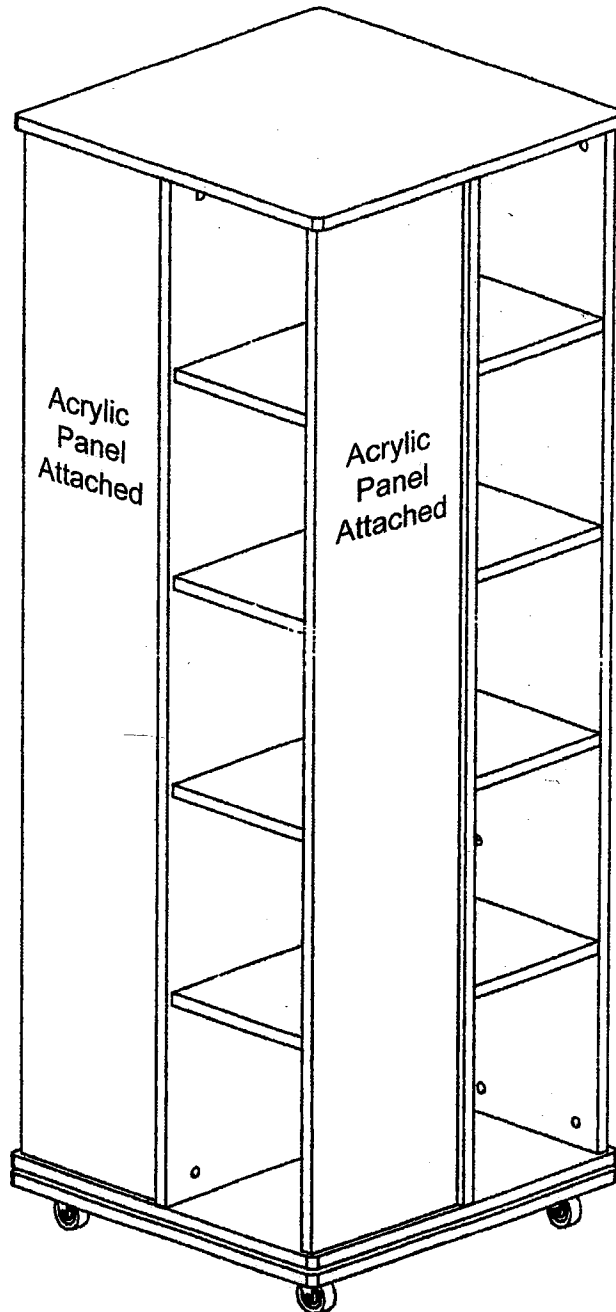


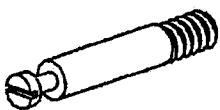
# ASSEMBLY INSTRUCTION

## T-SHIRT DISPLAYER



Tools Required:  
Philips Screwdriver

Hardware List:



x36



x36



x64



x2



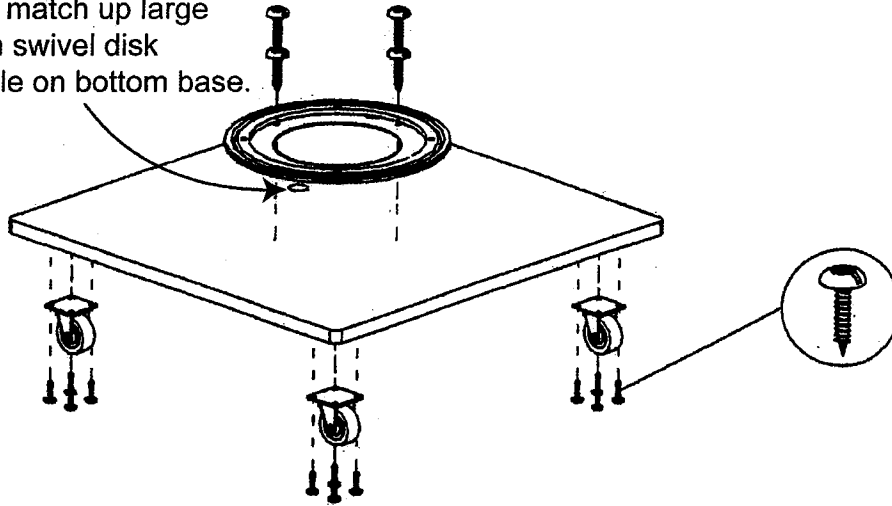
x2



x24

(1)

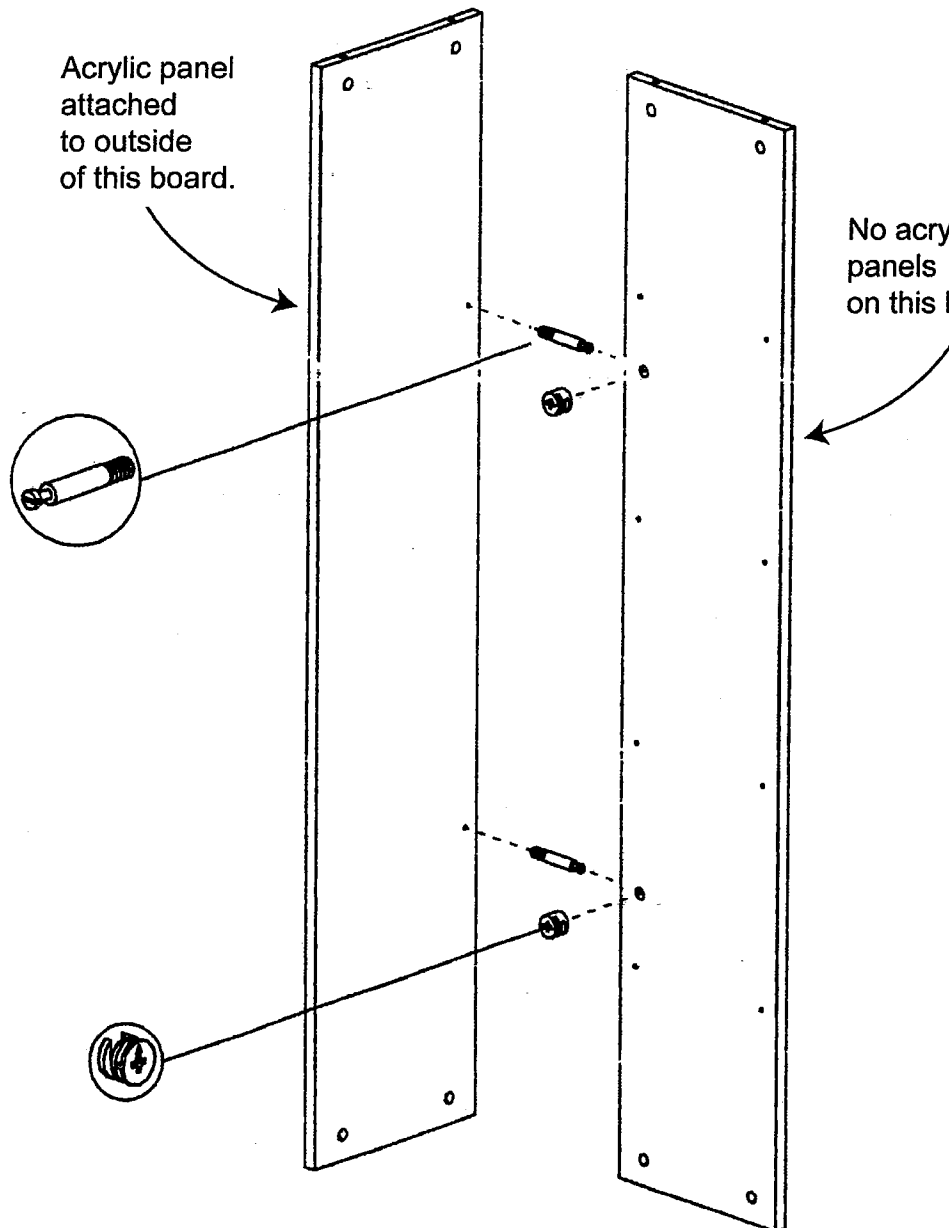
**IMPORTANT:** Make sure to match up large hole on swivel disk with hole on bottom base.



(2)

Acrylic panel attached to outside of this board.

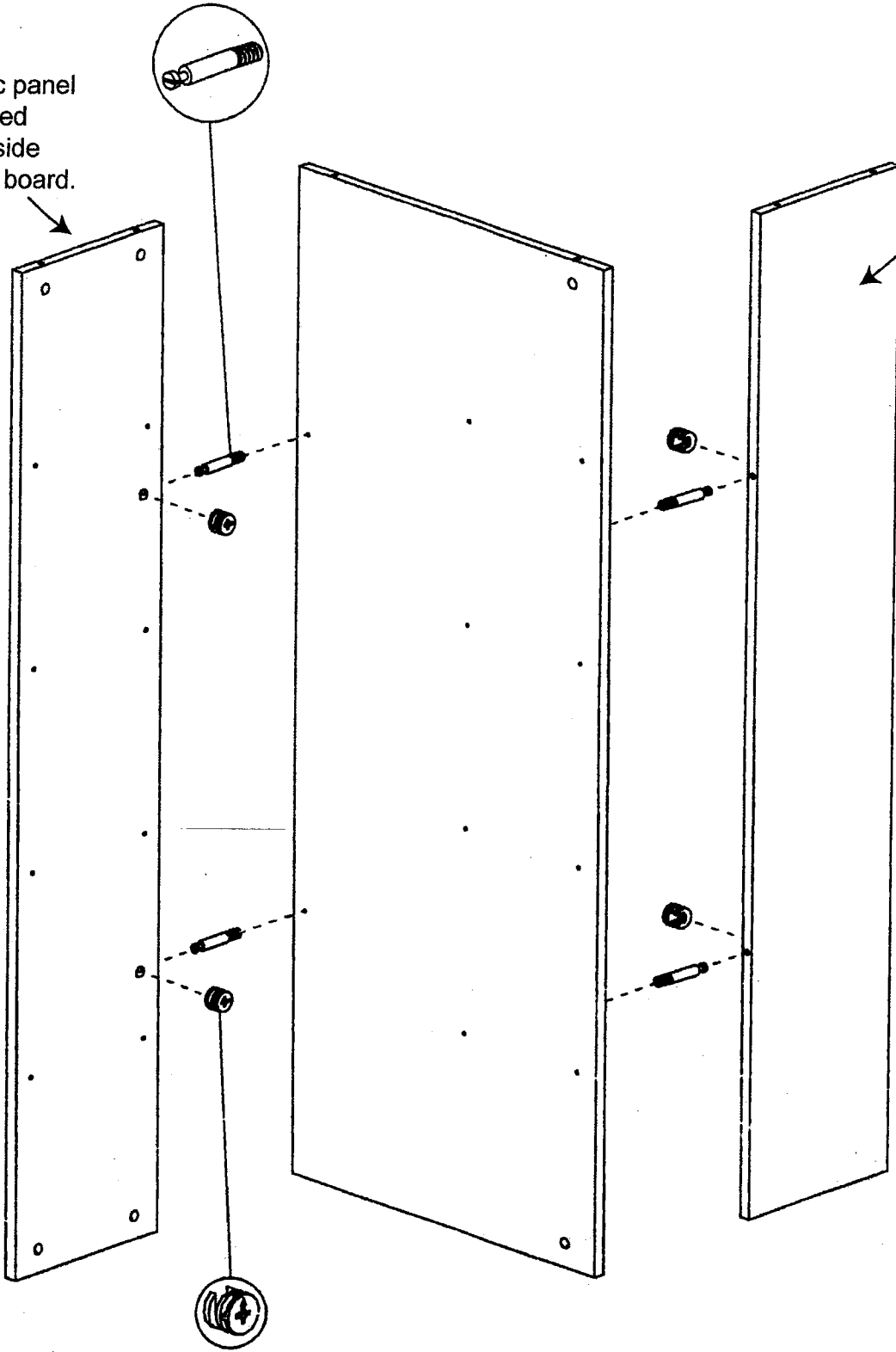
No acrylic panels on this board.



<3>

Acrylic panel  
attached  
to outside  
of this board.

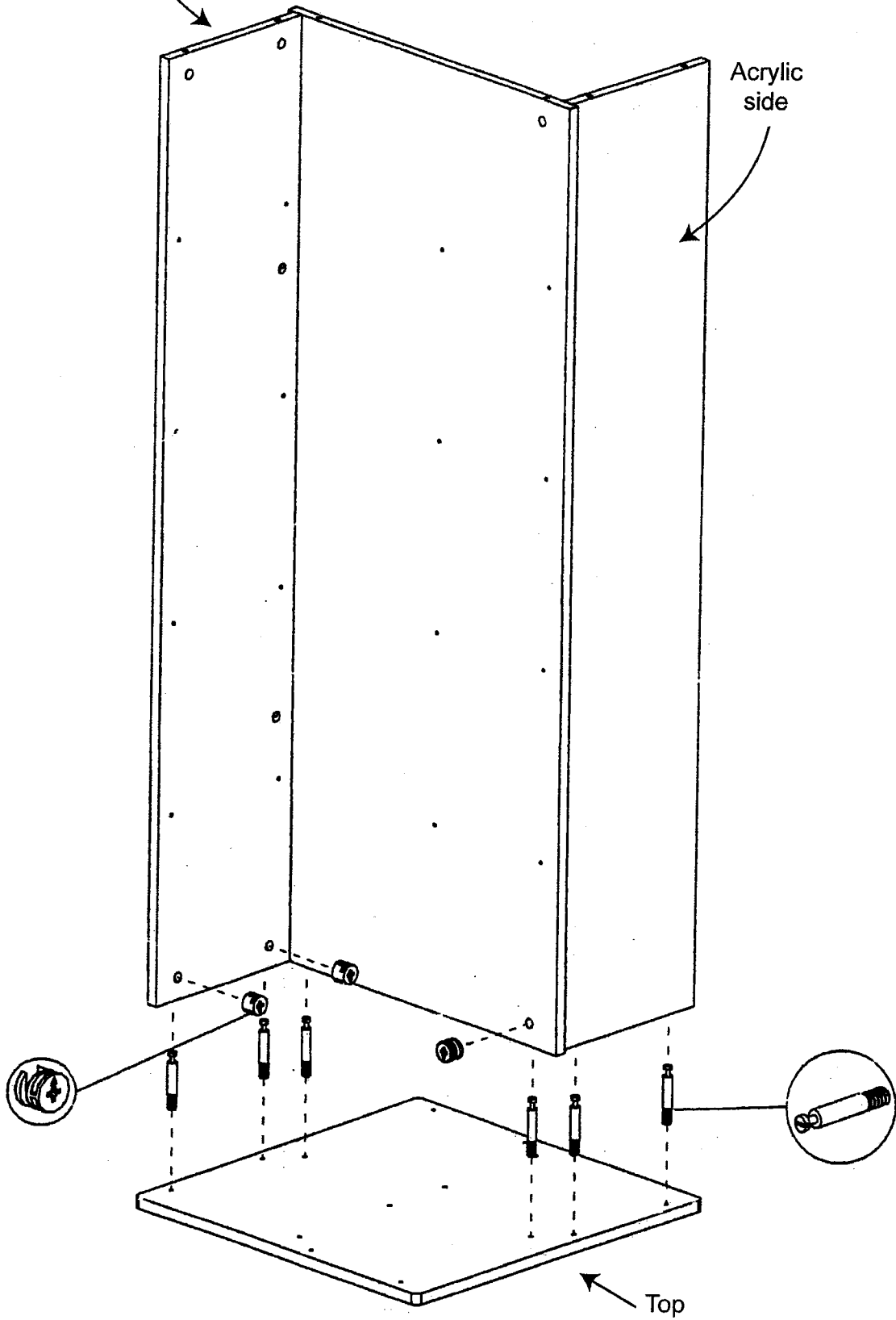
Acrylic  
side



( 4 )

Acrylic panel attached  
to outside of this board.

Acrylic  
side

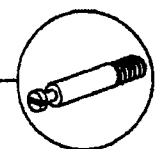


(5)

Add both sections.

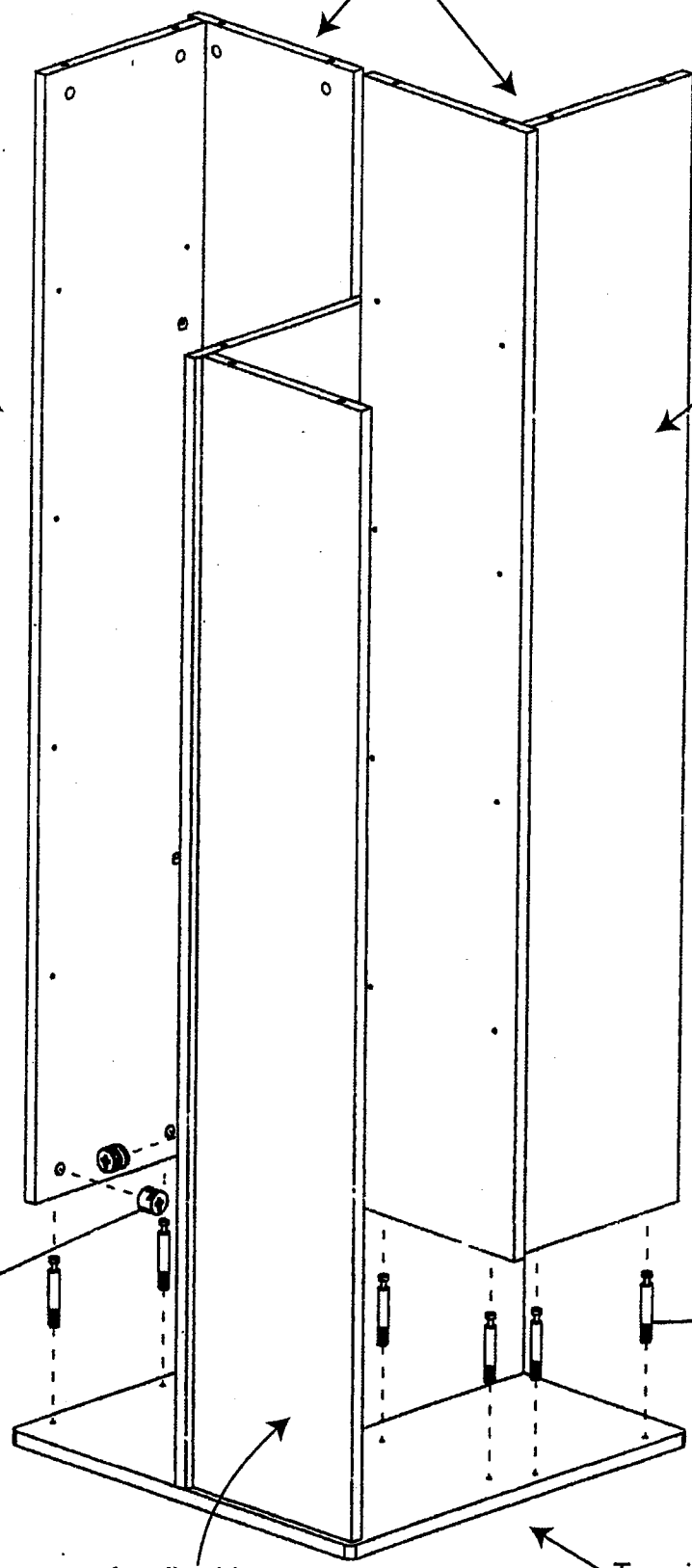
Acrylic panel attached to outside of this board.

Acrylic side



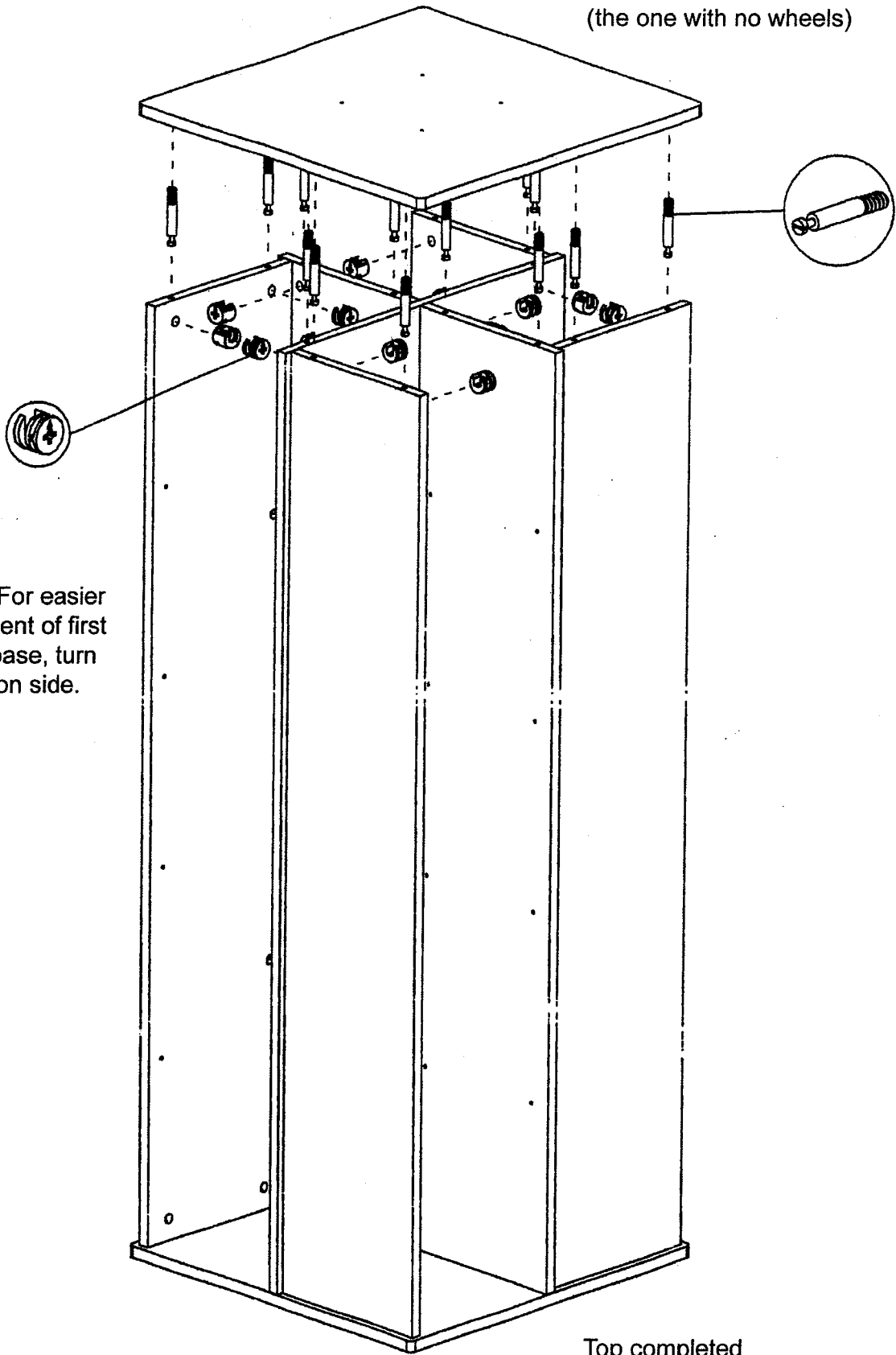
Acrylic side

Top piece



(6)

Bottom Panel  
(the one with no wheels)



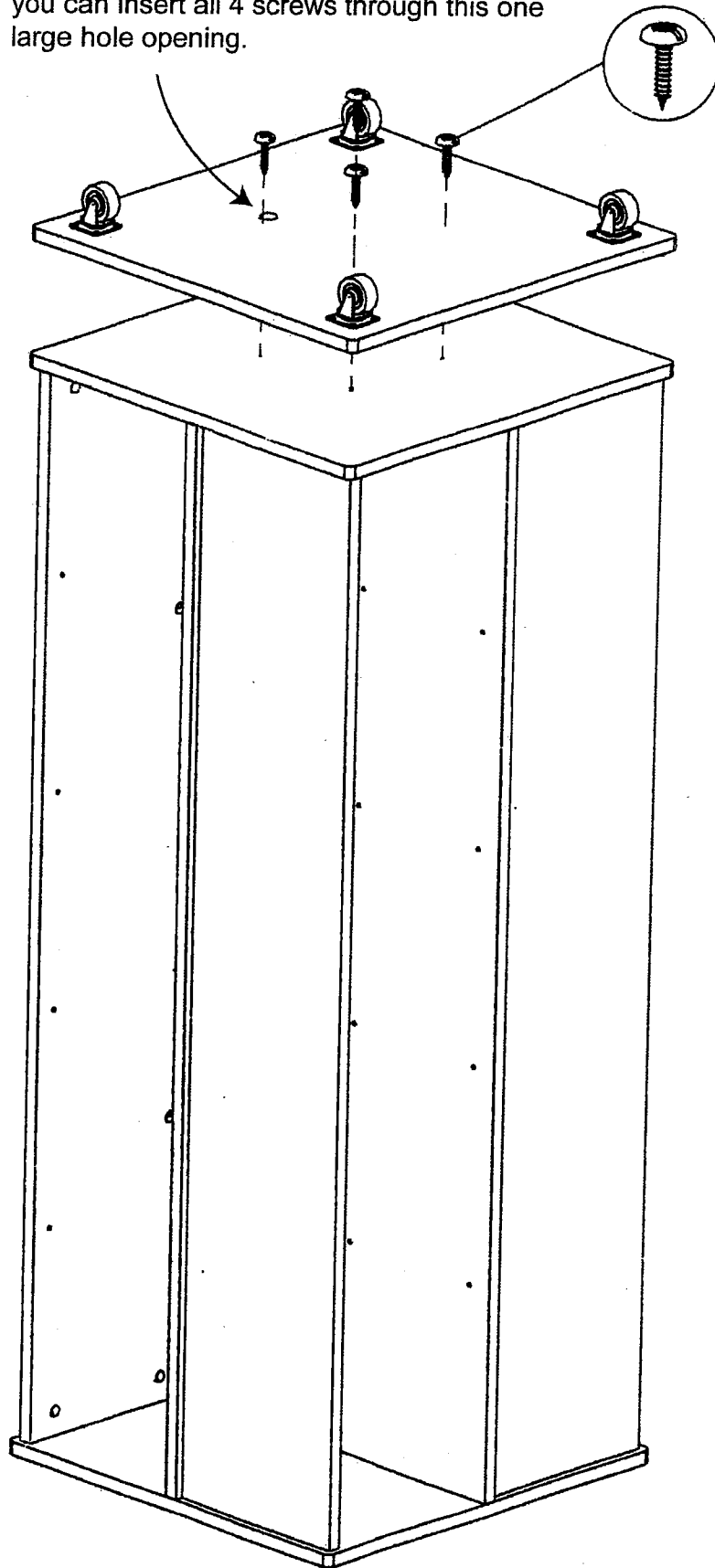
**NOTE:** For easier attachment of first part of base, turn display on side.

Top completed

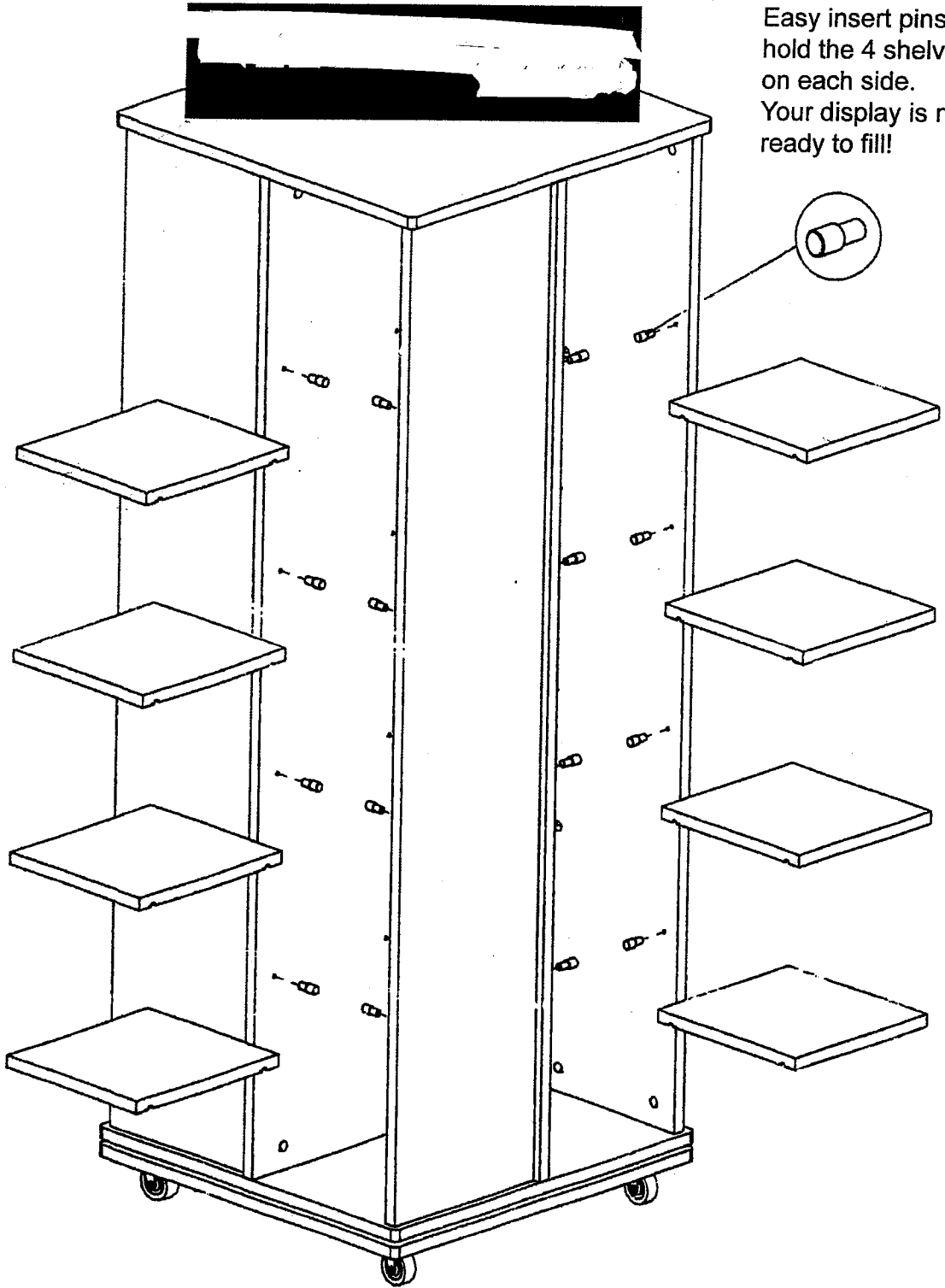
(7)

Bottom base will need room to swivel so that you can insert all 4 screws through this one large hole opening.

**NOTE:**  
For easier attachment of bottom base, keep display on side and use box to lift up end.



Final 4 screws. Use the one hole opening to attach the bottom base with swivel dish to the second base board.



Easy insert pins hold the 4 shelves on each side. Your display is now ready to fill!

