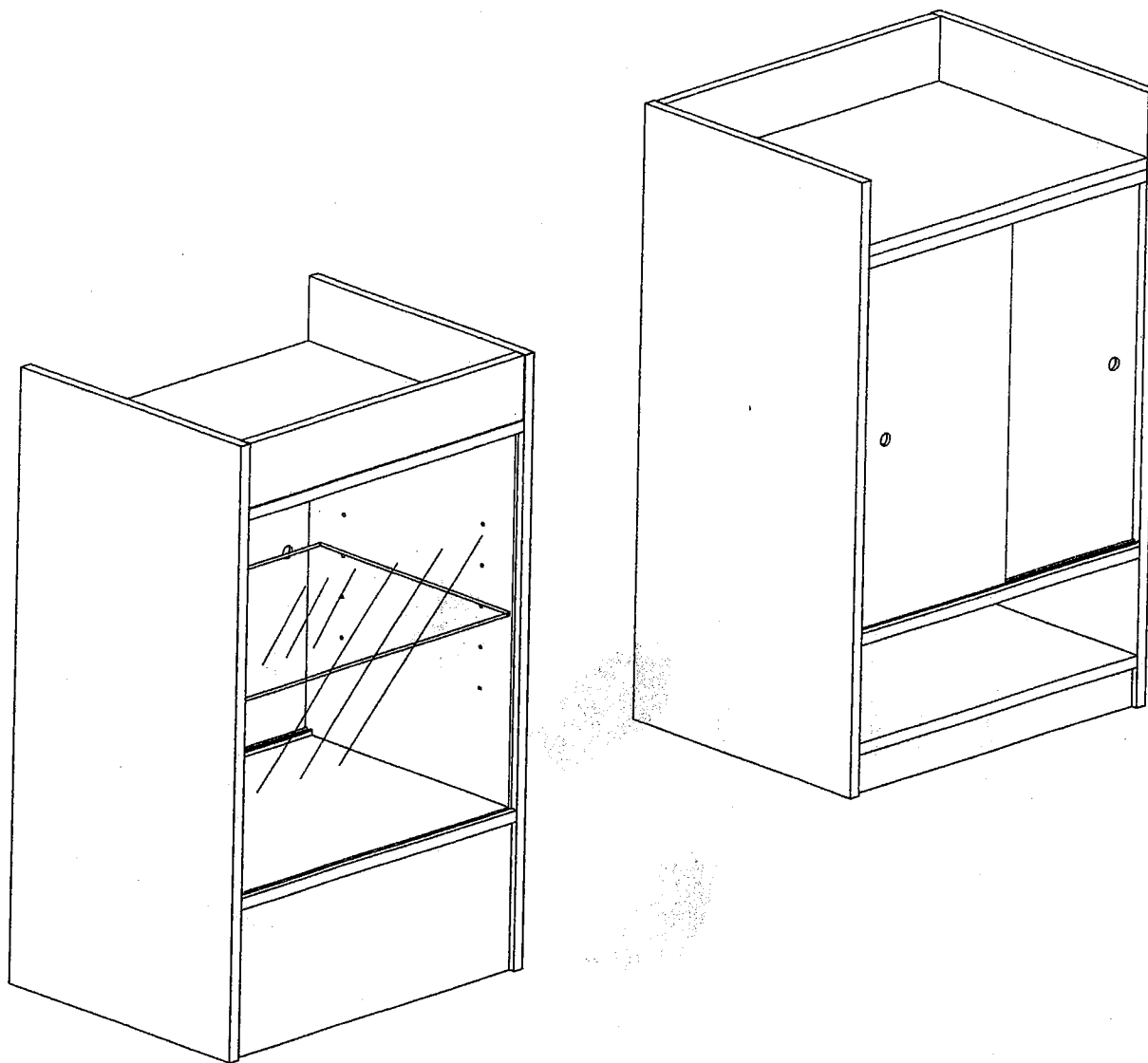
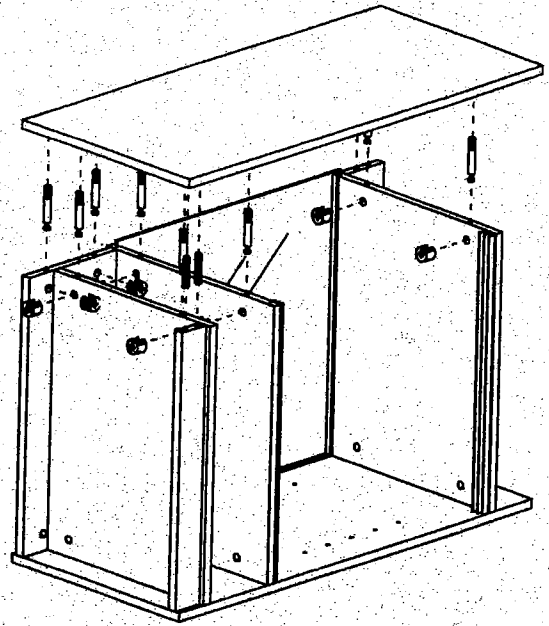
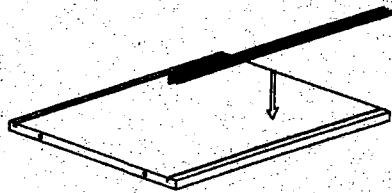
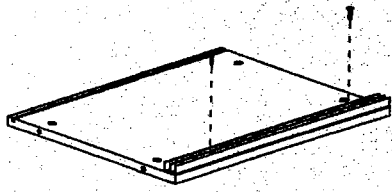


ASSEMBLY INSTRUCTION

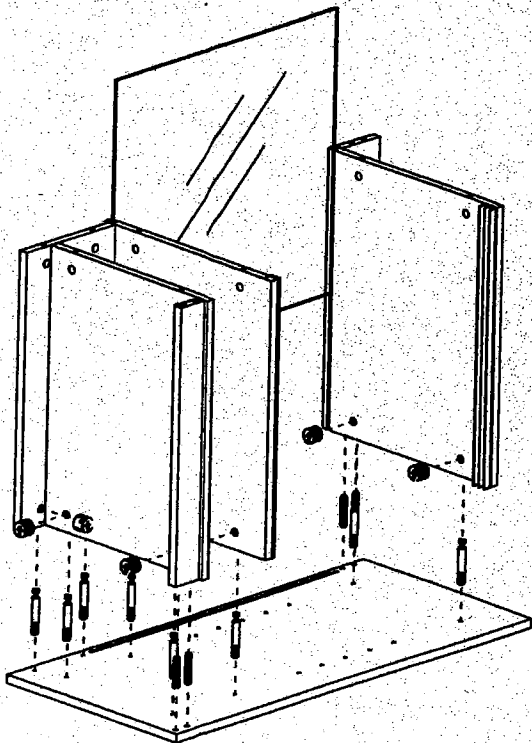
20025

CASH REGISTER STAND





(2)



(4)

