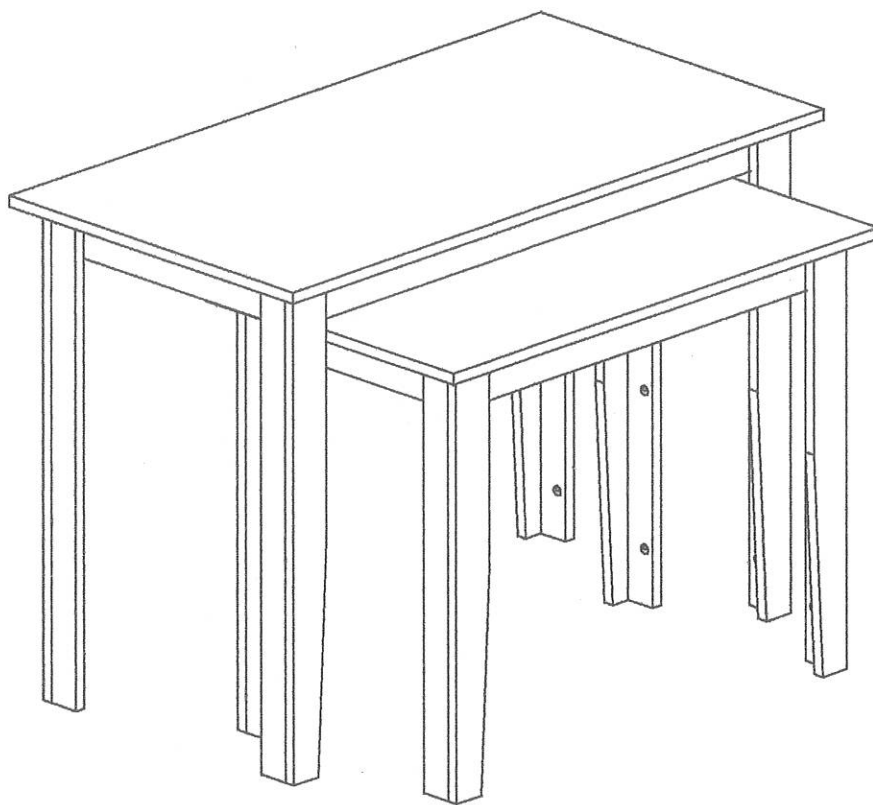


ASSEMBLY INSTRUCTION

2 NESTING TABLES

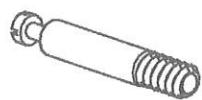


①



x40

②



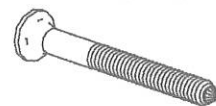
x40

③



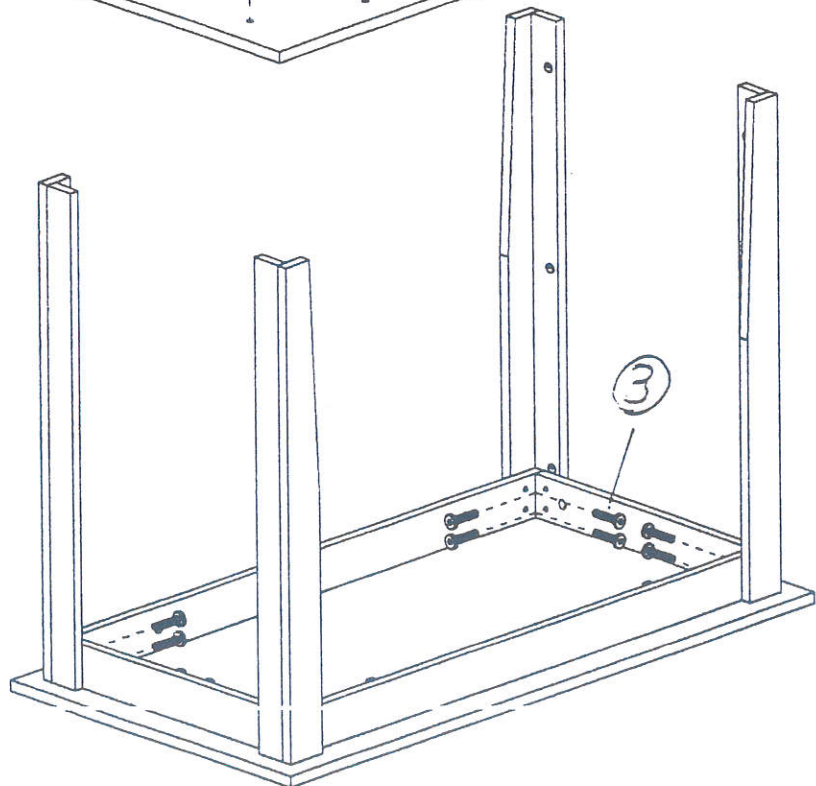
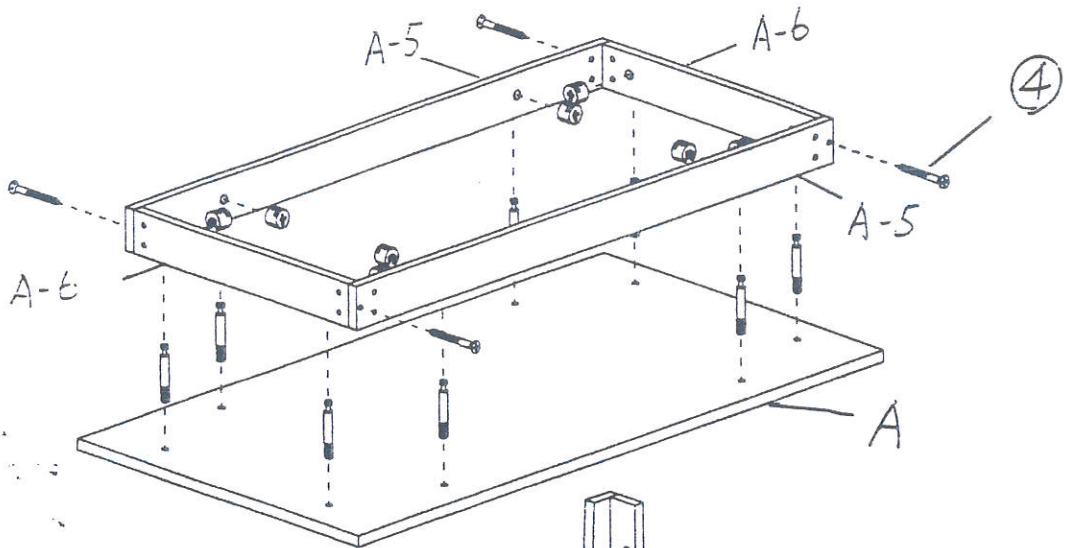
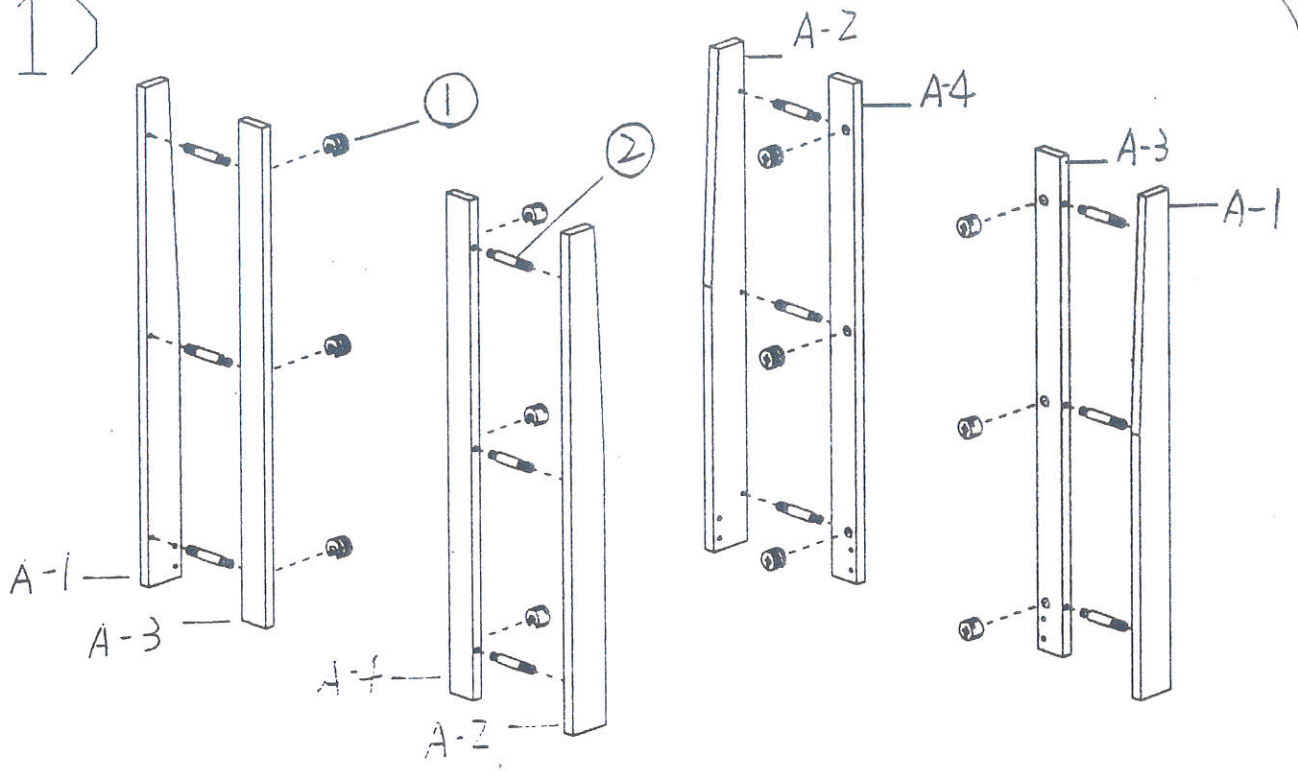
x32

④



x8

(1)



(2)

