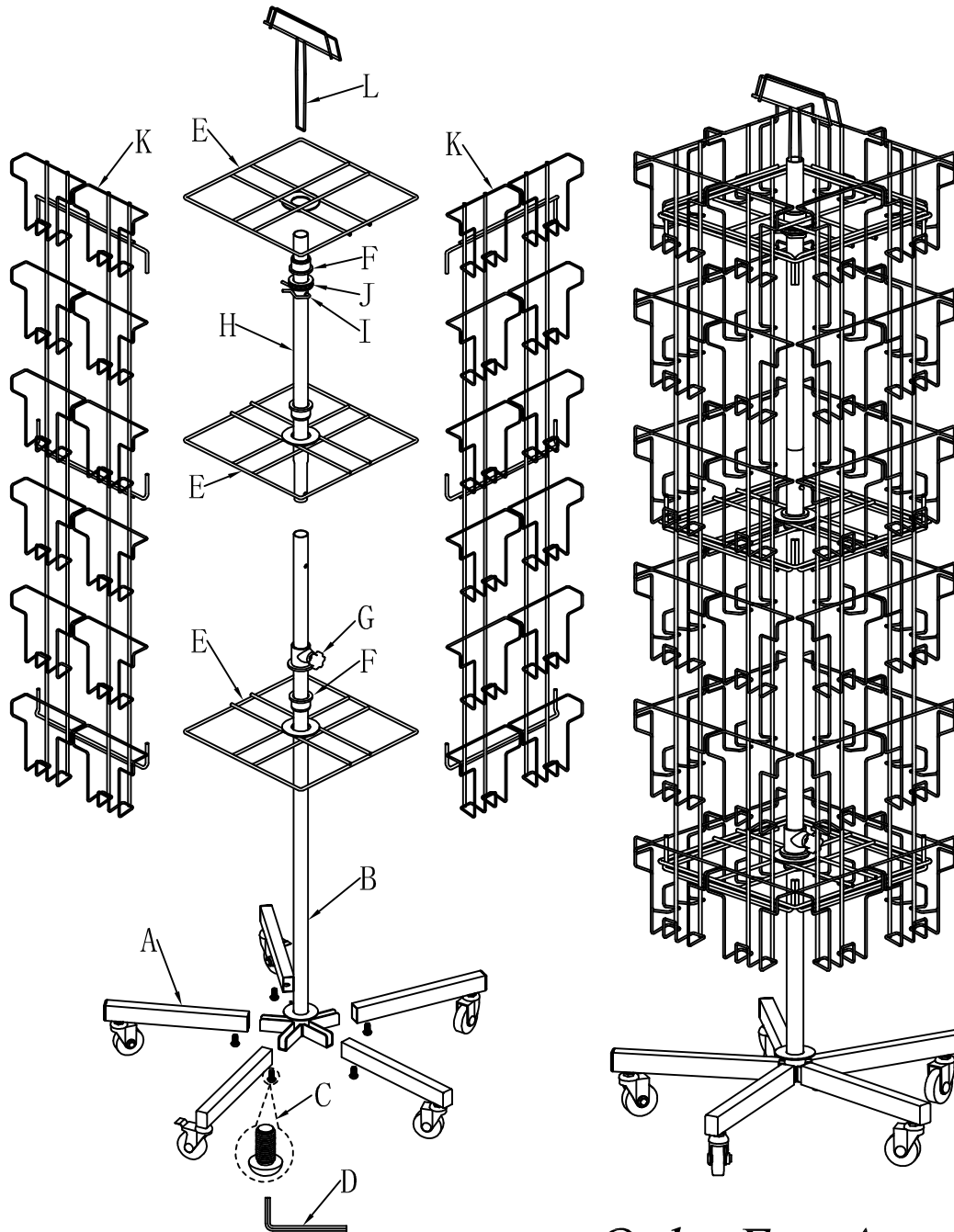


Assembly Instruction



1. Join the Foot with caster(A) onto the Lower Pole(B) with Bolt(C), tighten the Bolts by the Wrench(D) provided.
2. Slide one Square Frame(E)(side with washer up), one Bushing(F) (big side up), one Spinner Lock(G), a second Square Frame(E) (side with washer up), a second Bushing(big side up) down the Pole in turn.
3. Insert the tapered end of Upper Pole(H) into the Lower Pole, secure it with clip button.
4. Pass the Cotter pin(I) through the hole in the Upper Pole(H), slide one set of Bearing(J), one Bushing(F)(big side down), one Square Frame(E)(side with washer down) down the Pole in turn.
5. Hang the Pocket Panels(K) onto the top Support Frames one by one, slide the middle and lower Support Frames upper and make sure all the hooks are hooked onto the support Frames.
6. Fasten the Spinner Lock(G) on the Lower Support Frame(E) to prevent the Support Frame move up.
7. Insert the Sign Holder(L) into the top of the Upper Pole(H).

Part List:

A - Foot with Caster	(5sets)
B - Lower Pole	(1pc)
C - Bolt	(5pcs)
D - Wrench	(1pc)
E - Square Frame	(3pcs)
F - Bushing	(3pcs)
G - Spinner Lock	(1pc)
H - Upper Pole	(1pc)
I - Cotter Pin	(1pc)
J - Bearing	(1set)
K - Pocket Panel	(4pcs)
L - Sign Holder	(1pc)

Only For Assembly , Not As Drawing!