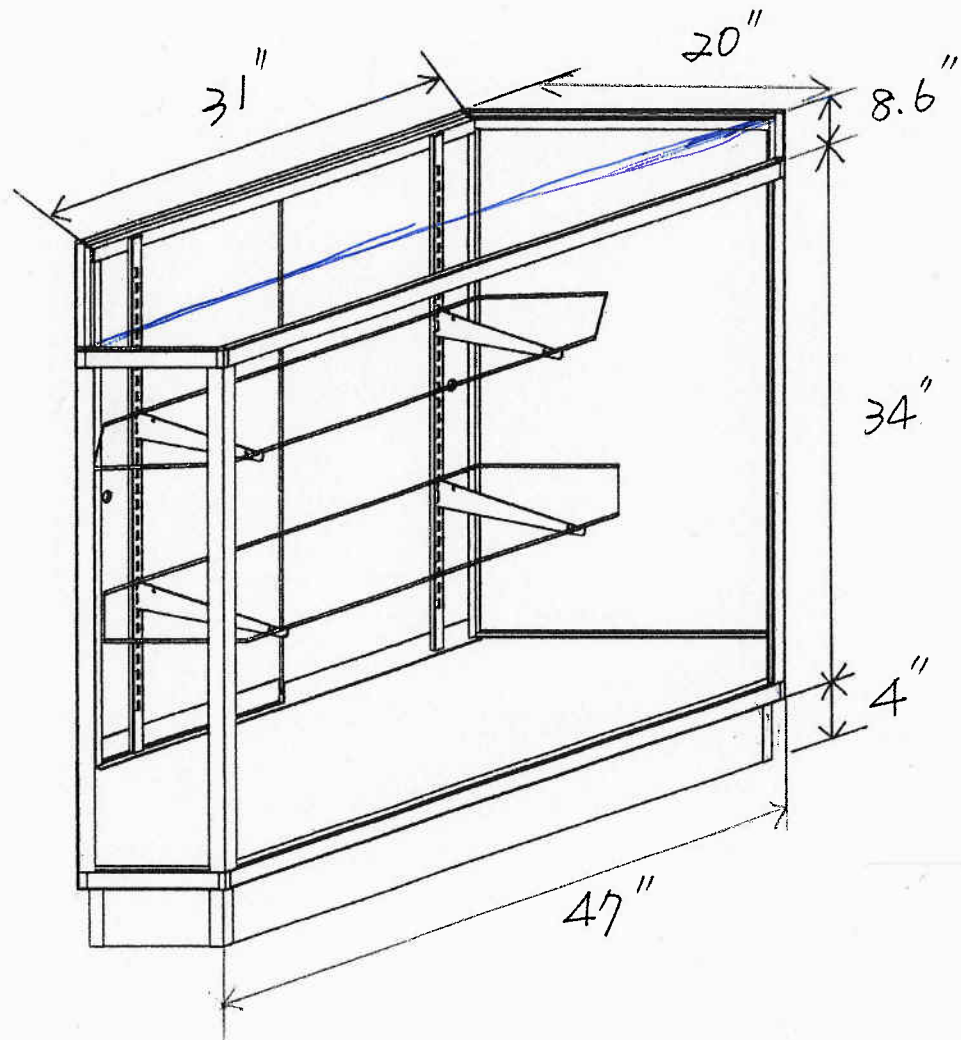


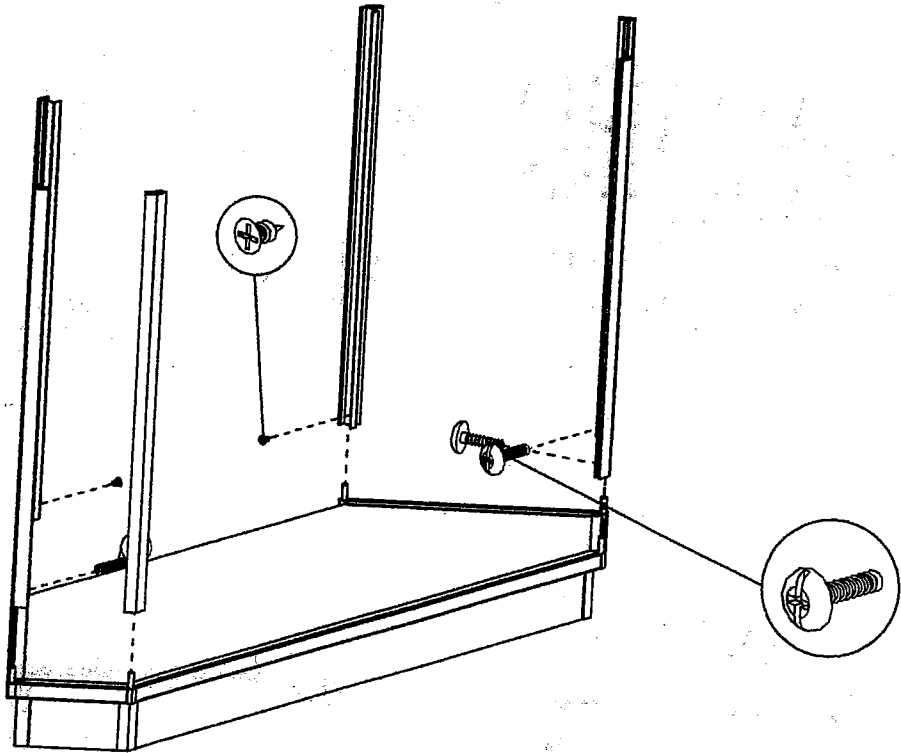
# ASSEMBLY INSTRUCTION

## ALUMINUM CORNER CASE

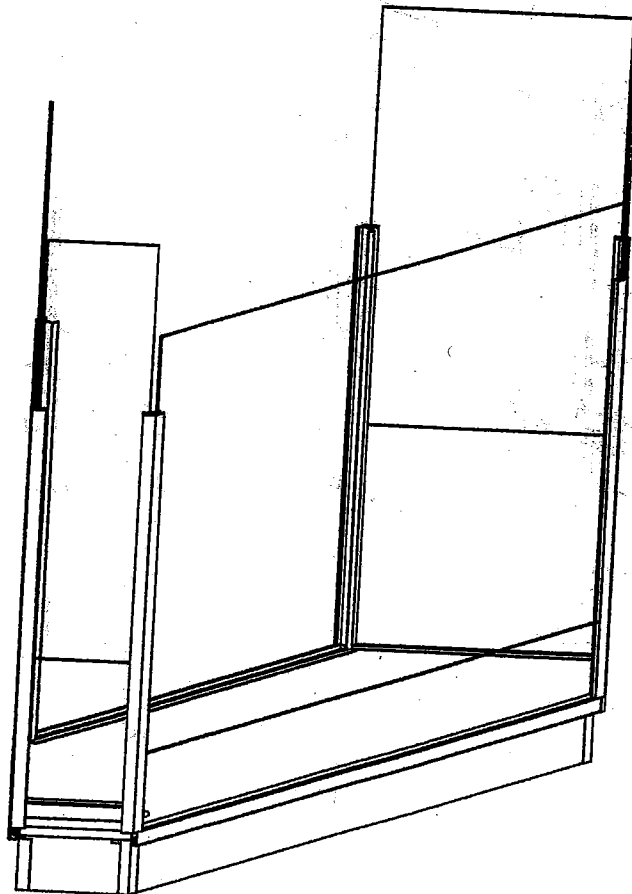


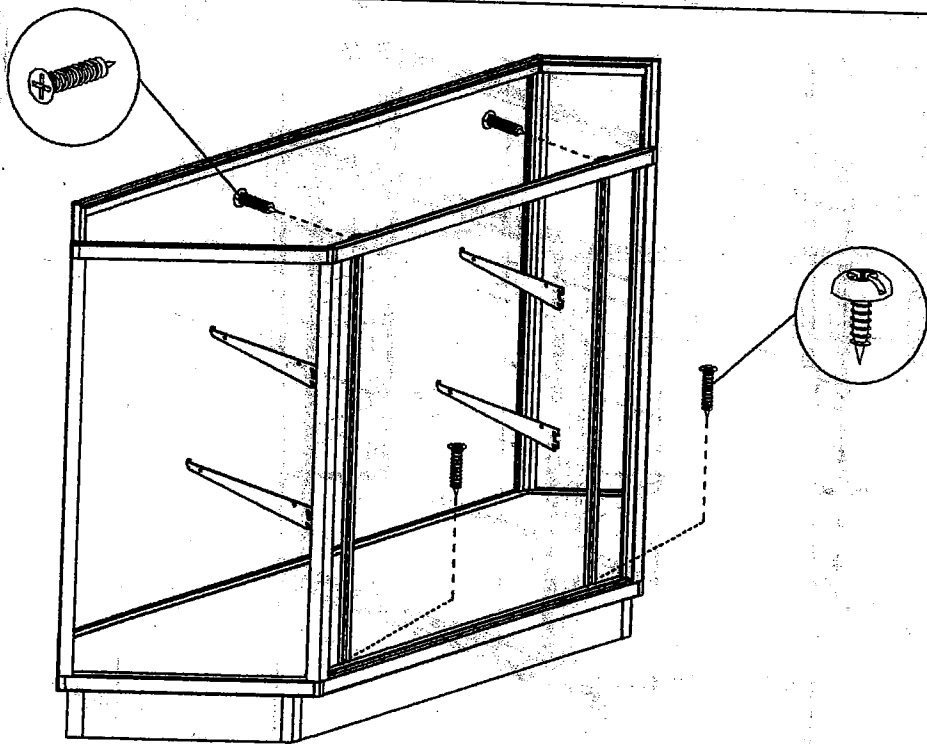
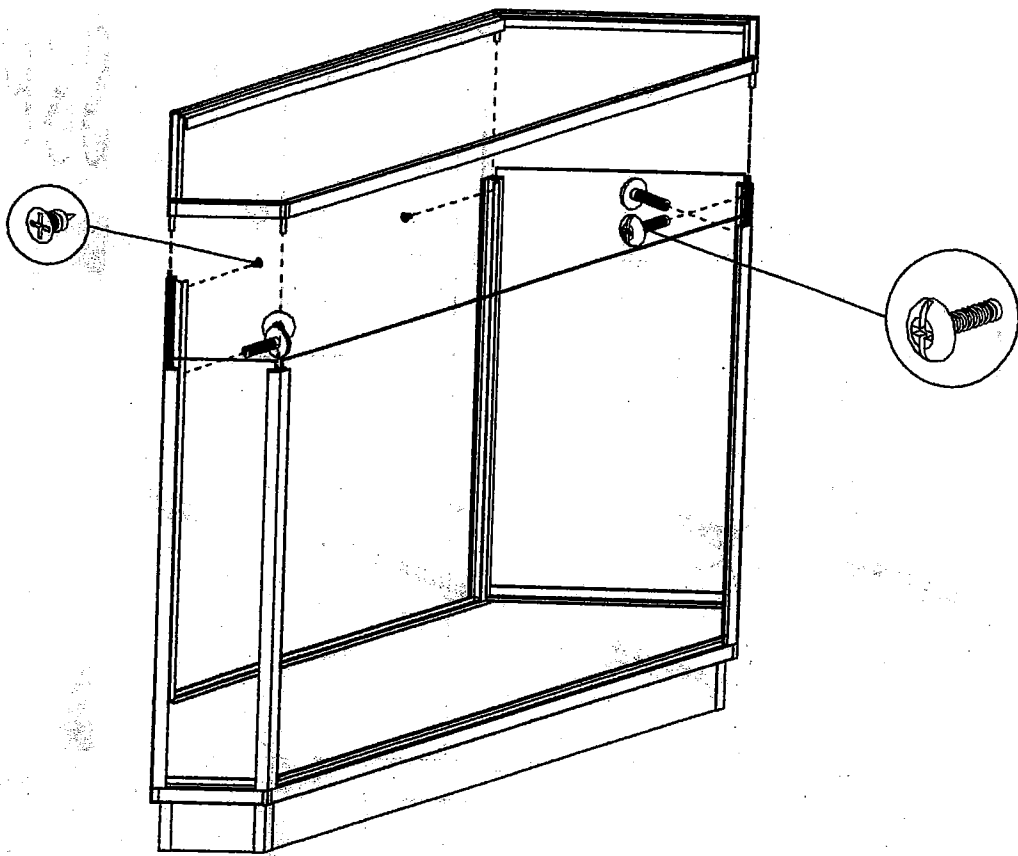
59.5" L x 20" W x 38" H

(1)

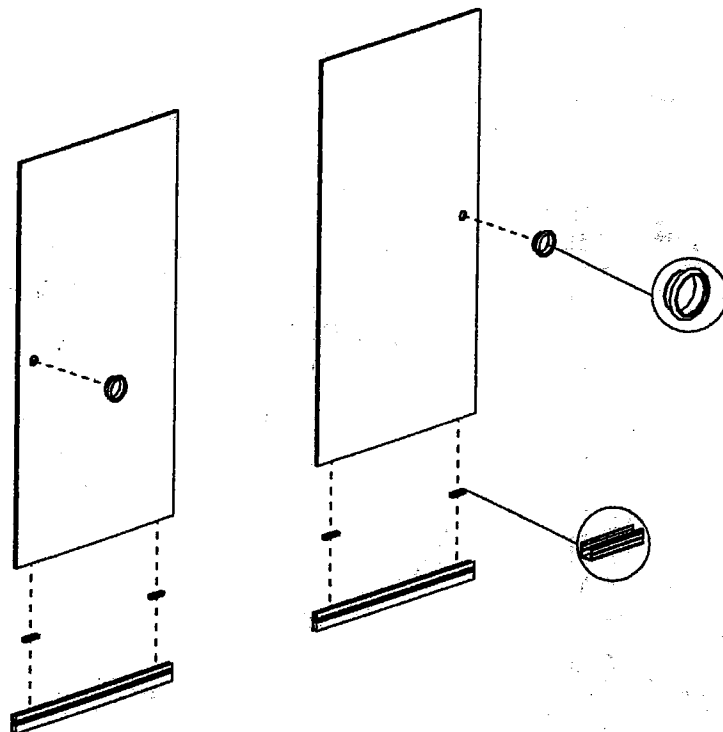


(2)





(5)



(6)

