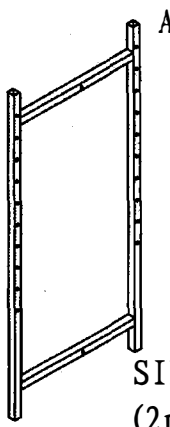
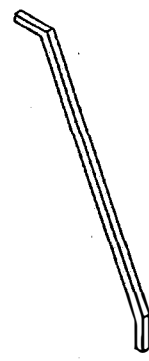
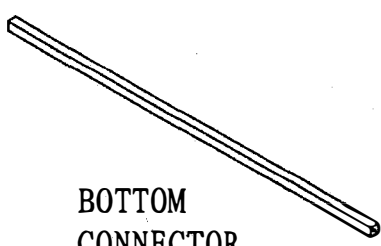

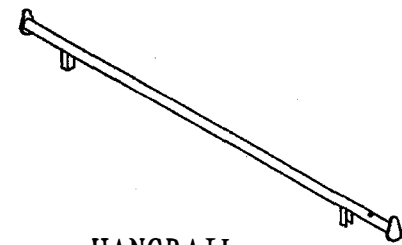
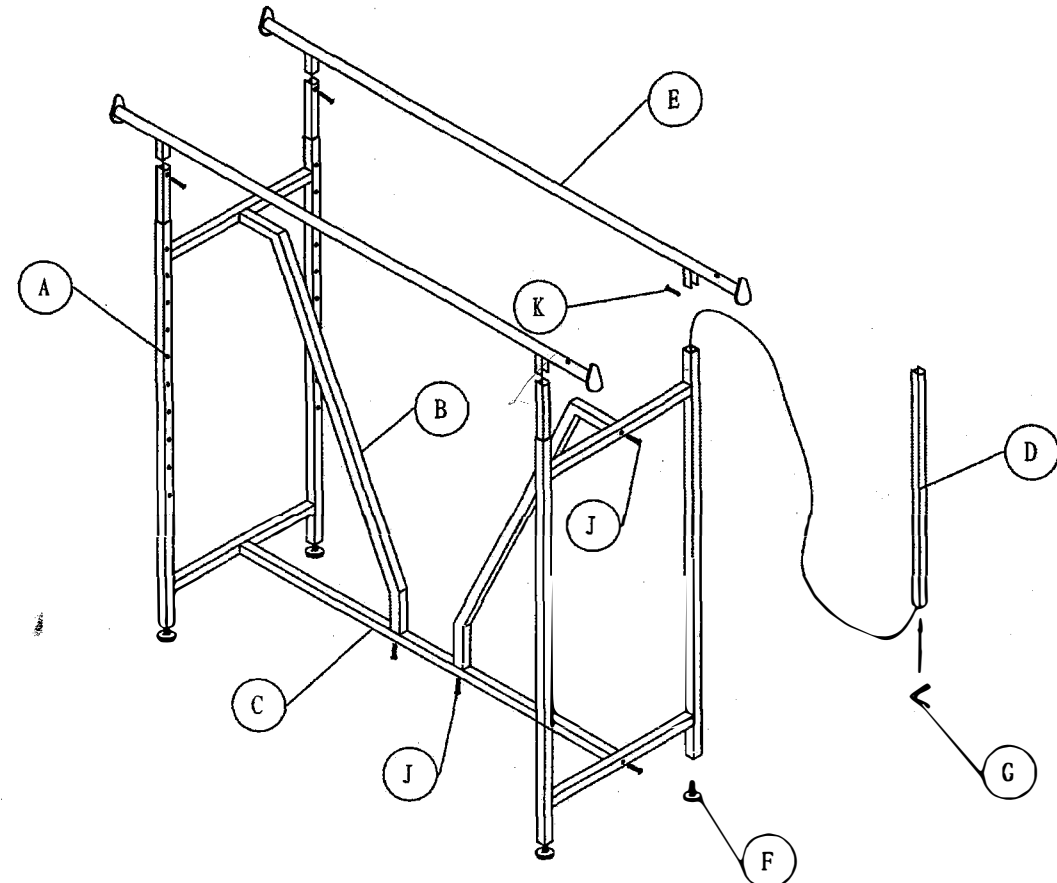
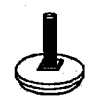





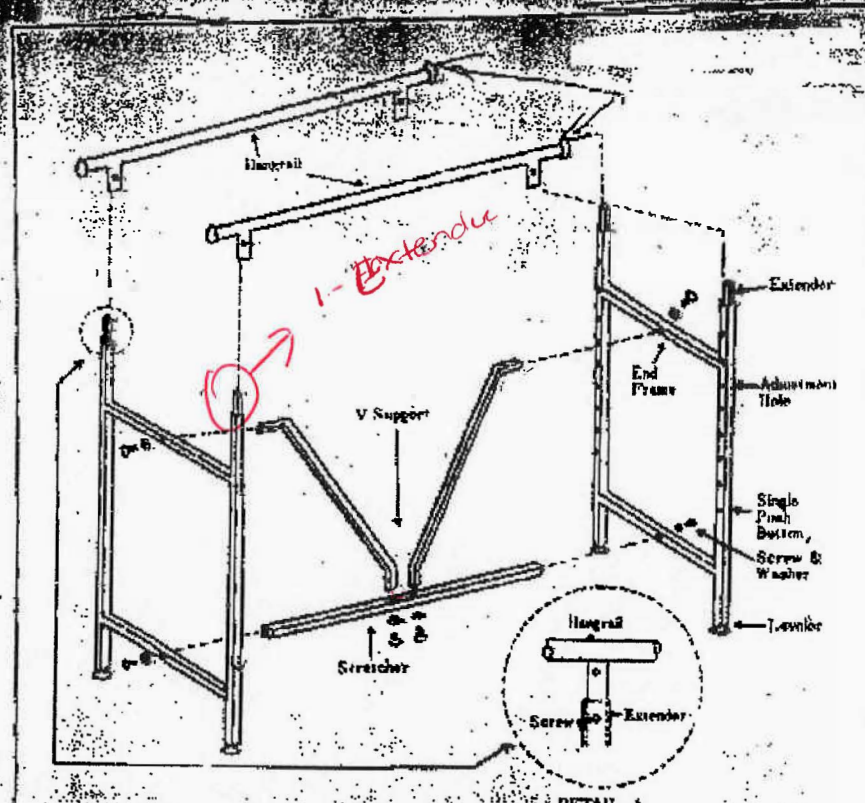


#2475

 <p>A SIDE FRAME (2pcs)</p>	 <p>B BRACE (2pcs)</p>	 <p>C BOTTOM CONNECTOR (1pcs)</p>	 <p>D ADJ TUBE (4pcs)</p>	 <p>E HANGRAIL (2pcs)</p>	
					<p>F $\phi\frac{3}{8}$"-16 LEVELER (4pcs)</p> 
					<p>G SPRING (4pcs)</p> 
					<p>H 6MM SPANNER (1pcs)</p> 
					<p>I 4MM SPANNER (1pcs)</p> 
					<p>J $\phi\frac{3}{8}$"-16X1$\frac{7}{8}$" HEX SCREW (6pcs)</p> 
					<p>K $\phi\frac{1}{4}$"-20X$\frac{1}{4}$" HEX SCREW (4pcs)</p> 



ASSEMBLY INSTRUCTIONS

NOTE: All hardware must be installed in the correct location as shown in the drawing. The hardware must be installed in the correct location as shown in the drawing. The hardware must be installed in the correct location as shown in the drawing.

NOTE: Single pinch bolt must be installed in the correct location as shown in the drawing.