

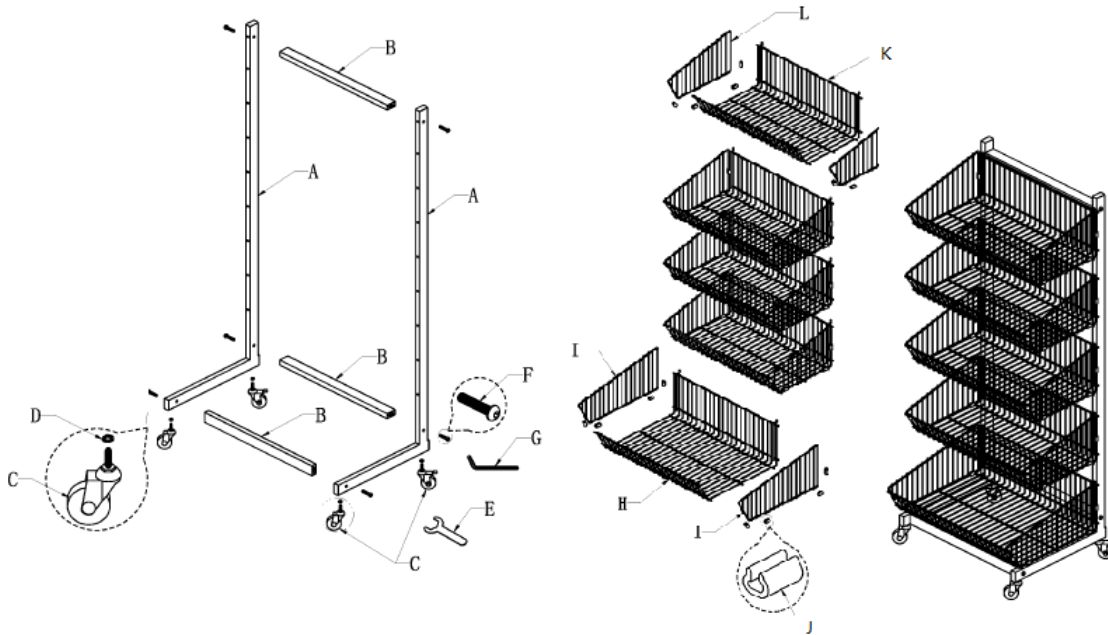


SPECIALTY STORE SERVICES

454 Jarvis Ave. Des Plaines, IL 60018
PH: (800) 999-0771 | FX: (888) 368-8001
www.specialtystoreservices.com

ASSEMBLY INSTRUCTIONS

#2361 5 Basket Impulse Display



PARTS LIST

- | | | | |
|-----------------------------------|---------------------------------|------------------|-----------------------------------|
| A) L-Leg 2pcs | B) Link Bar 3 pcs | C) Wheels 4pcs | D) Spring washer 4-pcs |
| E) Wrench 1pc | F) Bolt 6pcs | G) Allen key 1pc | H) Large basket bottom panel 1pcs |
| I) Large basket side panel 2pcs | J) Plastic clip 60pcs | | |
| K) Small basket bottom panel 4pcs | L) Small basket side panel 8pcs | | |

- 1) Slide Spring washer (D) down the Wheel's bolt(C) attach to L-Legs(A) with Wrench(E)
- 2) Join Legs (A) with 3 Link Bars (B) with Bolt(F) using Allen key(G)
- 3) Join large basket side panels(I) with Large basket bottom (H) using 6pcs plastic clips(J) hang the fixed basket in the bottom hole of the L leg frame
- 4) Install 3 small baskets as in step 3

NEED MORE HELP? CALL 800-999-0771