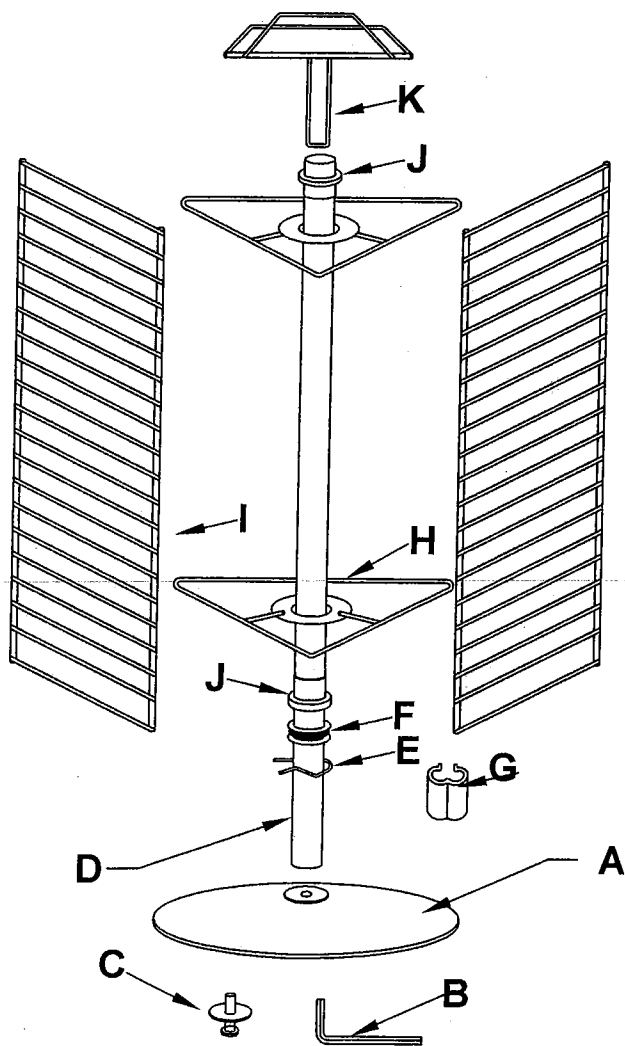


2326 Assembly

1. Fix Pole(D) to the Base(A) with Screw and Wahser(C), Using Wrench(B);
2. Clip the Side Panel(I) with Tnangle Support(H) with Niron Clips(G);
3. Place Cotter Pin(E) into the hole of Pole(D);
4. Slide bearign(F) and Plastic Protection Pipe(J) onto the Cotter Pin, noting tne plastic pipe up;
5. Slide the triangle side panes(the project that step 2 do) through the Pole onto the plastic pipe;
6. Slide 1 pc plastic pipe down the pole into the hole of round plate of Triangle Support;
7. Place the Sign Holder(K) into the Pole.



Part List

- A-Base(1pc)
- B-Wrench(1pc)
- C-Srew Wahser(1set)
- D-Pole(1pc)
- E-Cotter Pin(1pc)
- F-Bearing(1pc)
- G-Niron Clip(18pcs)
- H-Triangle Support(2pcs)
- I-Side Panel(3pcs)
- J-Platic protection pipe(2pcs)
- K-Sign Holder(1pc)