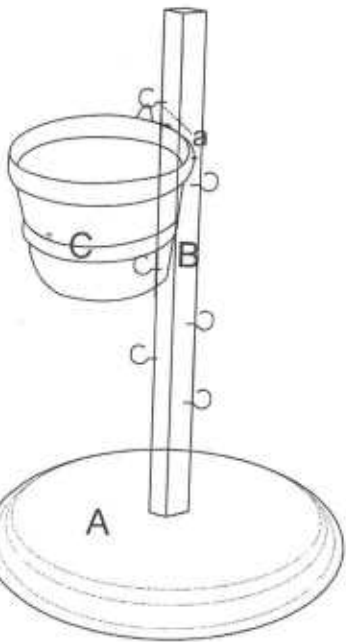
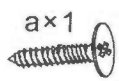


①



③



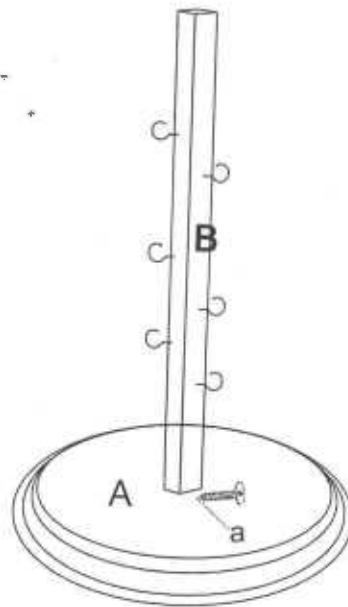
A x 1



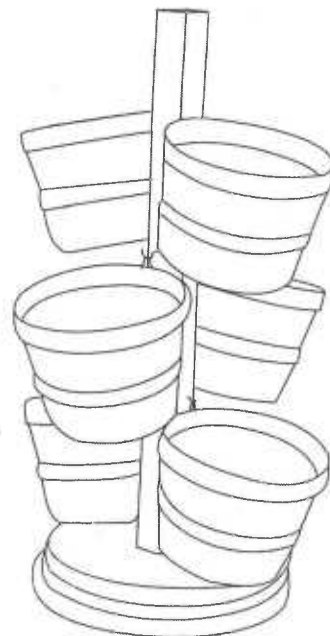
B x 1



C x 6



②



④