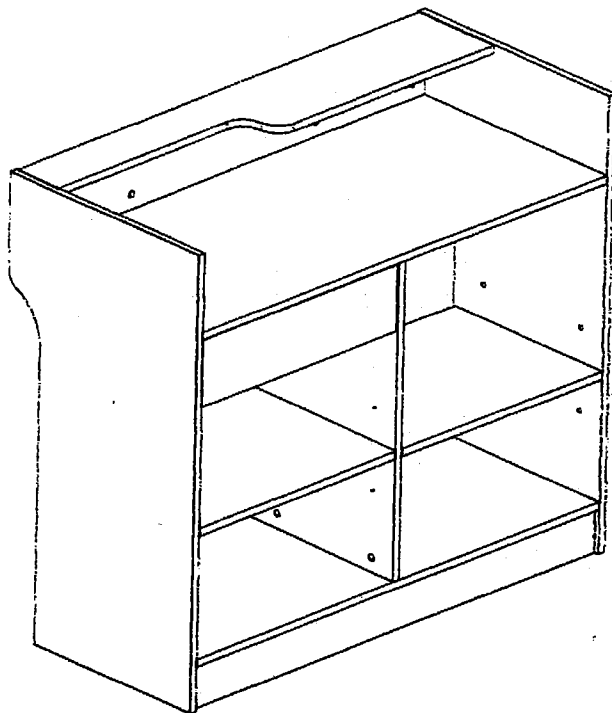


# ASSEMBLY INSTRUCTION

4' LEDGETOP COUNTER  
6' LEDGETOP COUNTER



x46



x46



x4

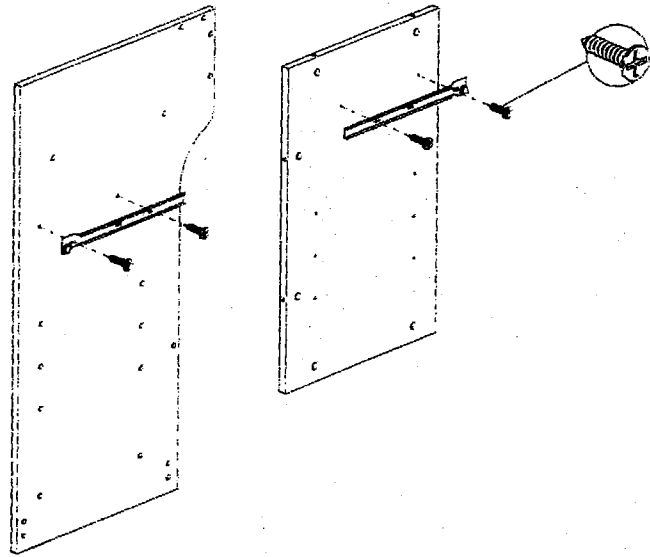


x8

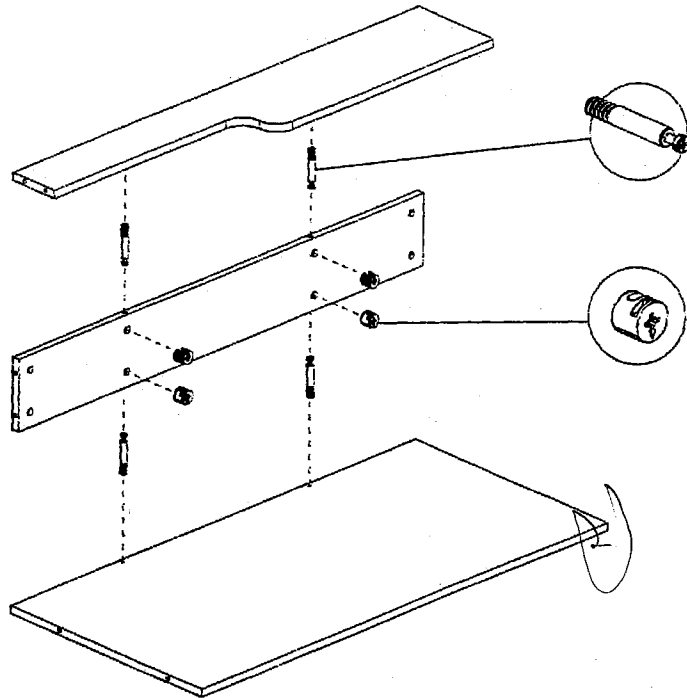


x8

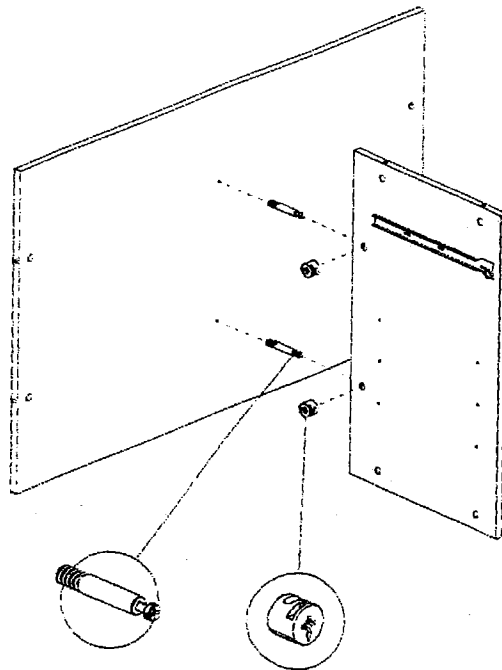
(1)



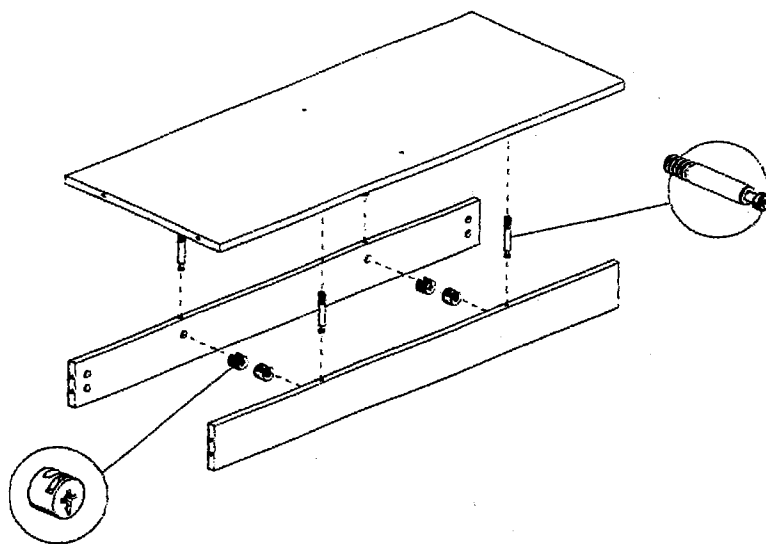
(2)



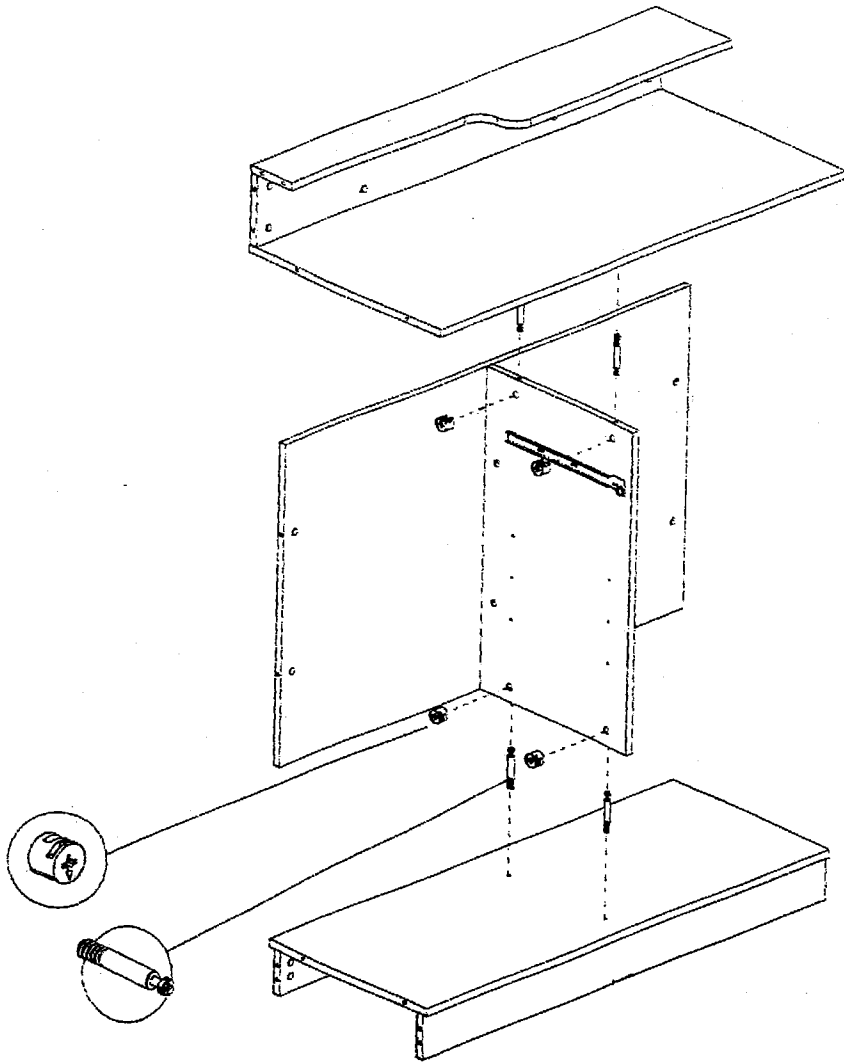
(3)



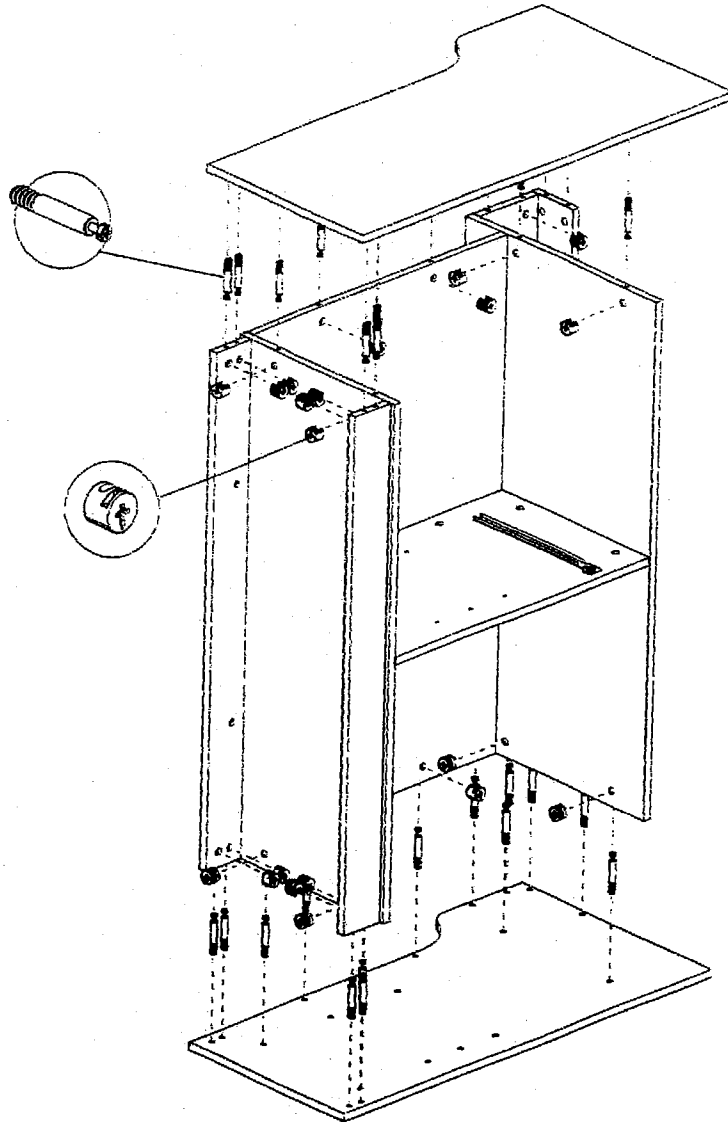
(4)



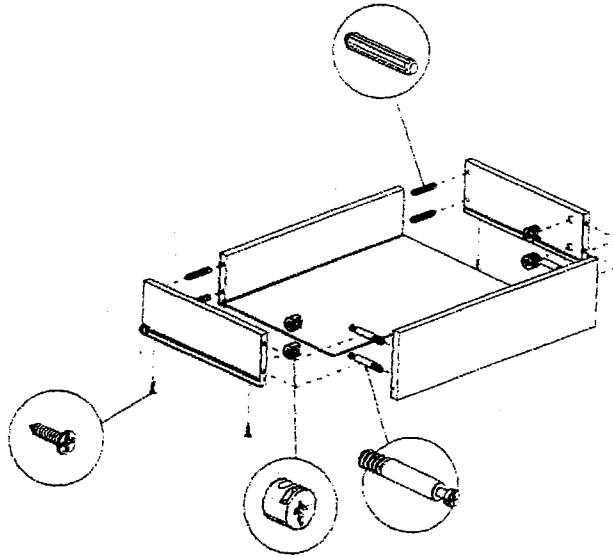
(5)



(6)



(7)



(8)

